

ACCESSORY FITMENT INSTRUCTION

Product

Ford Ranger Double cab side steps

Product no.

150035T , BS-150035

T/N 356



60
Minutes

Models : Double cab

Page 1 of 6

Date : 15-Oct-2019

DIAGRAM



Kit content:

Qty	Description	Qty	Description
12	M10 x 25 sets		
12	M10 x 25 x 2 flat washers		
12	M10 Spring washers		
24	M8 x 25 sets (Black)		
36	M8 x 20 x 1.6 flat washers (Black)		
24	M8 Spring washers (Black)		
12	M8 Hex Nuts (Black)		
2	PF+DF Bracket		
2	PB+DB Bracket (2parts)		
2	PM+DM Bracket (2parts)		
2	Side Steps		

Additional equipment/Material needed for fitment :

Qty	Description	Qty	Description
1	Spanner Set		
1	3/8 Drive set		
1	Socket Set		

Precautions during fitment:

Take care not to damage or scratch parts when removing from the packaging.

Fitment Instruction: Ford Ranger Double cab side steps

Visual / Graphic Illustration

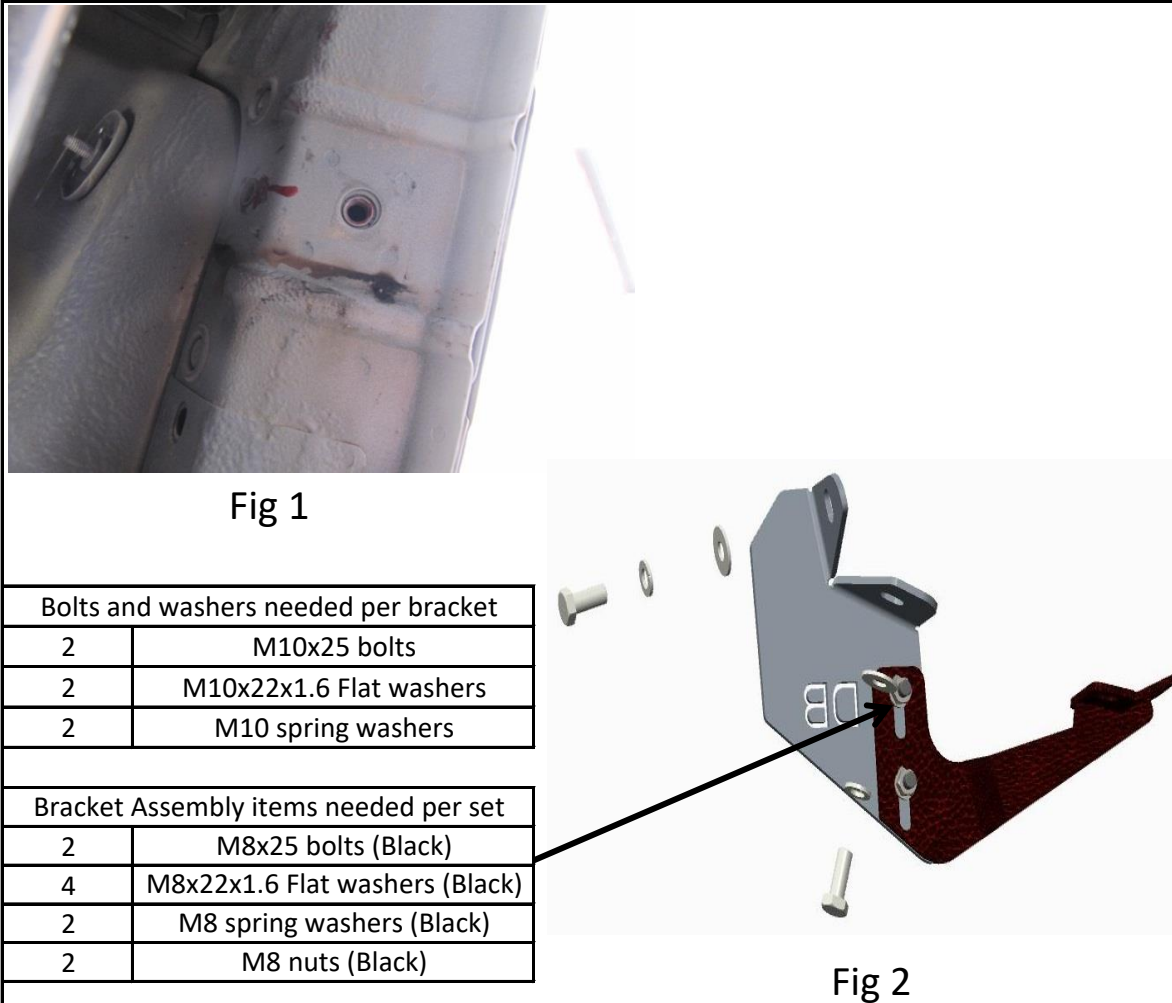


Fig 1

Fig 2

Bolts and washers needed per bracket	
2	M10x25 bolts
2	M10x22x1.6 Flat washers
2	M10 spring washers

Bracket Assembly items needed per set	
2	M8x25 bolts (Black)
4	M8x22x1.6 Flat washers (Black)
2	M8 spring washers (Black)
2	M8 nuts (Black)

Step 1

Description/Method

Locate the two brackets labeled DB, you will need to bolt these together using the bolts, washers, spring washers and nuts provided. Bolt them together as illustrated in Fig 2. Locate the holes as shown in fig 1, there location is near the rear door under the vehicle. Using the given bolts and washers, assemble the back brackets on both sides of the vehicle as shown in fig 2.

The brackets will have PB(passenger Back) or DB(drivers Back) cut out, so you will know which bracket belongs on which side.

Do not fully tighten.

Fitment Instruction: Ford Ranger Double cab side steps

Visual / Graphic Illustration



Fig 3

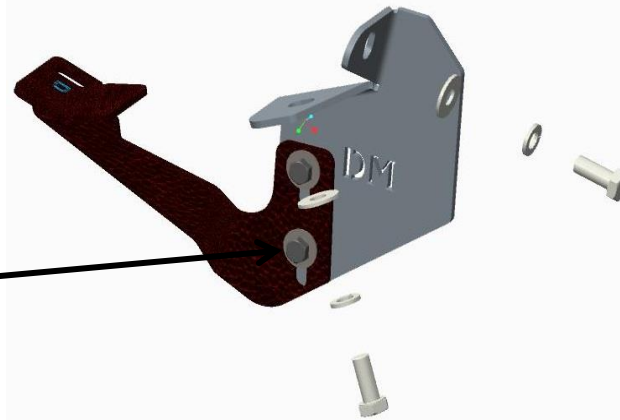


Fig 4

Bolts and nuts needed per bracket	
2	M10x25 bolts
2	M10x22x1.6 Flat washers
2	M10 spring washers

Bracket Assembly items needed per set	
2	M8x25 bolts (Black)
4	M8x22x1.6 Flat washers (Black)
2	M8 spring washers (Black)
2	M8 nuts (Black)

Step 2

Description/Method

Locate the two brackets labeled DM, you will need to bolt these together using the bolts, washers, spring washers and nuts provided. Bolt them together as illustrated in Fig 4. Locate the holes as shown in fig 3, there location is near the middle of the two doors under the vehicle. Using the given bolts and washers, assemble the middle brackets on both sides of the vehicle as shown in fig 4. The brackets will have PM(passenger middle) or DM(drivers Middle) cut out, so you will know which bracket belongs on which side. The Bolt assembly that is already in place holding the two brackets together are used for final height adjustment. Do not fully tighten.

Fitment Instruction: Ford Ranger Double cab side steps

Visual / Graphic Illustration

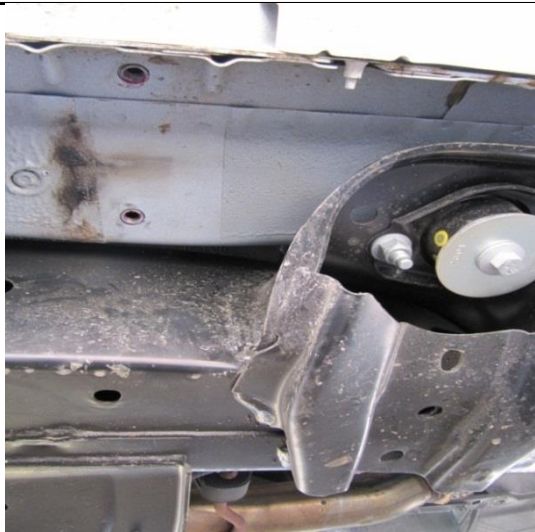


Fig 5

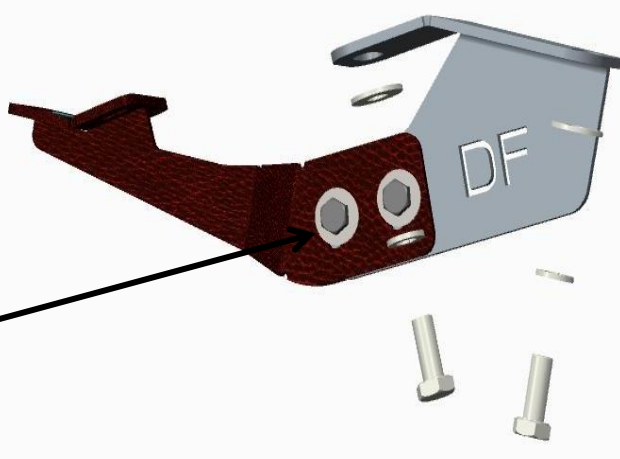


Fig 6

Bolts and nuts needed per bracket

2	M10x25 bolts
2	M10x22x1.6 Flat washers
2	M10 spring washers

Bracket Assembly items needed per set

2	M8x25 bolts (Black)
4	M8x22x1.6 Flat washers (Black)
2	M8 spring washers (Black)
2	M8 nuts (Black)

Step 3

Description/Method

Locate the two brackets labeled DF, you will need to bolt these together using the bolts, washers, spring washers and nuts provided. Bolt them together as illustrated in Fig 6. Locate the holes as shown in fig 5, they can be found by the front doors under the vehicle. Using the given bolts and nuts, assemble the front brackets on both sides of the vehicle as shown in fig 6. The brackets will have PF(passenger front) or DF(drivers front) cut out, so you will know which bracket belongs on which side. The Bolt assembly that is already in place holding the two brackets together are used for final height adjustment. Do not fully tighten.

Fitment Instruction:
Ford Ranger Double cab side steps

Visual / Graphic Illustration

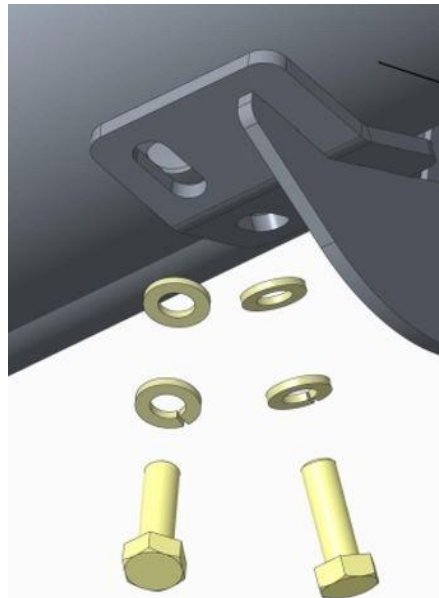


Fig 8

Bolts and washers needed per bracket	
2	M8x25 bolts (Black)
2	M8x22x1.6 Flat washers (Black)
2	M8 spring washers (Black)

Description/Method

Step 4

The last step is to simply assemble the side steps to the brackets you have previously mounted. Just use the given bolts, nuts and assemble as shown in fig 8. The brackets have slots for adjustment.

Final step

Page 6 of 6

Make sure bar is centralised and tighten all fasteners to specified torque. M8= 22Nm , M10= 42Nm , M6= 9Nm.

