

# ACCESSORY FITMENT INSTRUCTION

**Product**

Ford Ranger single cab side steps

**Product no.**

150037T , BS-150037 T/N : 358



60  
Minutes

Models :SCAB

Page 1 of 5

Date :04/03/2020

DIAGRAM



Images used in this fitting instruction may vary from actual product.

Kit content:

	Qty	Description		Qty	Description
A	4	M10x115 Bolts	I	8	M8 hex nuts
B	2	M10x150 Bolts	J	2	Side steps
C	8	M10x30x2 Flat washers	K	2	Front brackets(DS and PS)
D	8	M10 Spring washers	L	2	Back brackets(DS and PS)
E	8	M10 Hex nuts	M	6	Spacers
F	8	M8x25 Sets	N	2	T-bolts
G	16	M8x20x1.6 Flat washers	O	2	Velomoid
H	8	M8 Spring washers	P		

Additional equipment/Material needed for fitment :

Qty	Description	Qty	Description
	Ratchet set		
	Spanner Set		
	Torque Wrench		

Precautions during fitment:

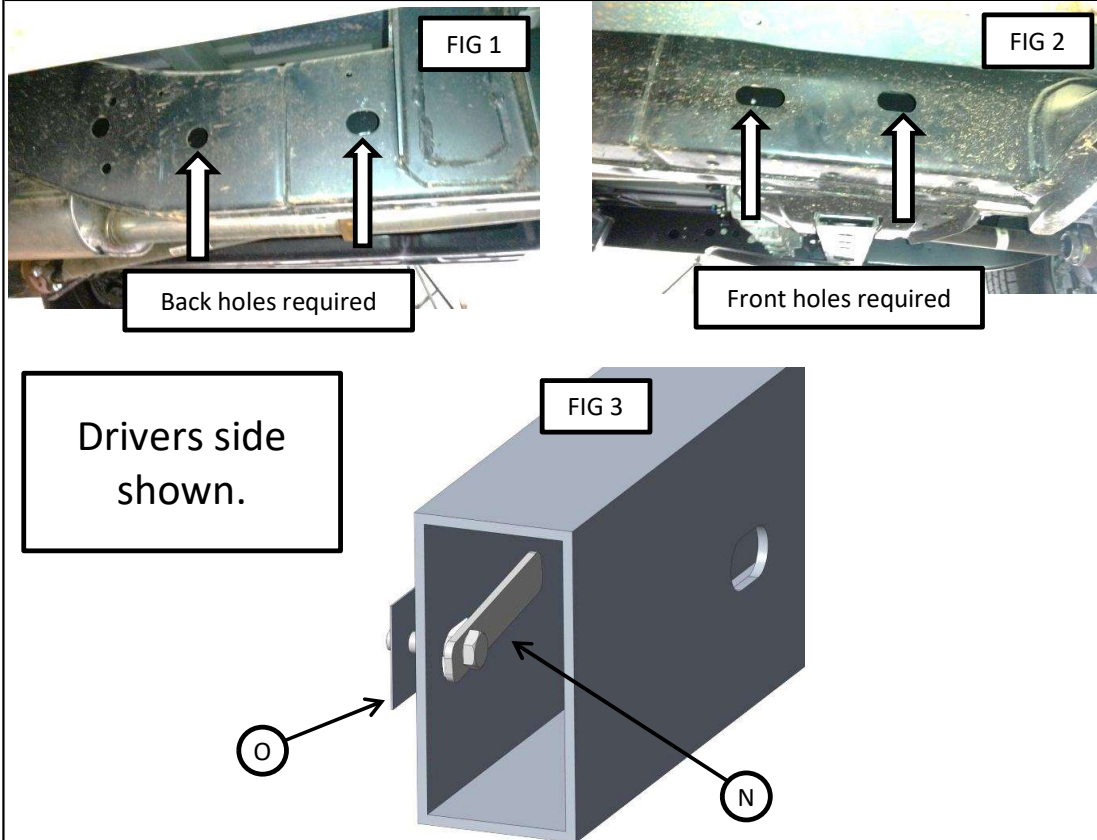
Make sure not to scratch or damage the vehicle in any way. Do not scratch the parts when unboxing.

Directions for use:

This fitting instruction shows the installation on the drivers side of the vehicle, do the same to the passengers side. Follow steps labelled 1 - 8.

## Fitment Instruction: Ford Ranger single cab side steps

Visual / Graphic Illustration



Step #

Description/Method

Step 1

Locate the holes on the chassis required for fitment.  
Shown in Fig 1 and Fig 2.

Step 2

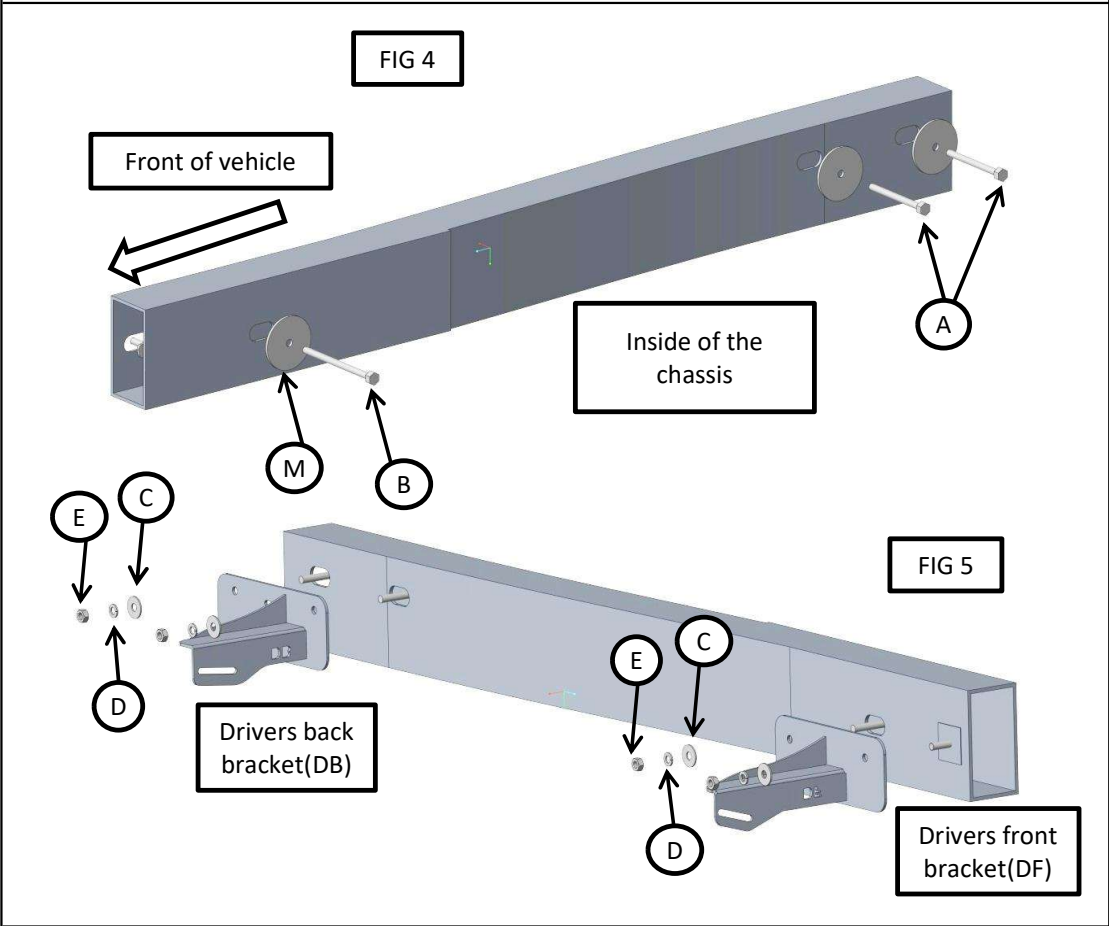
The hole closest to the front of the vehicle requires a T-bolt. Insert the T-bolt into the hole so that the bolt is sticking out of the hole. Place velomoid over the thread of the bolt to avoid letting the T-bolt fall inside the chassis. Shown in Fig 3.

# Fitment Instruction: Ford Ranger single cab side steps

Visual / Graphic Illustration

Step #

Description/Method



Step 3

The other three holes use a spacer and a bolt. Shown in Fig 4. The spacers and bolts will go on the inside and go through the chassis.

Step 4

Attach the brackets to the T-bolt and the bolts. Bracket labelled DF is for the drivers front and the bracket labelled DB is for the drivers back. Shown in Fig 5. Do not fully tighten.

## Fitment Instruction: Ford Ranger single cab side steps

Visual / Graphic Illustration

Step #

Description/Method

Step 5

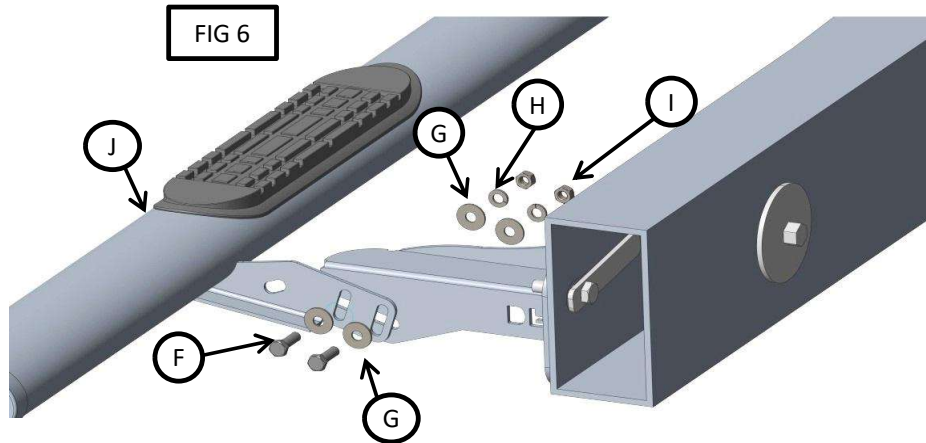
Attach the side step to the brackets. The front bracket is shown, do the same to the back bracket. Shown in Fig 6. Do not fully tighten.

Step 6

Make sure side steps are centralized and level.

Step 7

Tighten all equipment to the specified torque.



Images used in this fitting instruction may vary from actual product.

## Final step

Page 5 of 5

Make sure bar is centralised and tighten all fasteners to specified torque. M8= 22Nm , M10= 42Nm , M6= 9Nm.

