

ACCESSORY FITMENT INSTRUCTION

Product

Raptor sports bar

Product no:

150049T & BS-150049



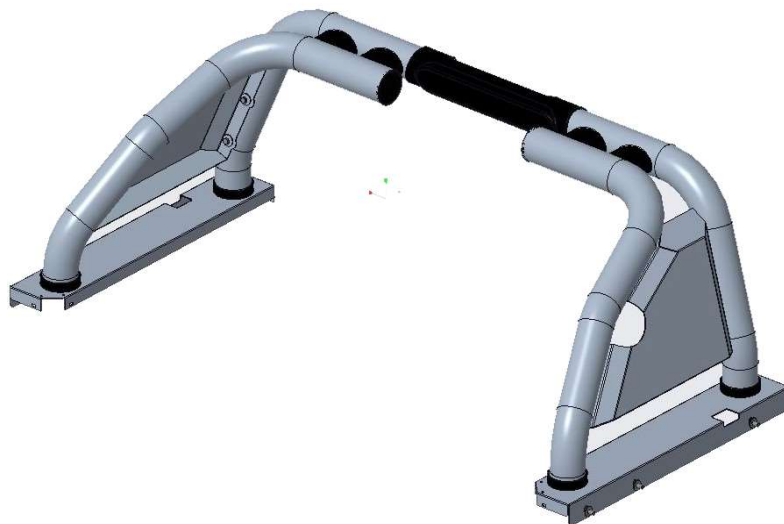
60
Minutes

Models : 2019 DC, CC and SC

Page 1 of 6

Date : 19/05/2019

DIAGRAM



Kit content:

	Qty	Description		Qty	Description
A	16	M8x25 Set	M	4	M10 Spring Washer
B	10	M8x16x1.6 flat washer (Black)	N	16	M8 Plastic caps (Covers)
C	16	M8 Spring washers (Black)	O	2	M6 Plastic caps (Covers)
D	4	M8 Spring washers	P	6	M8x25x2 Flat washer (Black)
E	6	M8 Hex nuts	Q	1	Front tube
F	4	M8x90 Sets	R	2	Rear tubes
G	10	M8x25x2 Flat washer	S	2	LHS + RHS Base plates
H	2	M6x20 Set	T	2	LHS + RHS Side plates
I	2	M6 Spring Washers (Black)	U	4	Feet rubbers
J	2	M6 Flat Washer (Black)	V	2	Plastic end caps
K	4	M10 Nuts	W	4	Top mount rubbers
L	4	M10 Flat Washers			

Additional equipment/Material needed for fitment :

Qty				
1	Torque wrench	1	Centre Punch	
1	Spline key set	1	Marking pen	
1	Measuring tape			
1	Drill + drill bits			
1	Tectyl			

Precautions during fitment:

Do not scratch the vehicle during fitment. Do not scratch sports bar when unpacking and during fitment.

Directions for use:

The sports bar should already be assembled. This fitting instruction will mount the base plates and secure the sports bar.

Fitment Instruction:

Special edition Raptor sports bar

Visual / Graphic Illustration

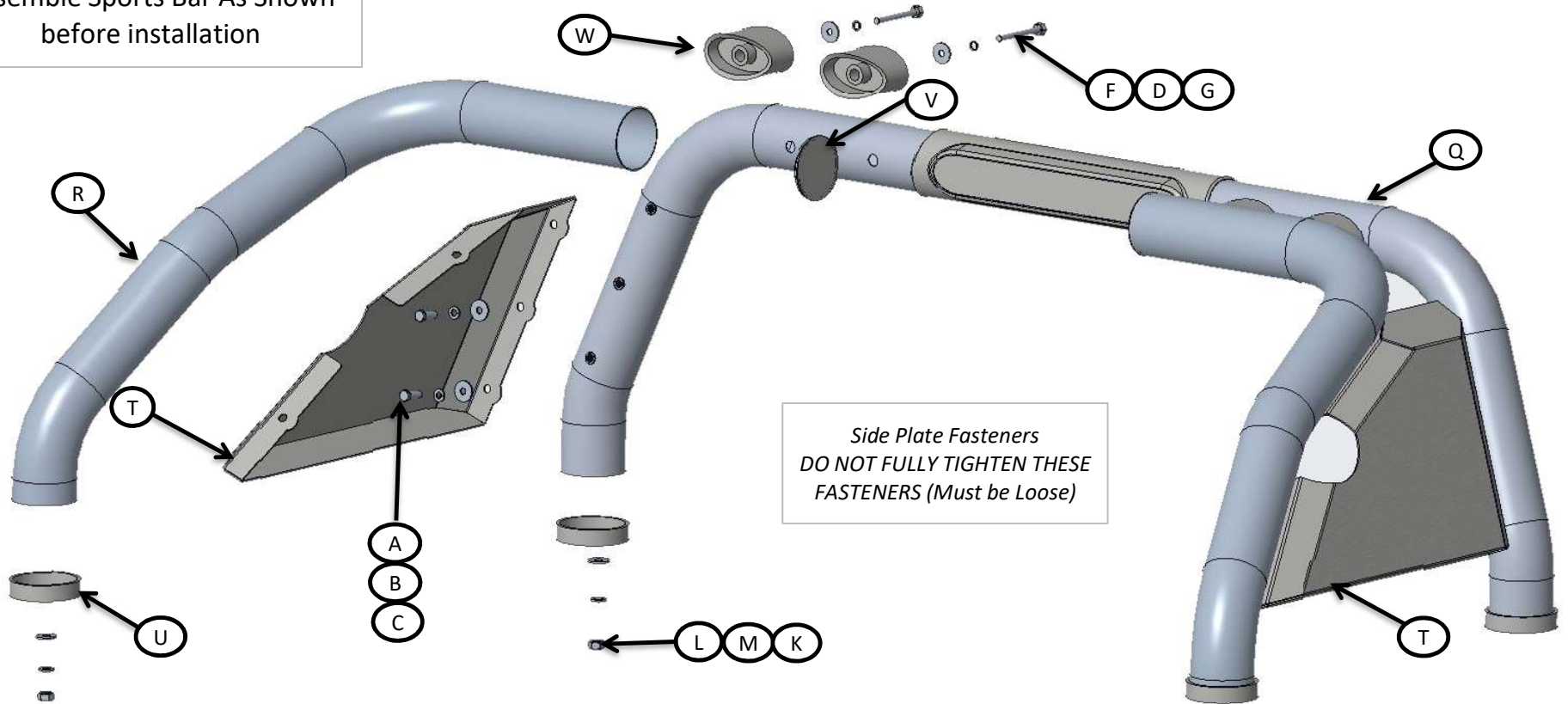
Step #

Description/Method

1

Galv. Fasteners

Assemble Sports Bar As Shown before installation



Side Plate Fasteners
DO NOT FULLY TIGHTEN THESE
FASTENERS (Must be Loose)

Fitment Instruction:
Special edition Raptor sports bar

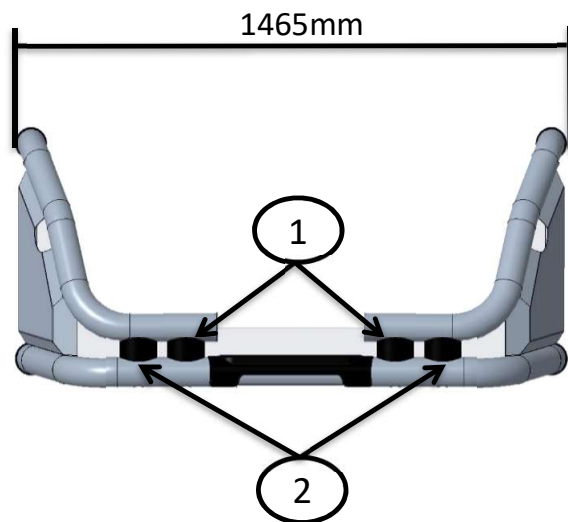
Visual / Graphic Illustration

Step #

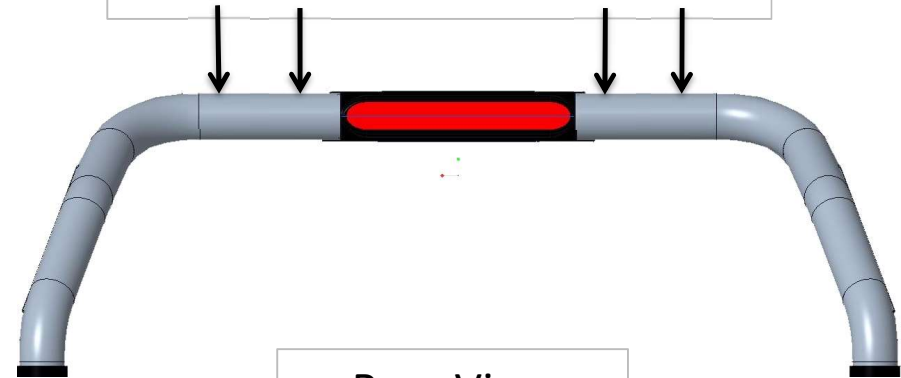
Description/Method

2

Rear View



Rear bars to Be Level with Front Bar before
Tightening Fully

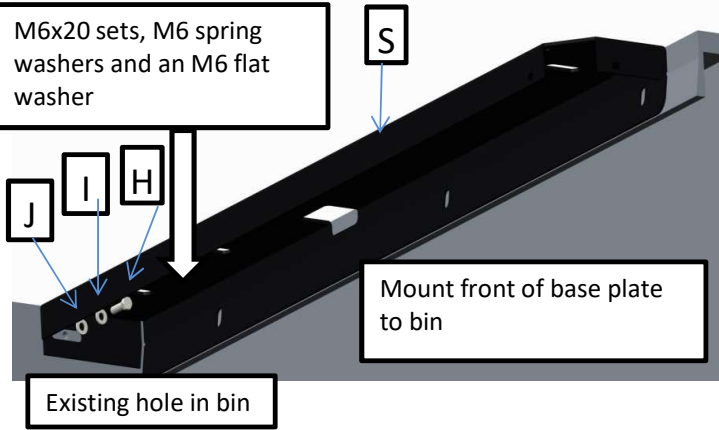


Rear View

1. Tighten Inside Rubbers to Pull Rear Bars Inwards until Rear bars have an outside to outside dimension of 1465mm
2. Tighten Outside Rubbers till bars are level.

Fitment Instruction: Special edition Raptor sports bar

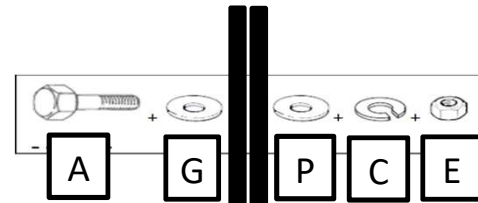
MARK, DRILL AND MOUNT




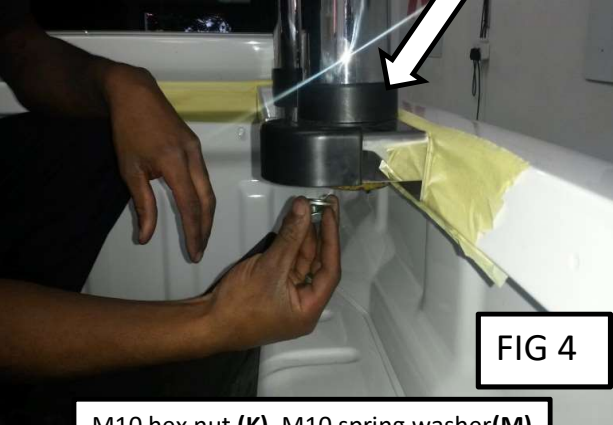
Mark and drill holes to 9mm



Apply tectyl to holes to prevent rust



Fitment Instruction: Special edition Raptor sports bar

 <p style="text-align: center;">FIG 2</p> <p style="text-align: center;">Place rubbers on to sports bar first to avoid scratching the base</p>	4	<p>Place the Sports bar on top of the base plates, before mounting the sports bar tighten the bolts on the side plates FIG 2.</p>
<p>Please NB: When installing a tonneau cover with this sports bar. Please avoid tightening the sports bar to the base plates until the tonneau cover is fitted and secure. By having the sports bar loose you will have room for adjustment on the tonneau. Once the cover is fitted then tighten sports bar</p>  <p style="text-align: center;">FIG 4</p> <p style="text-align: center;">M10 hex nut (K), M10 spring washer(M) and a M10 flat washer (L).</p>	5	<p>Using the hardware specified(FIG 4), tighten loosely.</p>

Final step

Page 6 of 6

Make sure bar is centralised and tighten all fasteners to specified torque. M8= 22Nm , M10= 42Nm , M6= 9Nm.

