

ACCESSORY FITMENT

Product

FORD ECOSPORT SIDE BARS STAINLESS

Tracking no.

(150062T) (Tracking No. 156)



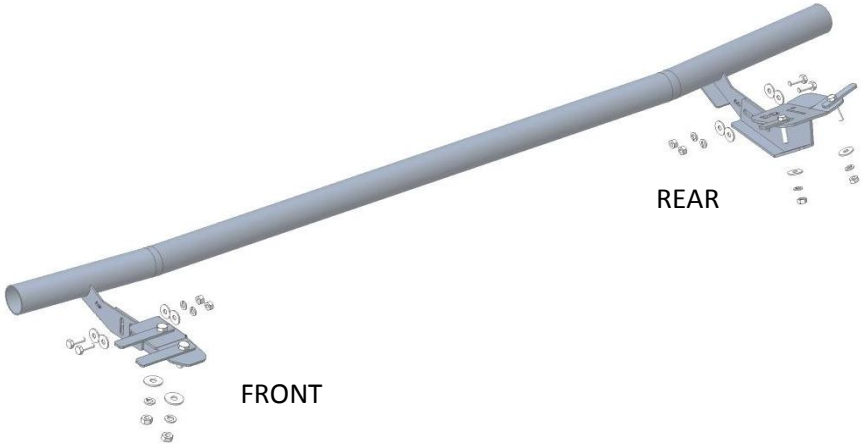
60
Minutes

Models : 2014 - 2018

Page 1 of 5

Date :7-Aug-2018

DIAGRAM



FRONT

REAR

Driver's Side Bar Shown

Velamoid



Kit content:

Qty	Description	Qty	Description
8	m8x25 sets	4	M10 T-Bolts
20	m8x22x1.6 flat washers	2	M8 T-Bolt
12	m8 spring washers	2	M8 T-Bolt (slightly bigger than above T-Bolt)
12	m8 hex nuts	2	Passenger brackets (labelled PF and PB)
4	m10 hex nuts	2	Drivers brackets (labelled DF and DB)
4	m10 spring washers	8	Velamoid
4	m10x25x2 flat washers	2	Spacers

Additional equipment/Material needed for fitment :

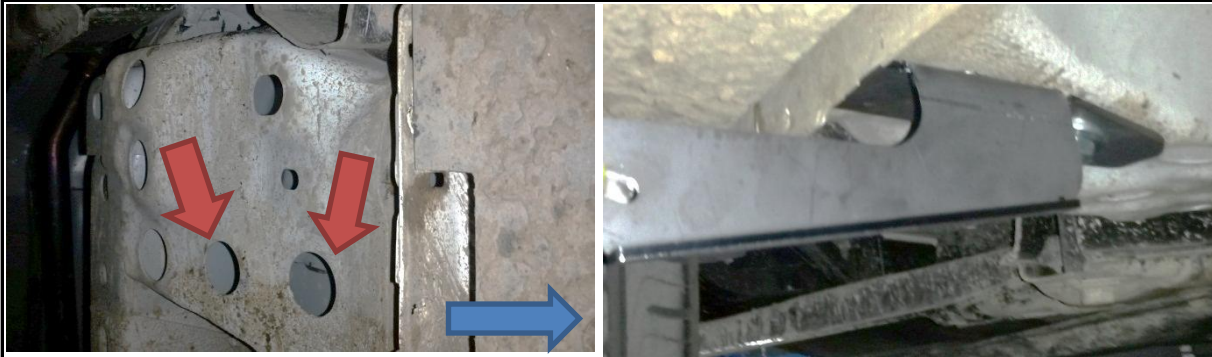
	Socket Set		
	Ring Spanner Set		

Precautions during fitment:

Ensure that your workmanship is of the highest professional standard and that you do not scratch or damage the vehicle or accessory to be fitted. Take care not to scratch the parts when removing from the packaging

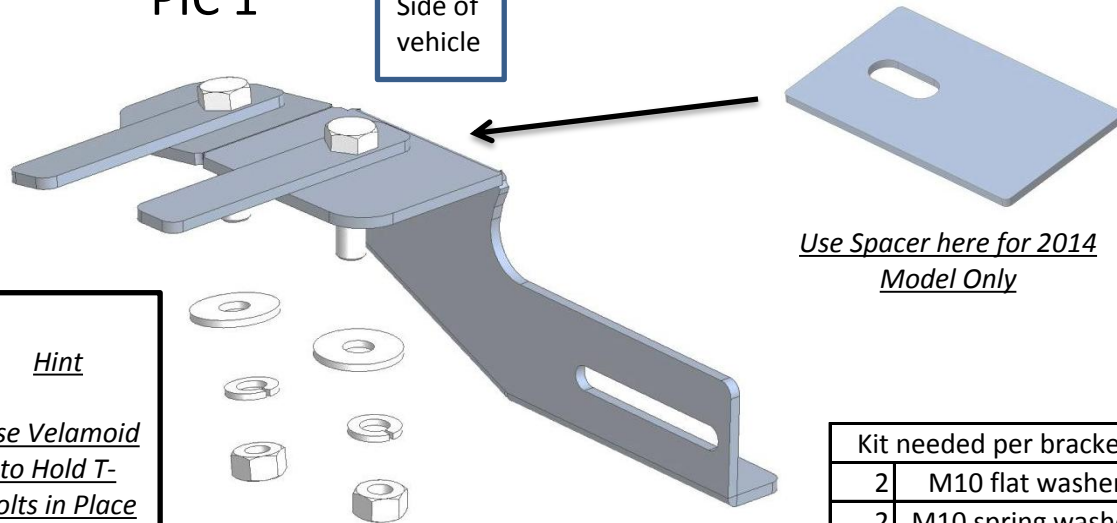
Fitment Instruction: Ecosport Side bars Stainless (2014-2018)

Visual / Graphic Illustration



PIC 1

Side of vehicle



Hint
Use Velamoid to Hold T-Bolts in Place

Kit needed per bracket	
2	M10 flat washer
2	M10 spring washer
2	M10 hex nut

Step #

Description/Method

Step 1

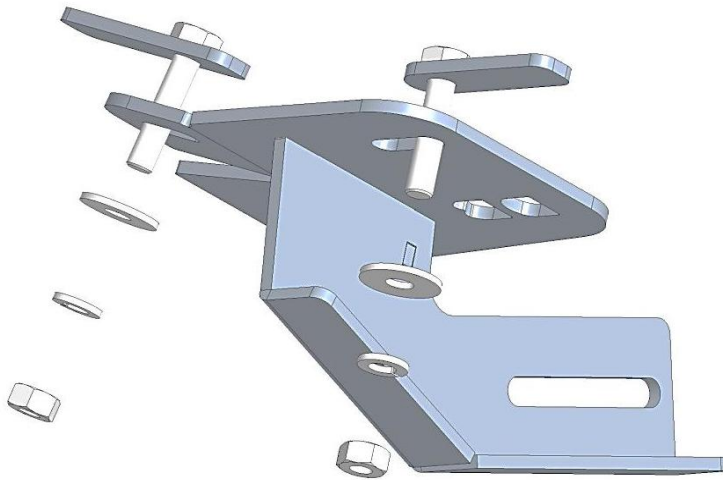
On the passanger side near the front of the vehicle you will find the holes shown in pic 1. Insert the T-Bolts into the holes(Shown with an arrow). Using the kit shown in the picture mount the plate labelled PF to these T-Bolts so that the bracket is sticking out the side of the vehicle. Do not tighten fully. Do the same to the drivers side of the vehicle using the bracket labelled DF.

Fitment Instruction: Ecosport Side bars Stainless (2014-2018)

Visual / Graphic Illustration



PIC 2



Hint

Use
Velamoid to
Hold T-Bolts
in Place

Kit needed per bracket	
2	M8 flat washer
2	M8 spring washer
2	M8 hex nut

Step #

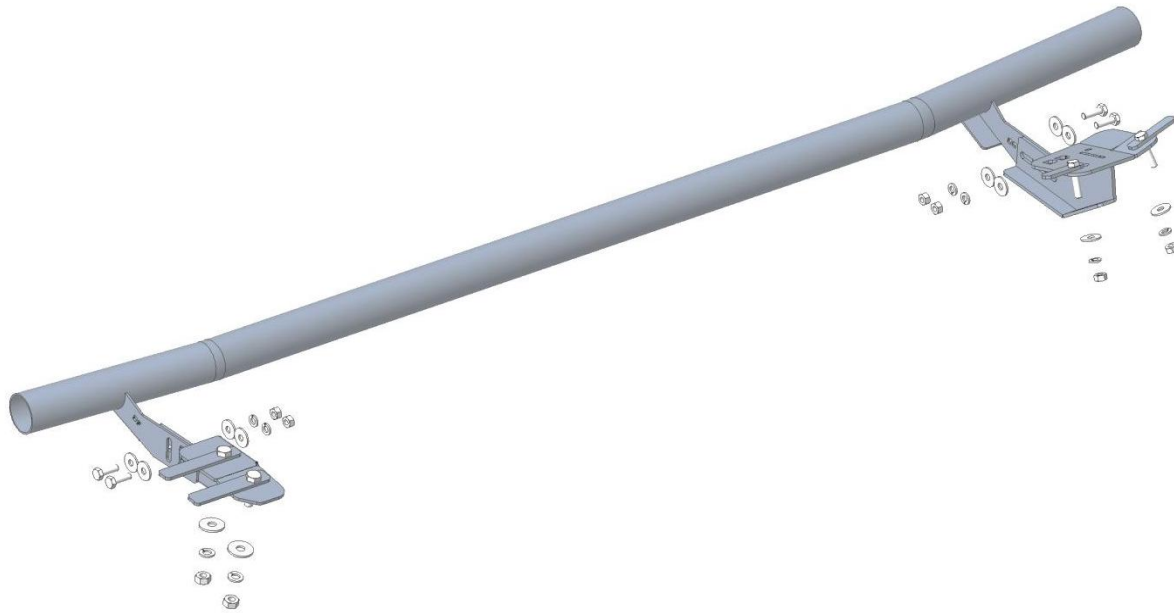
Description/Method

Step 2

The process for the back bracket is similar to how you installed the front bracket. Locate the holes shown in PIC 2 towards the rear of the vehicle. Using the M8 T-Bolts insert them into the holes (shown by the arrow). The Hole that is slotted will use the larger M8 T-Bolt. Using a kit shown in the picture mount the plate labelled PB to these T-Bolts so that the bracket is sticking out the side of the vehicle. Do not tighten fully. Do the same to the drivers side of the vehicle using the bracket labelled DB.

Fitment Instruction: Ecosport Side bars Stainless (2014-2018)

Visual / Graphic Illustration



Kit needed per bracket

2	M8x25 Sets
4	M8 flat washers
2	M8 spring washers
2	M8 hex nuts

Step #

Description/Method

Step 3

Now that all the brackets are mounted. The next step is to mount the side bars. The side bar will have two plates welded to the tube, the one with the small hole in it goes to the front of the vehicle. The side bars will mount on the outsides of the brackets already mounted. Using the kit shown to the left assemble the side bars.