

# ACCESSORY FITMENT

**Product**

VW Crafter Side Step

**Part no.**

(250047T, BS-250046 )(BS-250046)(VW-CRFT-SSB) (Tracking No. 97)



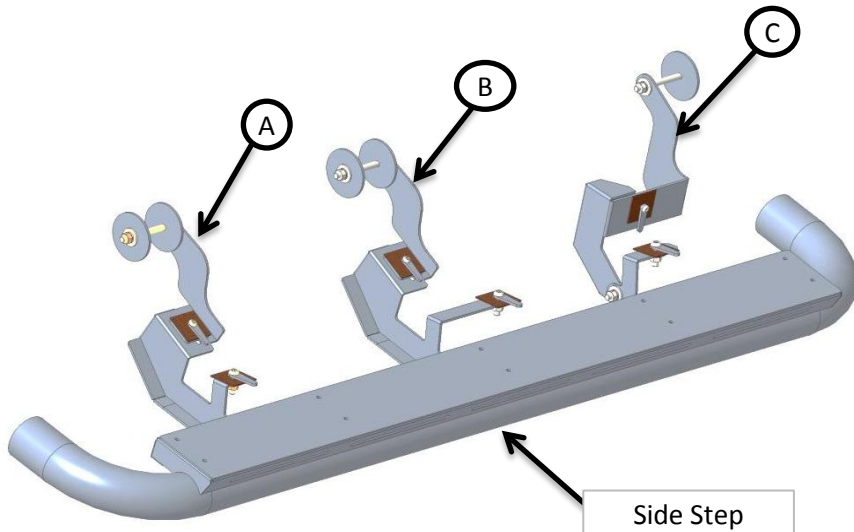
45  
Minutes

Models : VW Crafter 2018

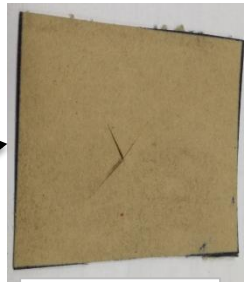
Page 1 of 6

Date : 28-Mar-2018

## DIAGRAM



Use Velamoid to Hold T-Bolt in place



Velamoid

## Kit content:

	Qty	Description		Qty	Description
A	1	Front Bracket	J	2	M10 Bolt, 115mm Long
B	1	Middle Bracket	K	20	M10 Flat Washer $\phi 30$ x 2mm THK
C	1	Rear Bracket	L	2	Spacers 50 x 50 x 5mm THK
D	1	Rear Bracket Attachment	M	13	M10 Hex Nylock Nut
E	5	Spacers $\phi 80$ x 4mm THK	N	7	M10 Set Screws, 30mm Long
F	6	Velamoid	O	3	M8 Flat Washers
G	3	T-Bolt, M10 x 40 Button Head	P	3	M8 Hex Nylock Nut
H	3	T-Bolt, M8 x 40 Button Head			
I	1	M10 Bolt, 160mm Long			

## Additional equipment/Material needed for fitment :

Qty		Qty	
	Socket & Ratchet Set		
	Spanner Set		

## Precautions during fitment:

Do not Cause any Damage to the Vehicle

Ensure that you are wearing the correct PPE Clothing during Installation.

## Directions for use:

Read all Instructions Carefully Before Installation.

## Fitment Instruction:

Visual / Graphic Illustration

Step #

Description/Method



Fig 1

PS of Vehicle Showing  
Mounting Positions under  
Sliding Door

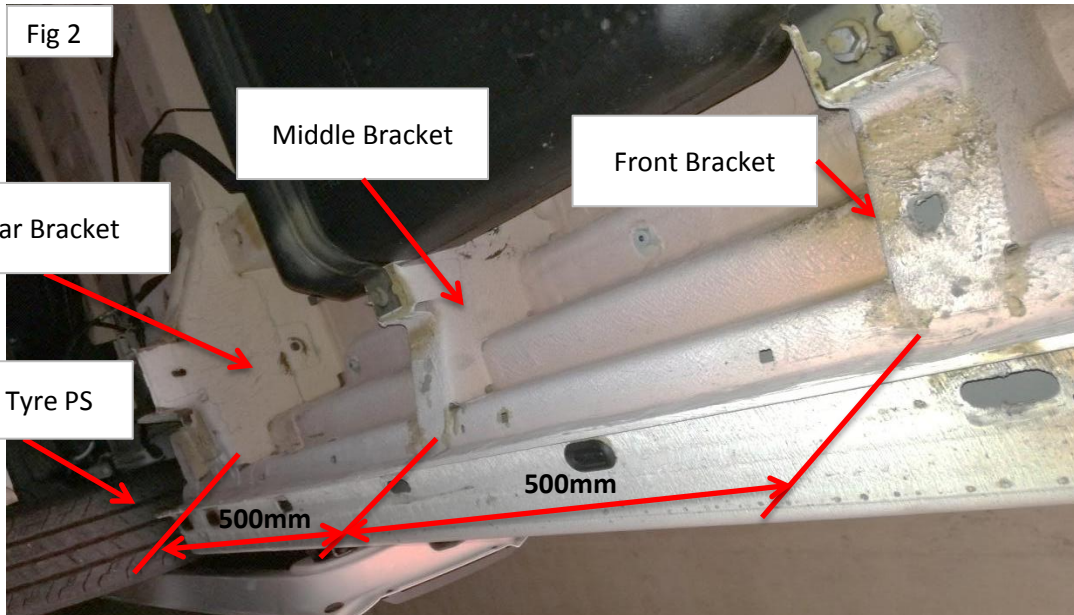


Fig 2

Middle Bracket

Front Bracket

Rear Bracket

Rear Tyre PS

500mm

500mm

Picture Taken from underneath vehicle below the sliding

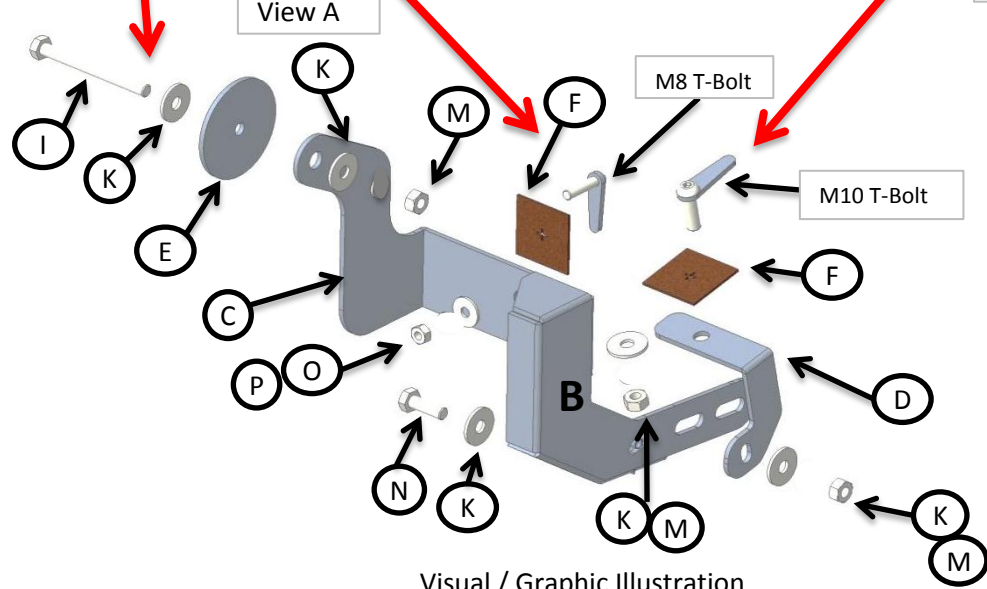
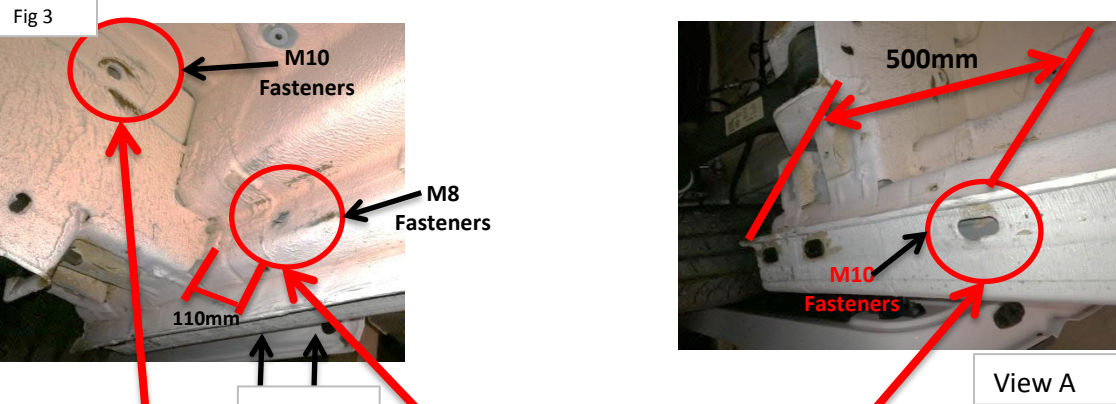
1

Locate mounting Positions as shown in Figure 1 & Figure 2.

Visual / Graphic Illustration

## Fitment Instruction:

### Visual / Graphic Illustration

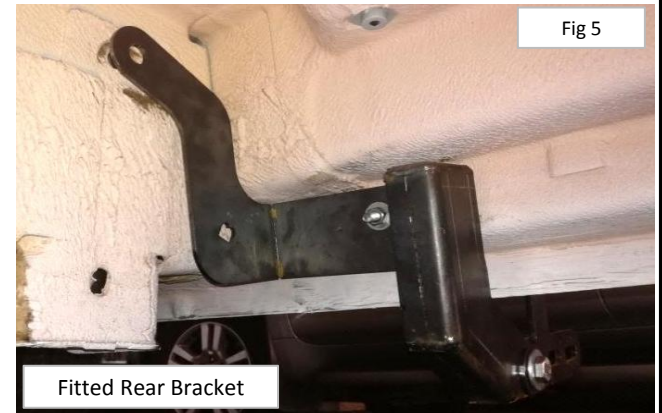


Visual / Graphic Illustration

Step #	Description/Method
2	Locate Rear Bracket Mount Position From Instruction 1 and remove Rubber Cap as shown in Figure 3, "View A" and Figure 4.
3	Locate Rear Bracket Mount Position from Instruction 1 and Fit Rear Bracket with marking "B" as shown in Figure 3, View A and Figure 5.



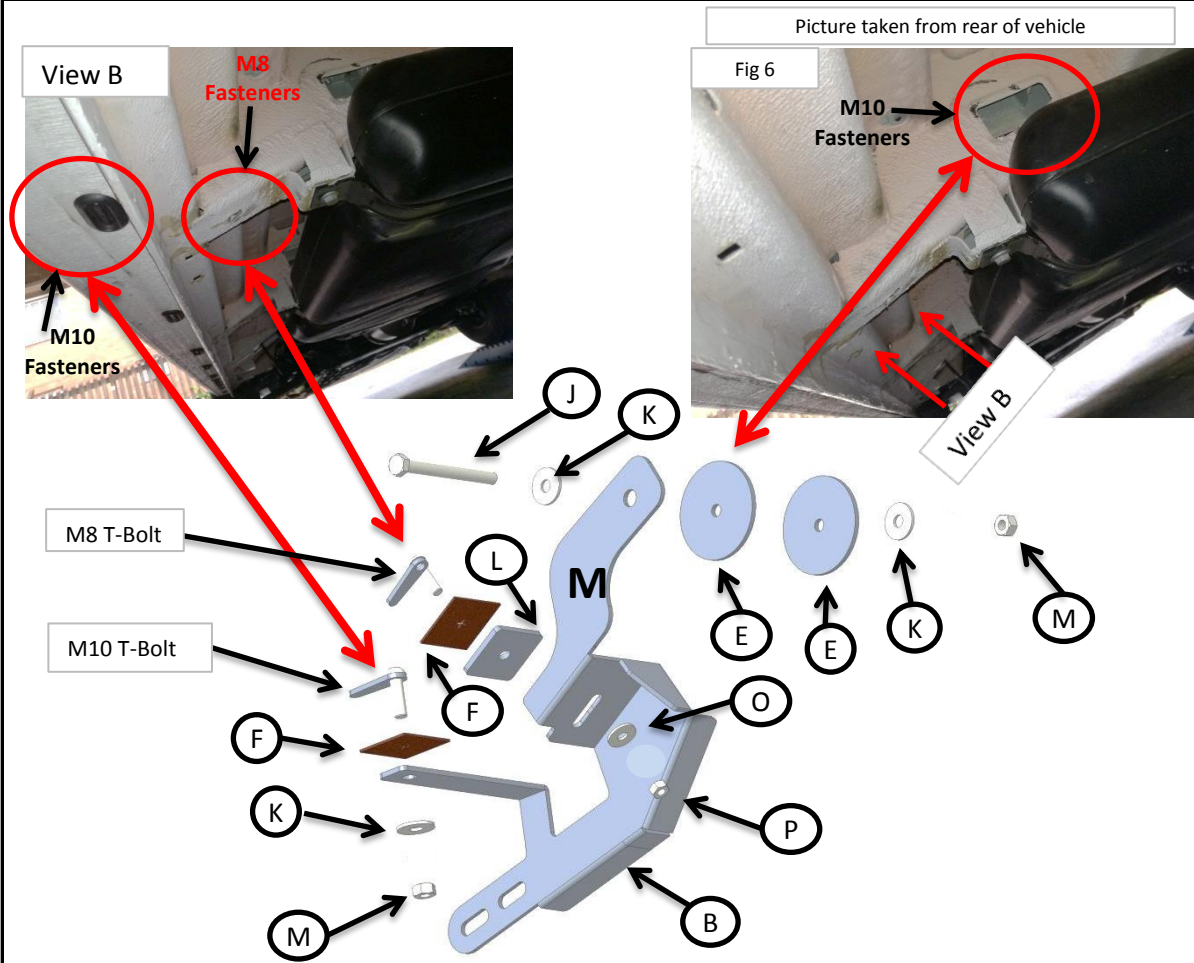
Rubber Cap



Fitted Rear Bracket

## Fitment Instruction:

### Visual / Graphic Illustration



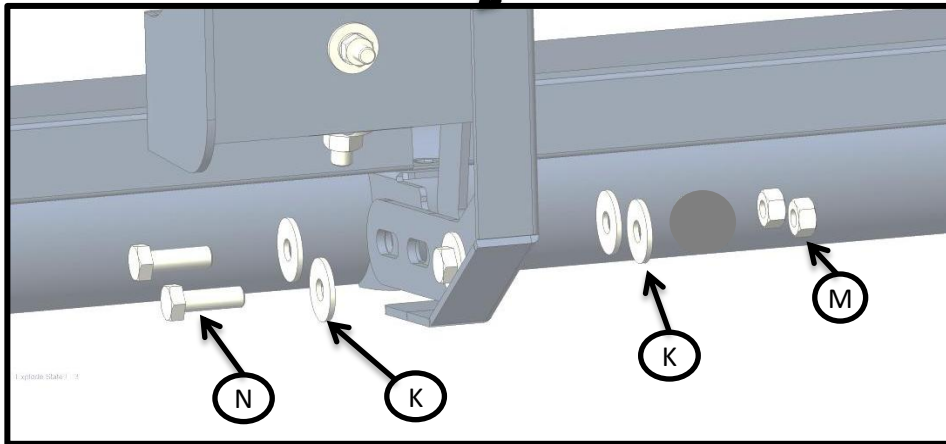
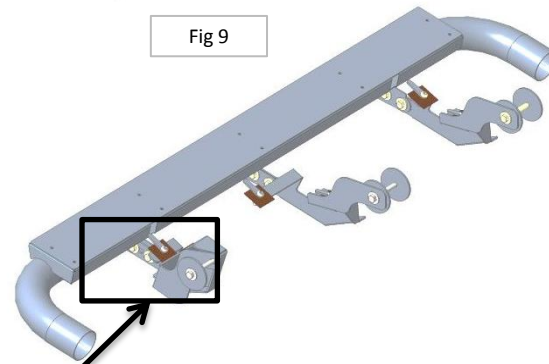
Visual / Graphic Illustration

Step #	Description/Method
4	Locate Middle Bracket Mount Position From Instruction 1 and remove Rubber Cap as shown in Figure 6 & "View B".
5	Locate Middle Bracket Mount Position from Instruction 1 and Fit Middle Bracket with marking "M" as shown in Figure 6, View B and Figure 7.



## Fitment Instruction:

Visual / Graphic Illustration



Visual / Graphic Illustration

Step #

Description/Method

6

Locate Front Bracket Mount Position From Instruction 1.

7

Fit the Front Bracket with marking "F" to the position shown in figure 8 the same as you fit the Middle Bracket.

8

With the brackets mounted, Fit the side step as shown in Figure 9.

9

Complete

## Final step

Page 6 of 6

Make sure bar is centralised and tighten all fasteners to specified torque. M8= 22Nm , M10= 42Nm , M6= 9Nm.

