

ACCESSORY FITMENT

Product

VW Crafter Rear Bumper Protector

Part no.

BM-250047,250047T (Tracking No. 85)



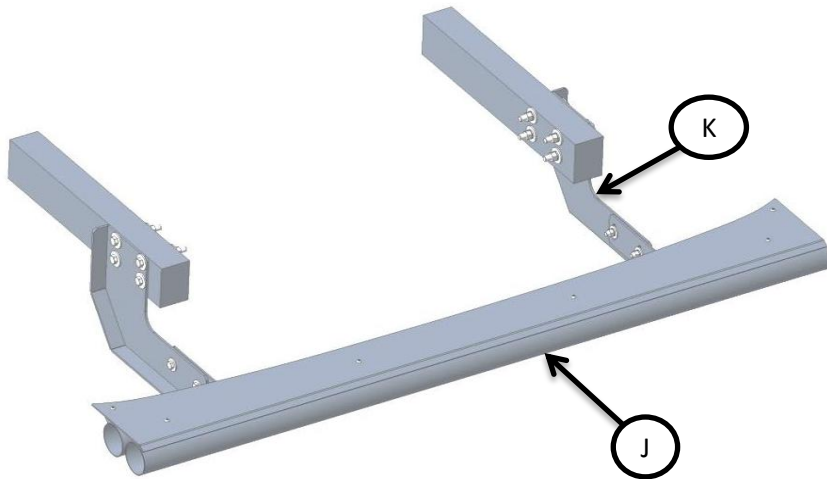
30
Minutes

Models : VW Crafter 2018

Page 1 of 4

Date : 15-Feb-2018

DIAGRAM



Kit content:

	Qty	Description		Qty	Description
A	8	M12 Bolt x 110mm Long	I	4	M10 Hex Nut & Screw Cap covers
B	16	M12 x ø30 x 3mm Flat Washers	J	1	Rear Step
C	8	M12 Spring Washers	K	2	Chassis Mount Brackets
D	8	M12 Hex Nuts			
E	4	M10 x 35mm Long x 1.5 Set Screw			
F	8	M10 x ø30 x 2mm THK Flat Washers			
G	4	M10 Spring Washers			
H	4	M10 Hex Nuts			

Additional equipment/Material needed for fitment :

Qty		Qty	
	Socket & Ratchet Set		
	Spanner Set		
	Level		
	Masking Tape		

Precautions during fitment:

Do not Cause any Damage to the Vehicle, Apply Masking Tape to the Rear Bumper to prevent damages.

Ensure that you are wearing the correct PPE Clothing during Installation.

Directions for use:

Read all Instructions Carefully Before Installation.

Fitment Instruction: VW Crafter Rear Bumper Protector

Visual / Graphic Illustration



Figure 1

Rear View



Figure 2

Driver's Side View



Figure 3

Tow Eye Location

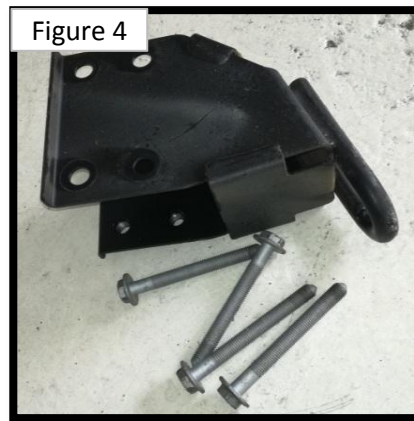


Figure 4

Tow Eye

Visual / Graphic Illustration

Step #

Description/Method

1

Locate Tow Eye at the Driver's Side Rear of the Vehicle as shown in Figure 1, Figure 2 & Figure 3

2

Remove Tow Eye to expose Chassis Mounting Positions Figure 4.

3

Fit Chassis Mount Brackets as shown in Next Page

4

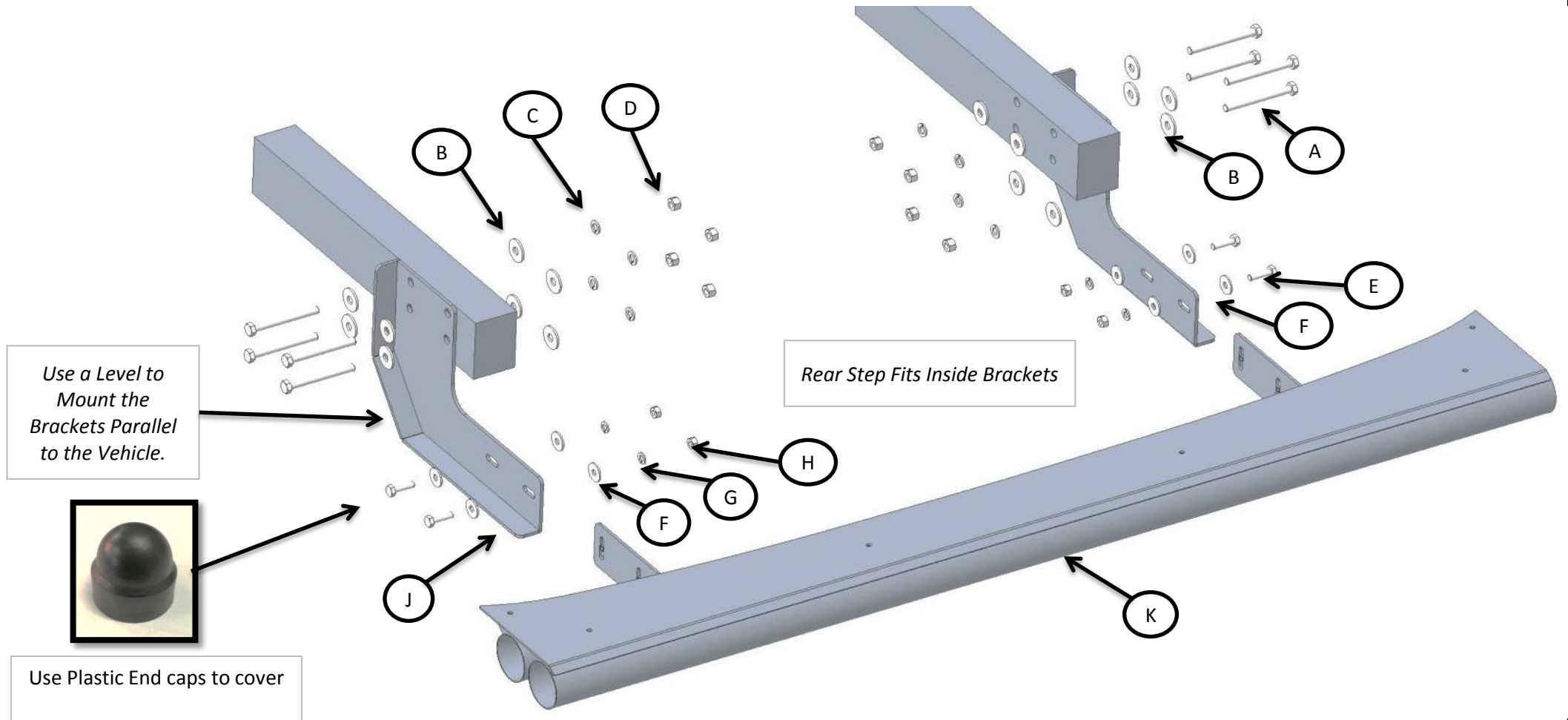
Fit Rear Step as shown in Next Page

Fitment Instruction: VW Crafter Rear Bumper Protector

Visual / Graphic Illustration

Step #

Description/Method



Make sure bar is centralised and tighten all fasteners to specified torque. M8= 22Nm , M10= 42Nm , M6= 9Nm.

