

# ACCESSORY FITMENT

**Product**

Toyota Hilux Spartan Rear Step

**Tracking no.**

80077T, BS80077 (Tracking 94)



60  
Minutes

Models : DC

Page 1 of 4

Date : 9/3/2018

DIAGRAM

Kit content:

	Qty	Description		Qty	Description
A	4	M12x45 x1.25 Sets			
B	4	M12 Spring washers			
C	4	M12 flat washers			
D	2	Spacers			

Additional equipment/Material needed for fitment :

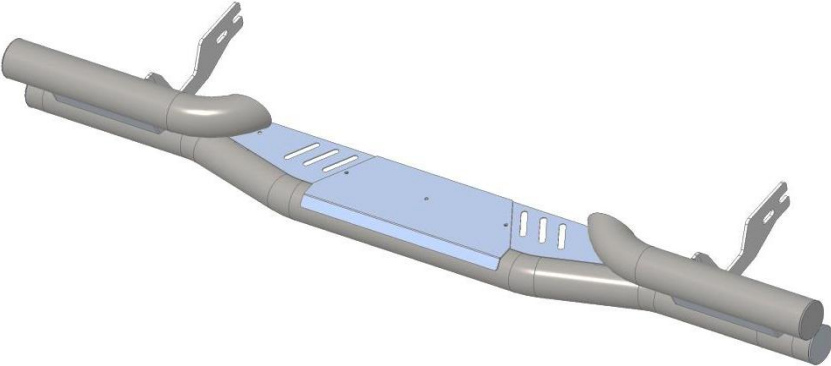
Qty		Description	Qty	
1		Spanner Set		
1		Torque wrench		

Precautions during fitment:

Ensure you have an adequate working space. Requires two people for fitment. Ensure that the correct tools and appropriate clothing are used whilst installation.

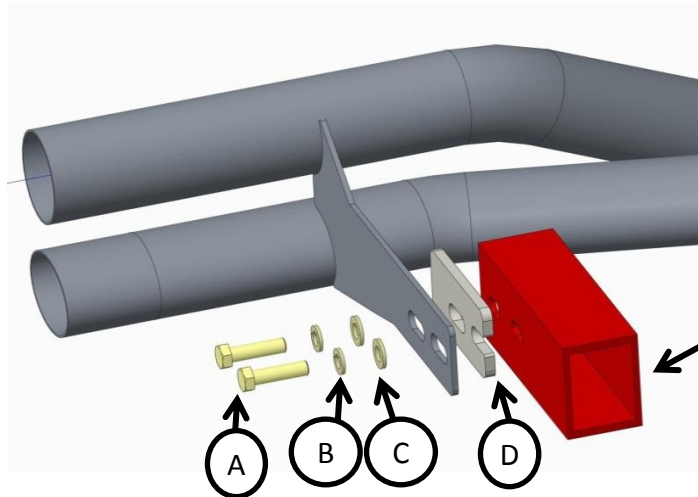
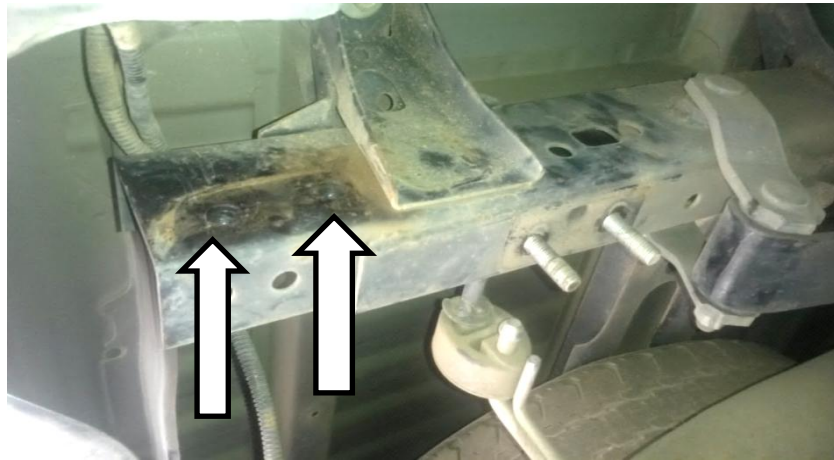
Directions for use:

Please follow the steps below, numbered 1 to #.



## Fitment Instruction: Toyota Hilux Spartan Rear Step

Visual / Graphic Illustration



Step #

Description/Method

WITHOUT  
TOWBAR

Locate the holes on the rear chassis shown in FIG 1 (Drivers side shown).

Place the rear step using the supplied spacers over the holes and tighten using the kit supplied.

Tighten using a torque wrench to the specified torque.  
M12 = 73 Nm

## Fitment Instruction: Toyota Hilux Spartan Rear Step

Visual / Graphic Illustration

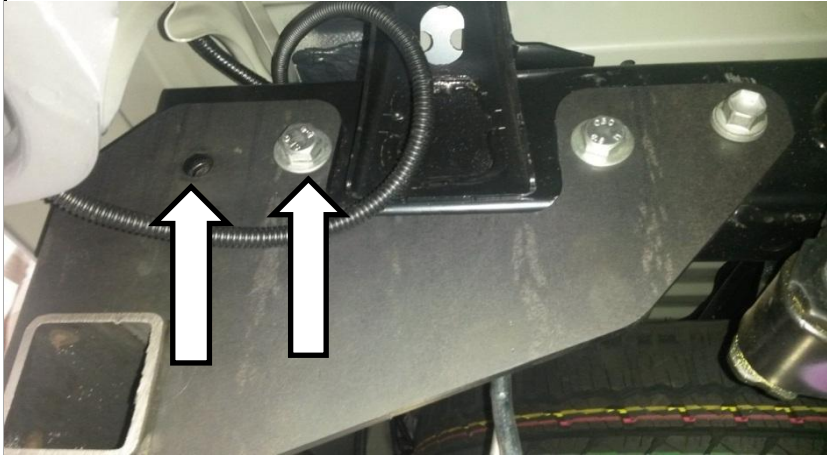
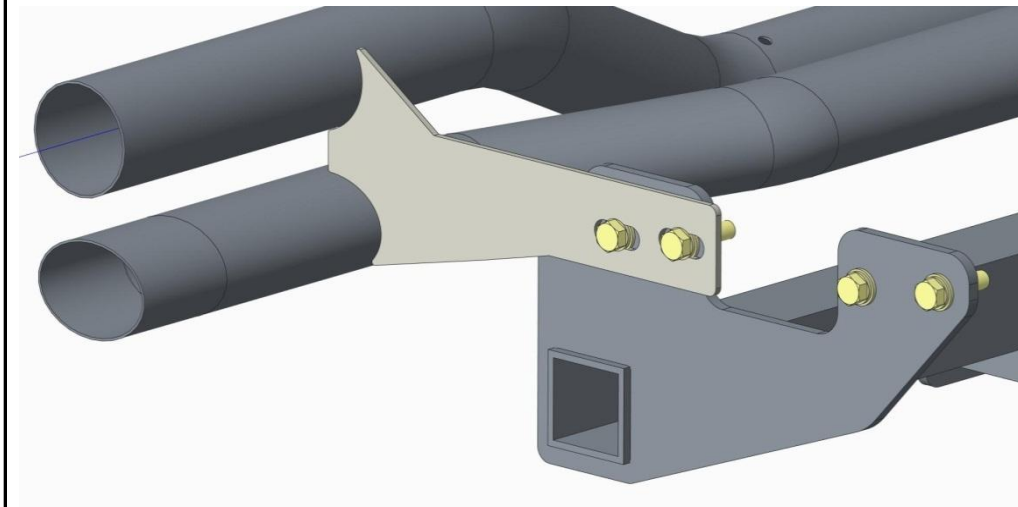


FIG 2



Step #

Description/Method

Locate the sets/bolts on the towbar shown in FIG 2  
(Drivers side shown).

Remove these sets.

WITH  
TOWBAR

Place the rear step over towbar and tighten using the  
sets/bolts you removed in the first step.

Tighten using a torque wrench to the specified torque.  
M12 = 73 Nm

Make sure bar is centralised and tighten all fasteners to specified torque.

M12 = 73 Nm

