

ACCESSORY FITMENT INSTRUCTION

Product

Toyota Hilux Honeycomb Sports Bar

Product No:

80081T , 80082T TN : 340



60
Minutes

Models : DC , EC , SC

Page 1 of 5

Date : 15-05-2019

DIAGRAM

Kit content:

	Qty	Description		Qty	Description
A	2	M8x90 Sets	M	2	Top Rubbers
B	2	M8 spring washer	N	2	Feet Rubbers
C	2	M8x25x2 Flat washer	O	2	Side plates
D	6	M8 Nylock Nuts	P	2	Grommets
E	4	M10x30x2.5 Flat washer	Q	2	Load Spreader Long
F	4	M10 Nylock nuts	R	2	load spreader Short
G	18	M8x25 Sets	S	2	T-nut plate
H	8	M8x16x1,5 Flat washers (Black)	T	2	Base plates (Left and Right)
I	6	M8x25x1.5 Flat washers			
J	10	M8x25x1.5 Flat washers (Black)			
K	12	M8 Spring Washers (Black)			
L	18	M8 Cap Covers			

Additional equipment/Material needed for fitment :

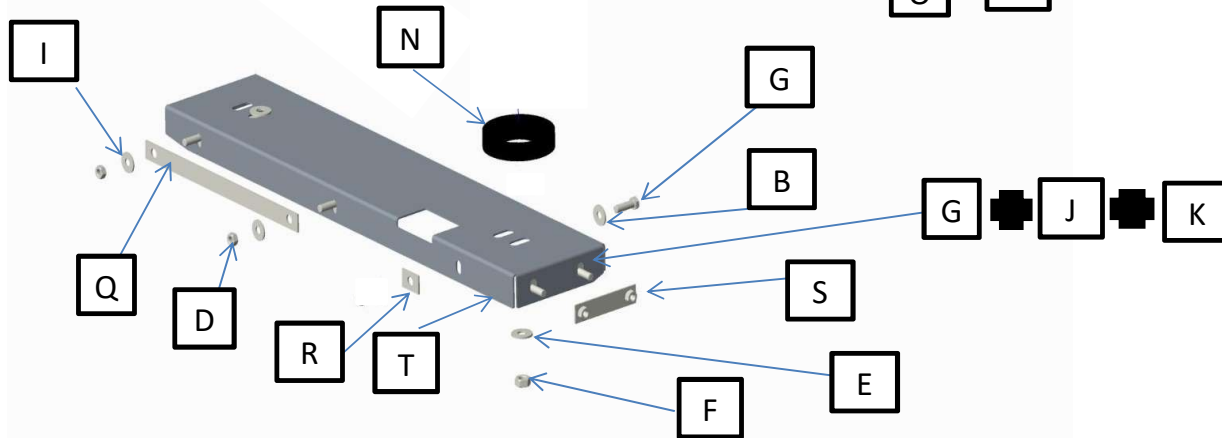
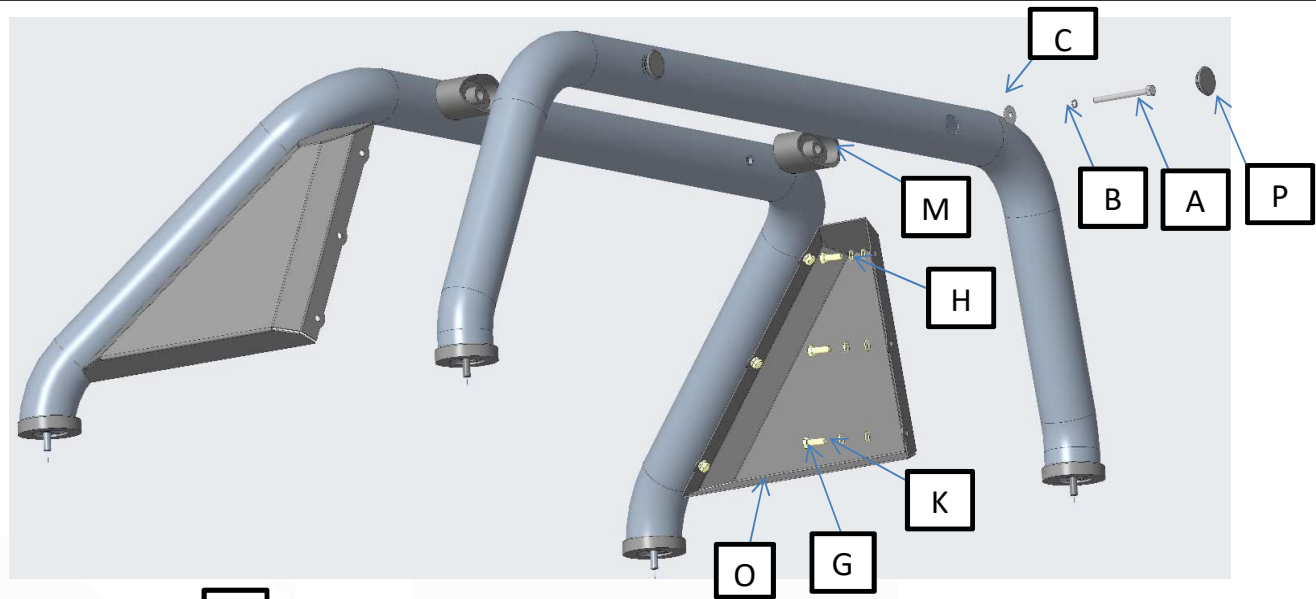
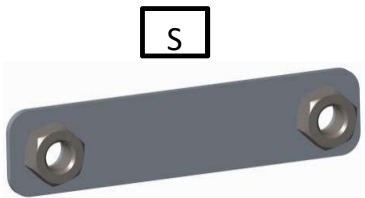
Qty	1	Spanner Set + extension	1	drill
	1	Torque wrench	1	9mm Drill bit
	1	masking tape	1	tectyl
	1	marking pen	1	Centre punch

Precautions during fitment:


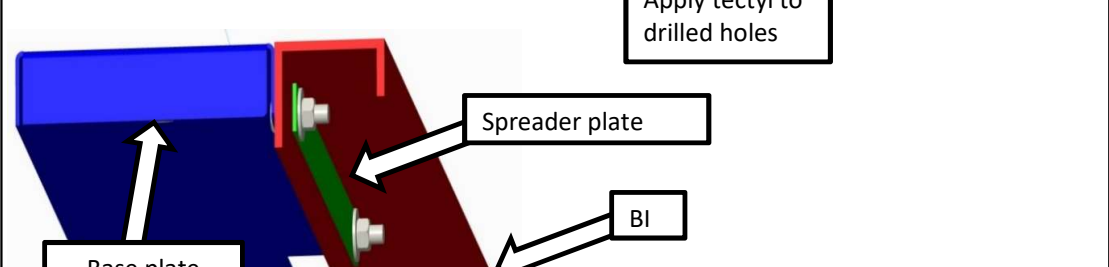
Ensure you have an adequate working space. Requires two people for fitment. Ensure that the correct tools are used and be careful not to scratch the vehicle or parts.



Fitment Instruction: Hilux Special edition Sports Bar

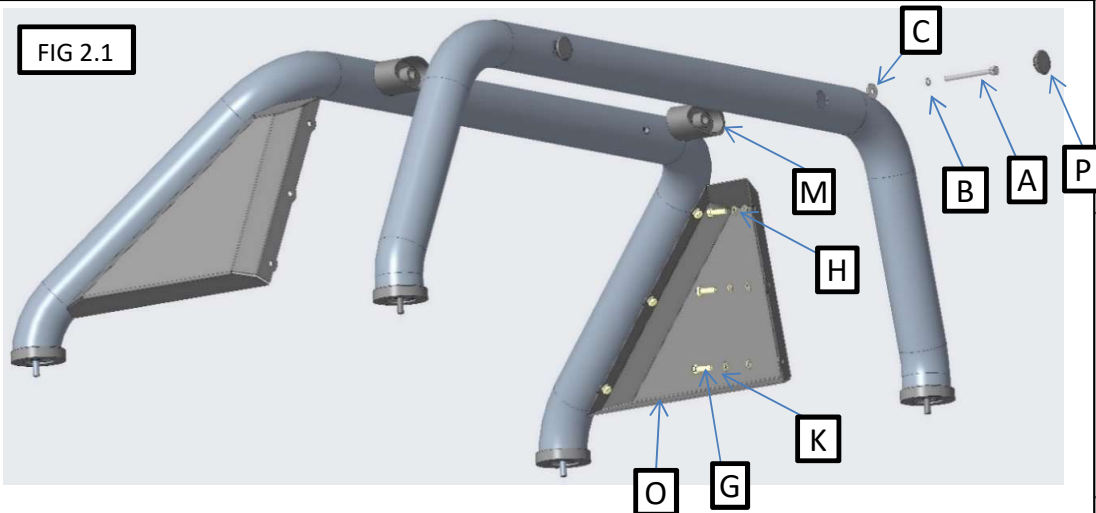


Fitment Instruction: Hilux Special edition Sports Bar

Visual / Graphic Illustration	Step 1	Description/Method
 <p>FIG 1.1</p> <p>Apply tectyl to drilled holes</p>	Step 1.1	Place The base plate in the front corner of the bin, so that the holes in the base plate are on the bin side(as shown in fig 1.1). It would be a good idea to clamp the base plate down, so it does not move for the next step.
 <p>Base plate</p> <p>Spreader plate</p> <p>BI</p> <p>Spreader plate short</p>	Step 1.3	Centre punch the centre of the mark you made in the previous step to keep it accurate. Once centre punched you must drill through the bin plate using a 9mm drill bit.
	Step 1.4	You can now bolt the base plates onto the bin using the holes you have just drilled. The required bolts and nuts are shown on PAGE 2. The front of the base plate uses a special t-nut as there is no space for a spanner.

Fitment Instruction: Hilux Special edition Sports Bar

Visual / Graphic Illustration



Step 2

Description/Method

Step 2.1

Assemble the sports bar as shown in Fig 2.1.

Step 2.2

Mount the sports bar onto the base plates using the kit shown on page 2.

Step 2.3

Place M8 cap covers on all visible set screw or nut ends.

COMPLETE

Final step

Page 5 of 5

Make sure bar is centralised and tighten all fasteners to specified torque. M8= 22Nm , M10= 42Nm , M6= 9Nm.

