

ACCESSORY FITMENT

Product

Toyota Quantum Front Styling Bar (76mm Tube)

Part no.

90009T TN : 297



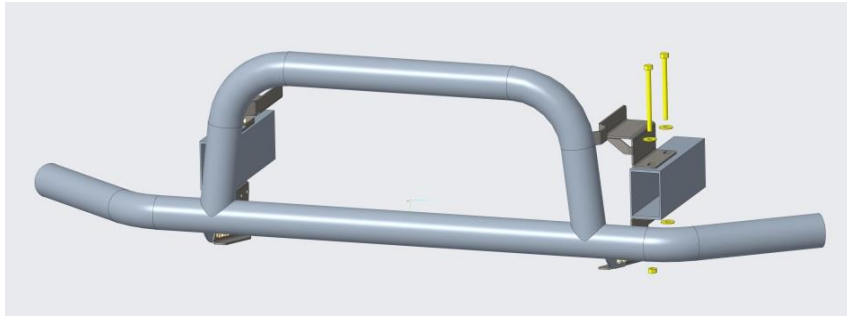
60
Minutes

Models : 2008>

Page 1 of 6

Date :14/05/2018

DIAGRAM



Kit content:

	Qty	Description		Qty	Description
A	4	M10x140 Bolts	H	6	M8 Hex nuts
B	8	M10x30x2.5 Flat washers	I	2	Top mount brackets (DS and PS)
C	4	M10 Spring washers	J	2	Bottom Mount brackets (DS and PS)
D	4	M10 Hex nuts	K	1	Nudge bar
E	6	M8x25 Sets			
F	12	M8x20x1.5 Flat washers			
G	6	M8 Spring washers			

Additional equipment/Material needed for fitment :

Qty	Description	Qty	Description
	Ratchet and spanner set		
	Stanley knife / Hacksaw blade		
	Masking tape		


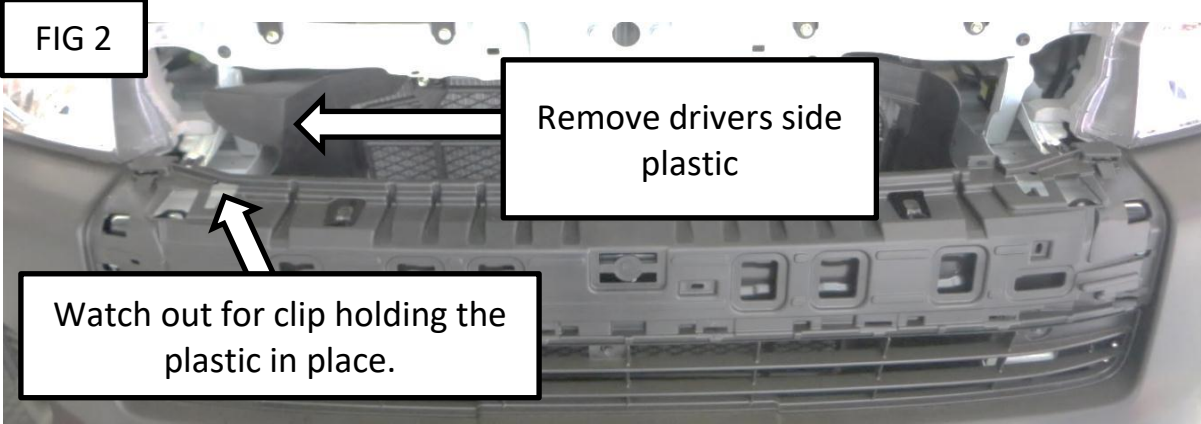
Precautions during fitment:

Ensure you have an adequate working space. Requires two people for fitment. Ensure that the correct tools are used with installation.

Directions for use:

Read through the fitting instructions carefully before installation.

Fitment Instruction: Quantum Front Styling Bar

Visual / Graphic Illustration	Step #	Description/Method
<p>FIG 1</p> 	<p>1</p>	<p>Remove front Cover</p>
<p>FIG 2</p> 		<p>Remove DS plastic. There is a set screw holding it in place in the top and bottom. Remove plastic by sliding it out from the bottom.</p>

Fitment Instruction: Quantum Front Styling Bar

Visual / Graphic Illustration

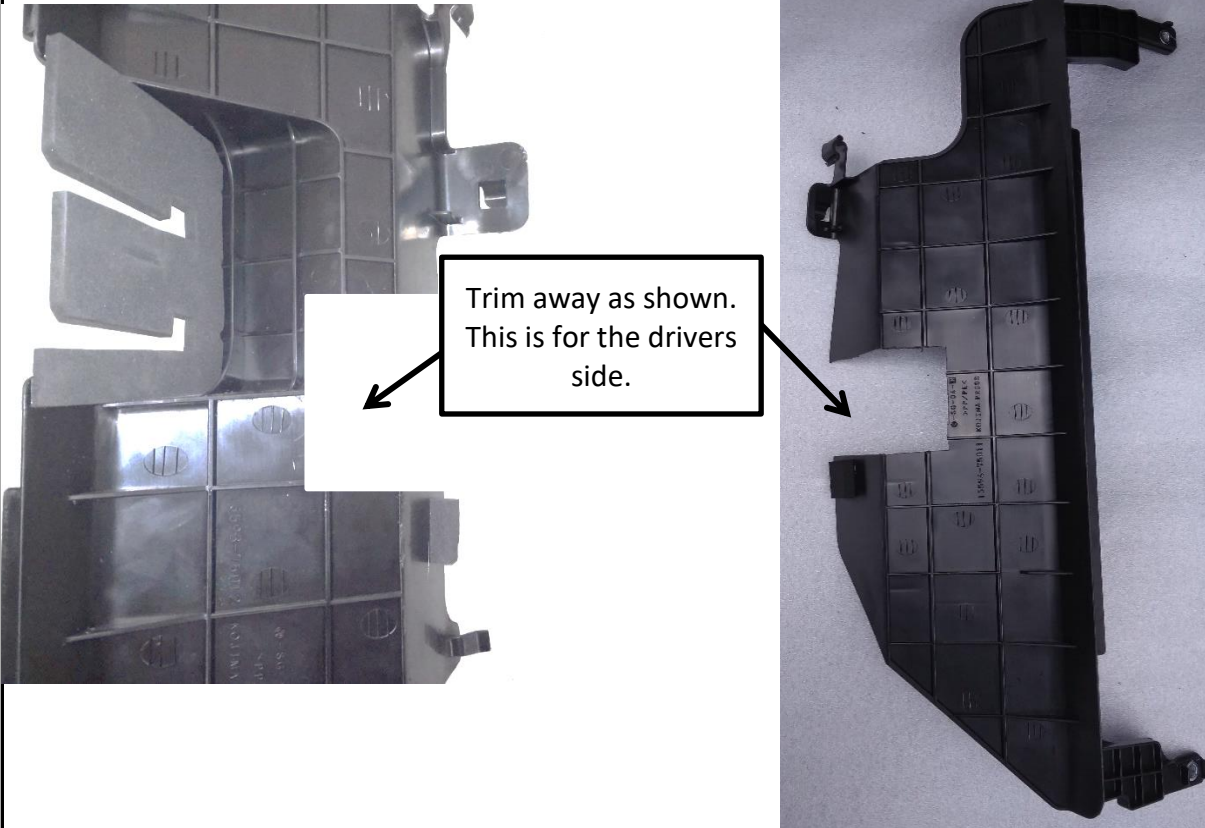
Step #

Description/Method

FIG 3

DS

PS



3

Trim DS and PS plastic as shown in FIG 3.

4

Replace DS and PS plastic once trimmed.

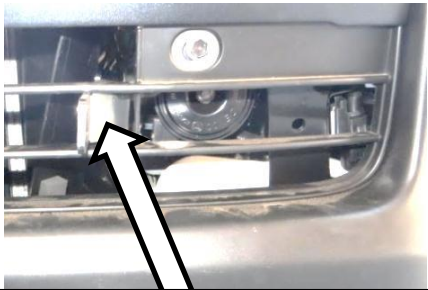
5

Replace front bumper cover.

Fitment Instruction: Quantum Front Styling Bar

Visual / Graphic Illustration

PS side shown - Do to both sides.



Top brackets to stick through the bumper in this location.

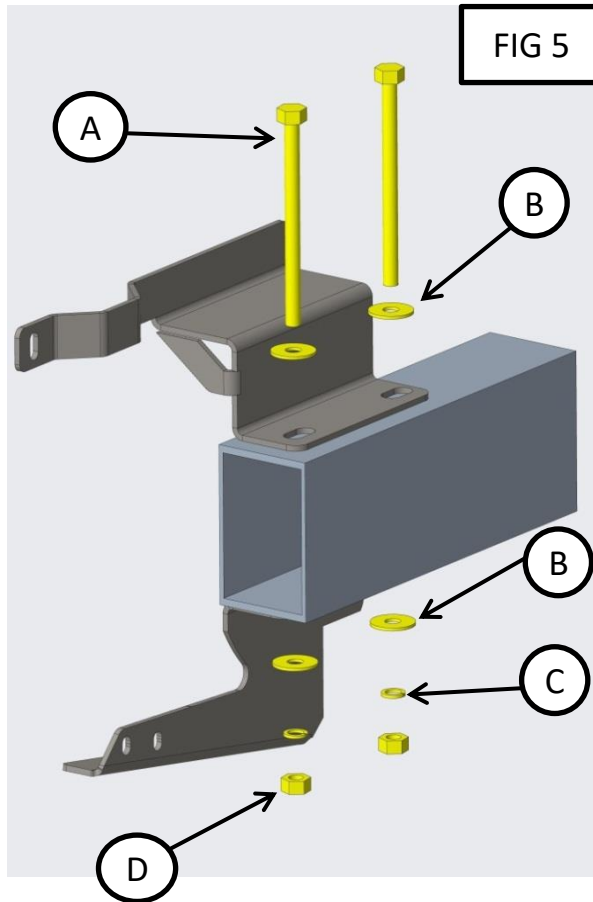


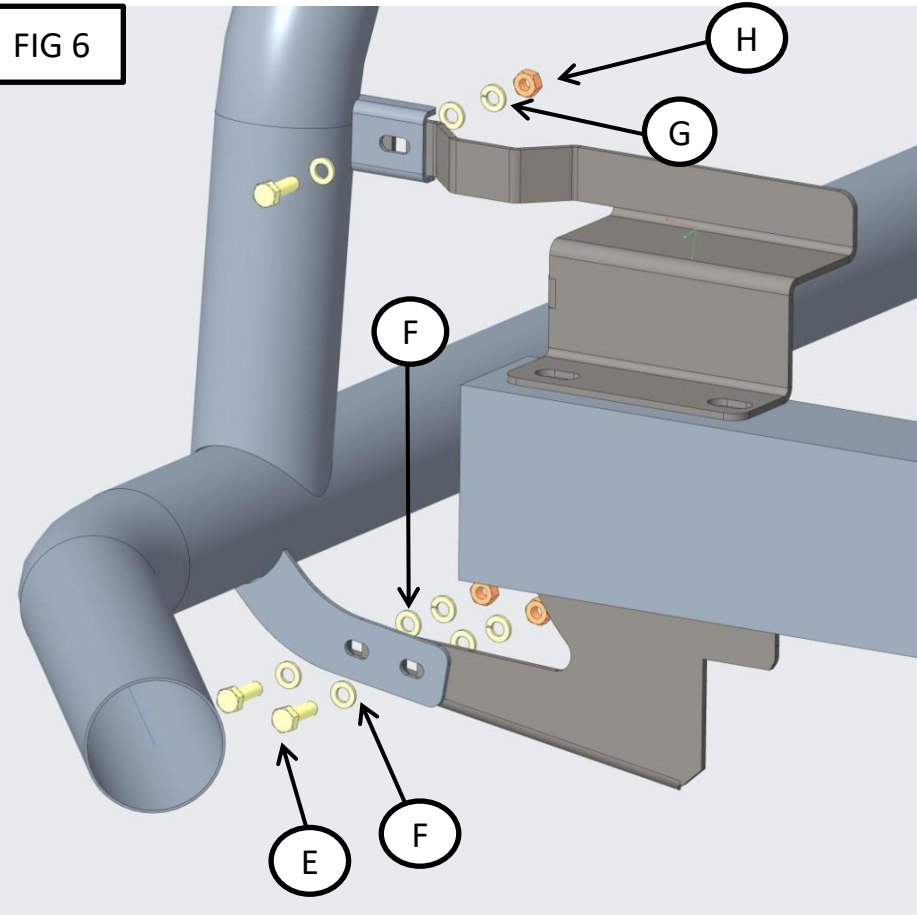
FIG 4

FIG 5

Step #	Description/Method
	Tape up the area where the brackets stick out to avoid scratching the bumper. FIG 4.
6	Mount the brackets to the chassis as shown in FIG 5.

Fitment Instruction: Quantum Front Styling Bar

Visual / Graphic Illustration



Step #

Description/Method

7

Mount the front styling bar to the brackets mounted in step 6 using the kit shown in FIG 6.

Make sure bar is centralised and tighten all fasteners to specified torque. M8= 22Nm , M10= 42Nm , M6= 9Nm.

