

ACCESSORY FITMENT INSTRUCTION

Product

Toyota Quantum 2019 Front Styling Bar

Tracking no.

343



60
Minutes

Models : All

Page 1 of 7

Date :29-07-2019

DIAGRAM



Kit content:

	Qty	Description		Qty	Description
A	6	M8x25 Set			
B	8	M8x30 Set			
C	4	M8x40 Set			
D	10	M8 Hex nuts			
E	18	M8 spring washers			
F	28	M8x20x1.6 Flat washers			
G	1	Front Styling Bar			
H	2	Top mounting bracket (L/RHS)			
I	2	Bottom mounting bracket (L/RHS)			
J	2	Rear mounting bracket (L/RHS)			
K	2	Clamping bracket (L/RHS)			

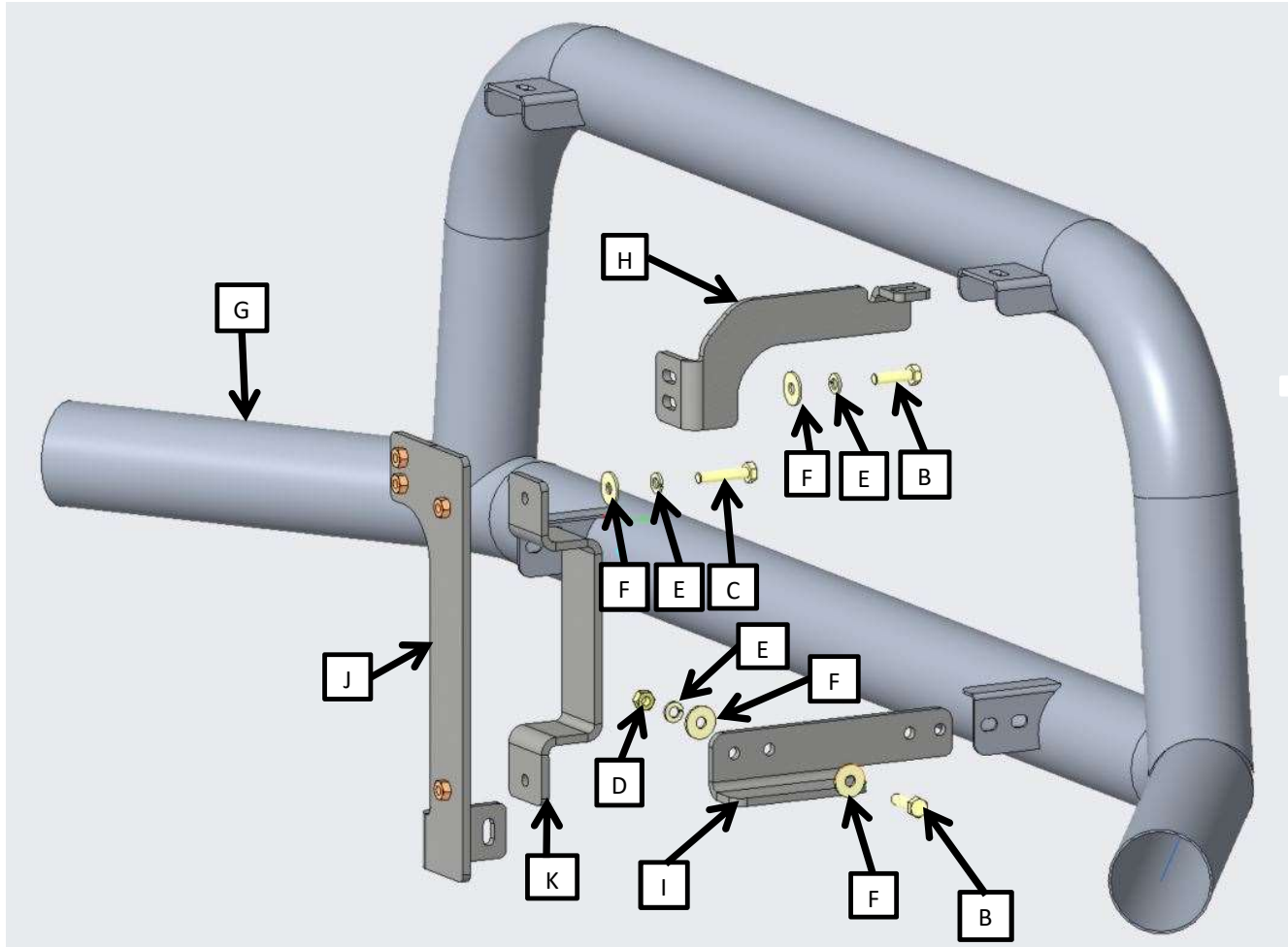
Additional equipment/Material needed for fitment :

Qty	1	Ratchet set	QTY	1	Hacksaw blade
	1	Masking tape		1	Spanner set
	1	Measuring tape			

Precautions during fitment:

Ensure you have an adequate working space. Requires two people for fitment. Ensure that the correct tools and appropriate clothing are used with installation.

Fitment Instruction:
Toyota Quantum 2019 Front Styling Bar



Fitment Instruction: Toyota Quantum 2019 Front Styling Bar

Visual / Graphic Illustration

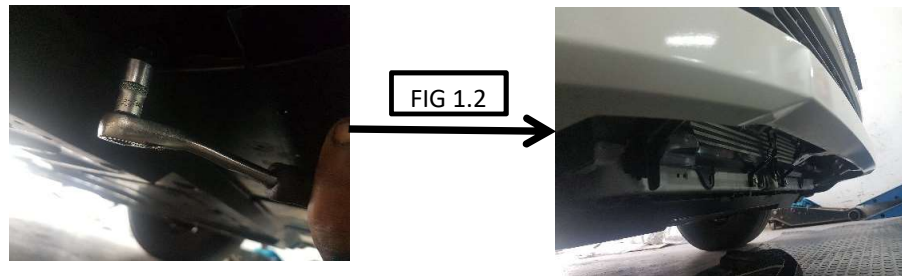
Step #

Description/Method



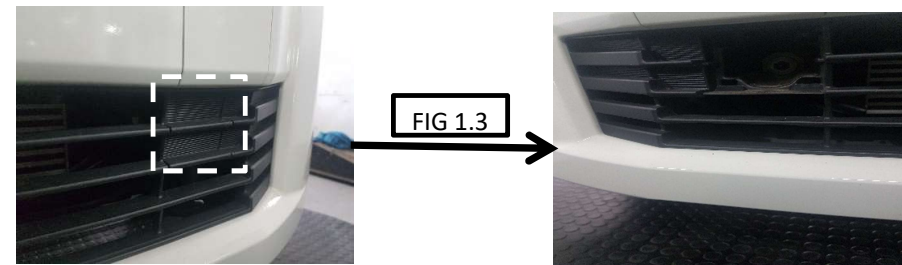
Step 1.1

Remove Top Cover as shown in FIG 1.1.



Step 1.2

Remove Bottom Cover as shown in FIG 1.2.



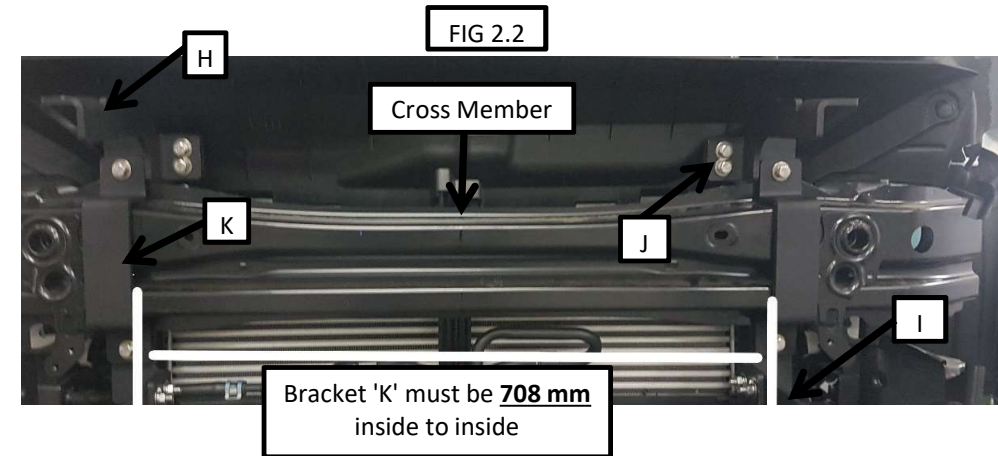
Step 1.3

Remove Front Grill Cover as shown in FIG 1.3.

REMOVE THE BUMPER

Fitment Instruction: Toyota Quantum 2019 Front Styling Bar

Visual / Graphic Illustration



Step #

Description/Method

Step 2.1

Remove Bumper and airflow deflector as shown in FIG 2.1. Make sure all bolts are removed.

Step 2.2

Find centre on the chassis and mark **354 mm** each way. Mount the brackets labelled 'J' and 'K' as shown in FIG 2.2.

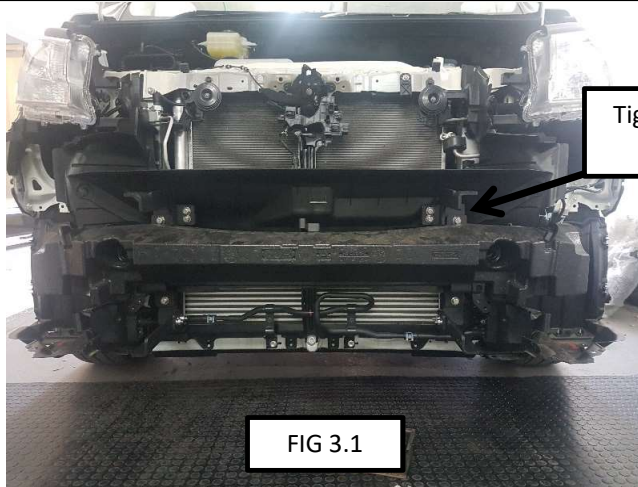
Step 2.3

Bolt on top(H) and bottom brackets(I) loosely and make sure they fit perfect through the trimmed grill shown in FIG 3.2 and than tighten.

REMOVE THE BUMPER.

Fitment Instruction: Toyota Quantum 2019 Front Styling Bar

Visual / Graphic Illustration



Step

Description/Method

Step 3.1

Tighten all bolts and nuts and put back airflow deflector as shown in FIG 3.1

Step 3.2

1 rib must be cut out of the grille. Tape surrounding areas to avoid any damage to grille. Cut out the ribs shown in FIG 3.2.

**BUMPER AND ALL COVERS
NEED TO BE PUT BACK.**

Fitment Instruction: Toyota Quantum 2019 Front Styling Bar

Visual / Graphic Illustration

Step #

Description/Method

FIG 4.1



Step 4.1

Make sure brackets are not touching the bumper as shown in FIG 4.1

Step 4.2

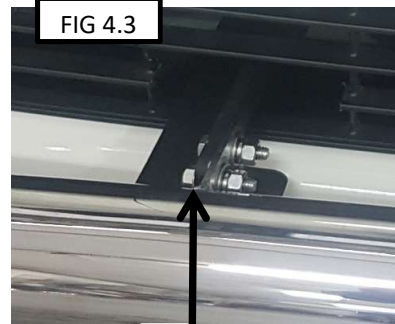
Bolt on front styling bar as shown in FIG 4.2 and FIG 4.3

FIG 4.2



A
+
F
+
E
+
D

FIG 4.3



A + F | F + E + D

COMPLETE

Final step

Page 7 of 7

Make sure bar is centralised and tighten all fasteners to specified torque.
M10= 42Nm , M12=73Nm.

