



ACCESSORY FITMENT INSTRUCTION

Product

Isuzu nudge with oval cross member

Product Codes



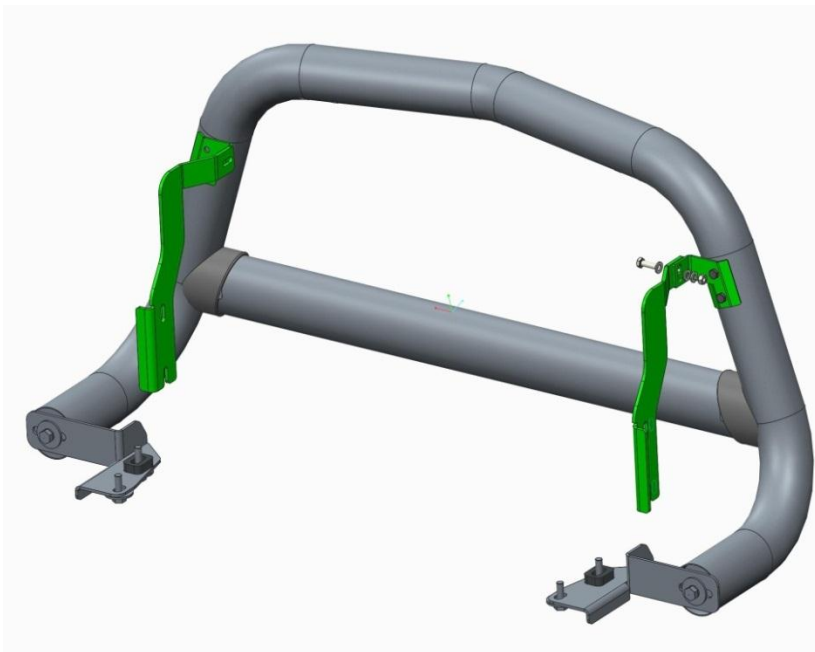
60
Minutes

Models : 2016

Page 1 of 9

Date : 13/09/2016

DIAGRAM



Kit content:

Qty	Description	Qty	Description
2	M10x30 sets	10	M10x30x2 flat washers
2	M8x25 sets	4	M8x20x1.6 Flat washers
2	M10x40x1.25 sets (fine thread)	2	M8 hex nuts
2	M10x30x1.25 sets (fine thread)	2	M10 U-bolts
2	M8 spring washers		
10	M10 Spring washers		
4	M10 hex nuts		

Additional equipment/Material needed for fitment :

Qty	Description	Qty	Description
1	3/8 drive set	1	Measuring tape
1	13 spanner	1	Torque Wrench
1	17 spanner		Torque setting found on last page
1	screw driver set		allen key set
1	Masking tape		

Precautions during fitment:

1. Avoid direct contact with sharp objects when removing the packaging.

Directions for use:

1. Have the bar placed on a rubber mat to avoid any damage during fitment
2. Ensure the bar is secure and not hindering the bumper of the vehicle before signing of the fitment.

Fitment Instruction: Nudge with oval x-member

Kit Needed for drivers side



2 x spacers



Top
mounting
bracket



Bottom bracket marked (D) for
drivers side.



Supplied
nuts and
bolts kit

Visual / Graphic Illustration

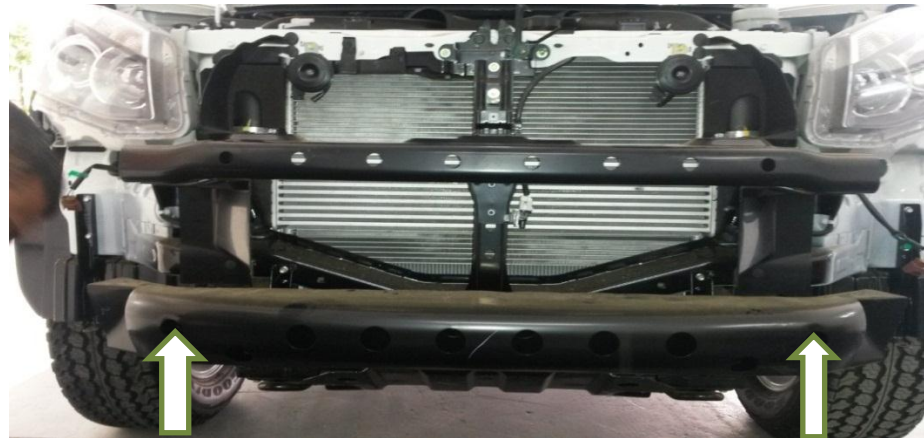
Step #

Description/Method



1

Carefully Remove the front bumper.



2

You will be using the chassis located behind the cross brace. Shown by the arrows in pic1 for step 2.

Pic1



Fitment Instruction: Nudge with oval x-member

Visual / Graphic Illustration



Pic 2

Pic 3

Pic 4

2.1

This step is fitting the drivers side top brackets. Locate the chassis shown in Pic 2. You will see an indentation, using a U-bolt position it to look like Pic3. Using the kit, loosely mount the top bracket to the outside of the chassis.

Do the same to the passenger side

Kit used per bracket	
1	U-bolt
2	M10 flat washers
2	M10 Spring washers
2	M10 Hex nuts
1	Top bracket

Tighten the u-bolts to 30Nm
using the torque wrench

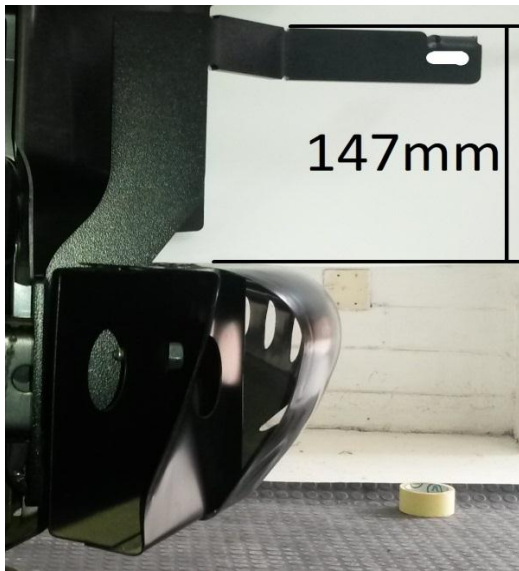


Fitment Instruction: Nudge with oval x-member

Visual / Graphic Illustration

Step #

Description/Method



147mm

Pic5

2.2

Now that both top brackets have been placed, you will need to adjust them to certain measurements. Refer to Pic5 and Pic6 for measurements for correct mounting.



760mm

Pic 6

Fitment Instruction: Nudge with oval x-member

Visual / Graphic Illustration



Pic 7



Step #

Description/Method

3

Using the masking tape wrap the top left and right corners of the bumper up (shown in pic7). This is to protect it from possible scratches when replacing the bumper.

Carefully place the bumper back on the vehicle.

Fitment Instruction: Nudge with oval x-member

Visual / Graphic Illustration



Pic 8

kit needed per side	
1	Spacer
1	Bracket(labelled D)
1	M10x40 fine thread
1	M10x30 fine thread
2	M10 Flat washers
2	M10 Spring washers
2	M10 Hex nuts



Pic 9



Pic 10

Step #

Description/Method

4

On the drivers side. Locate the tow eye. On the outside of it you will see 2 bolts. Remove these bolts, to allow fitment of the bracket and discard these bolts(shown in pic8).

Using the bracket labelled D, the 8mm spacer and the fine thread sets, mount to the chassis. NB: Use the longer fine thread set for the spacer/front hole.

Do the same to the passengers side

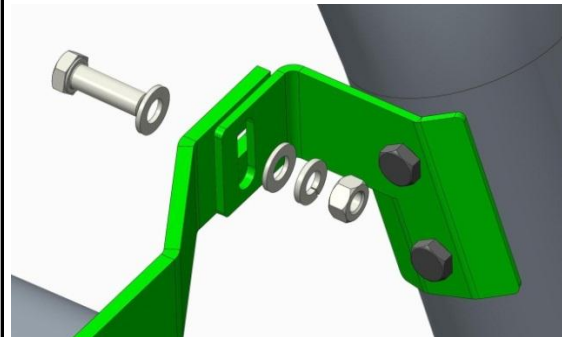
Fitment Instruction: Nudge with oval x-member

Visual / Graphic Illustration



Kit needed for bottom bracket

1	M10x30 Sets
1	M10 Flat washer
1	M10 Spring washer



Top bracket kit needed per side

1	M8x25 Set
2	M8 Flat washers
1	M8 Spring washer
1	M8 Hex nut

Step #

Description/Method

5

Mount the nudge bar on to the protuding brackets.

Make sure bar is centralised and tighten all fasteners to specified torque. M8= 22Nm , M10= 42Nm , M6= 9Nm.



WARRANTY

1. If any product manufactured by SERKO is found to be defective during a period of twelve (12) months after the date of purchase , SERKO shall repair (at SERKO's discretion) the defective product or part.
2. Any defect in a product distributed by SERKO , but not manufactured by SERKO, shall be dealt with in accordance with , and to the extent of , the warranty offered by the manufacturer of the product.
3. SERKO does not warrant that the products manufactured by it comply with the laws of the place where the products are being purchased or used. It is the responsibility of the purchaser to ascertain whether products being purchased - or affiliation of these products to any other object - comply with the local laws.
4. Except to the extent described in this warranty , SERKO shall not be liable for any other claim , including those claims arising from faulty design , the use of the product on any indirect special or consequential damage or injury to any person , company or any other entity.
5. Modification or alteration to any product manufactured by SERKO to enable fitment in conjunction with other vehicle accessories or modifications (eg lift kits) will void warranty claims.

