

ACCESSORY FITMENT

Product

VW Crafter Side Step Stainless

Part no.

(VW-CRAFTER-SS-S)_(Tracking No. 83)



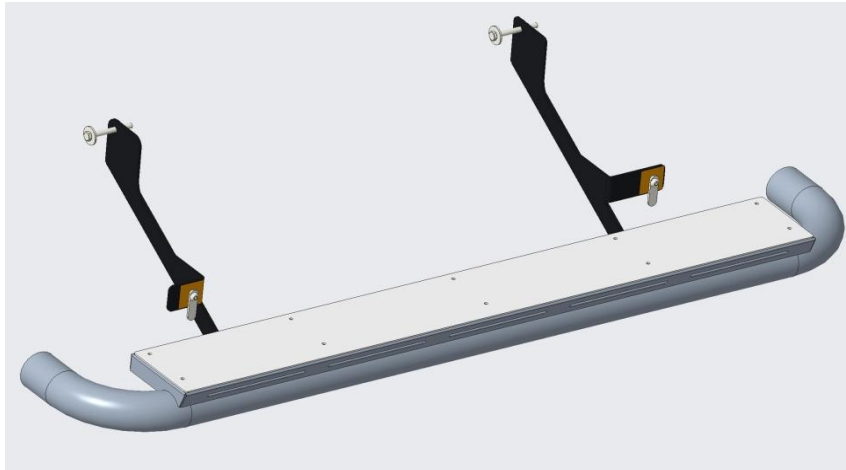
30
Minutes

Models : ALL

Page 1 of 4

Date : 24-Oct-2017

DIAGRAM



Kit content:

	Qty	Description		Qty	Description
A	2	M10 x 1.5 x 80mm Long Bolts	H	2	Velamoid
B	4	M12x36x3 Washer plates			
C	4	M10 x 1.5 x 30mm Long Set Screws			
D	8	M10 Spring Washers			
E	8	M10 Hex Nuts			
F	10	M10x20x2 flat washer			
G	2	T-bolts M10x40(button head)			

Additional equipment/Material needed for fitment :

Qty		Qty	
	Spanner Set		
	Socket and Ratchet Set		
	Masking Tape		

Precautions during fitment:

Wear the appropriate PPE clothing during installation.

Do not cause any damage to the vehicle.

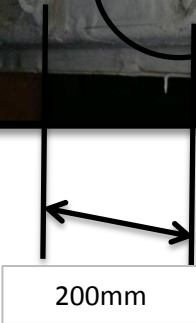
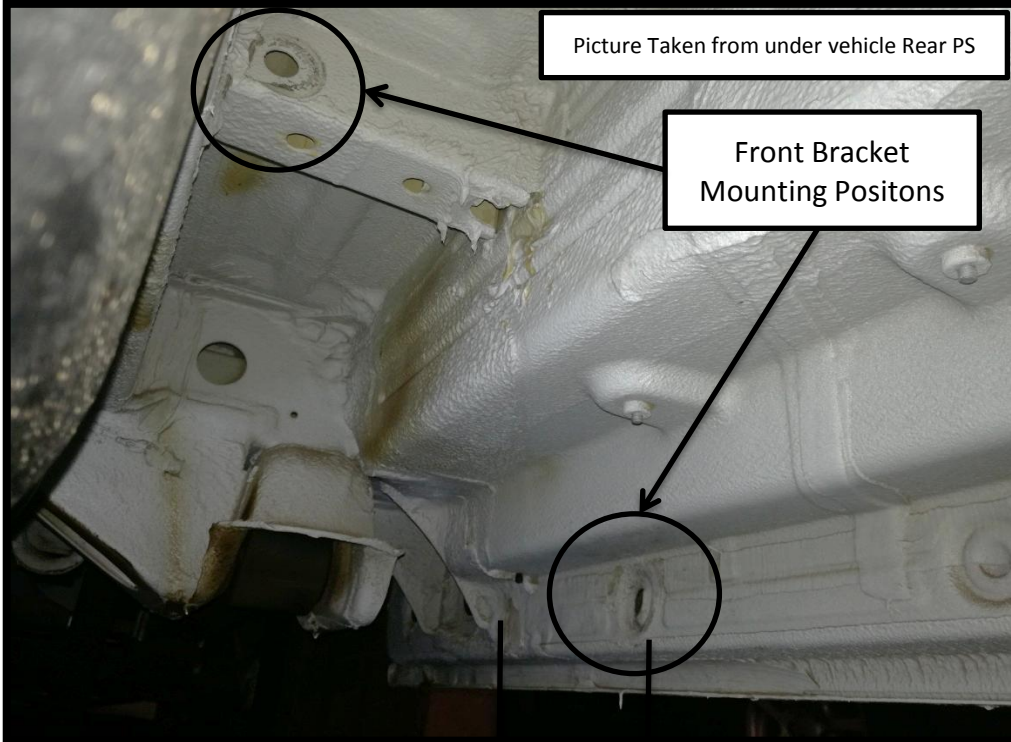
Directions for use:

Apply masking tape onto the vehicle to prevent scratches before installation.

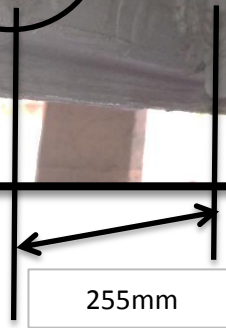
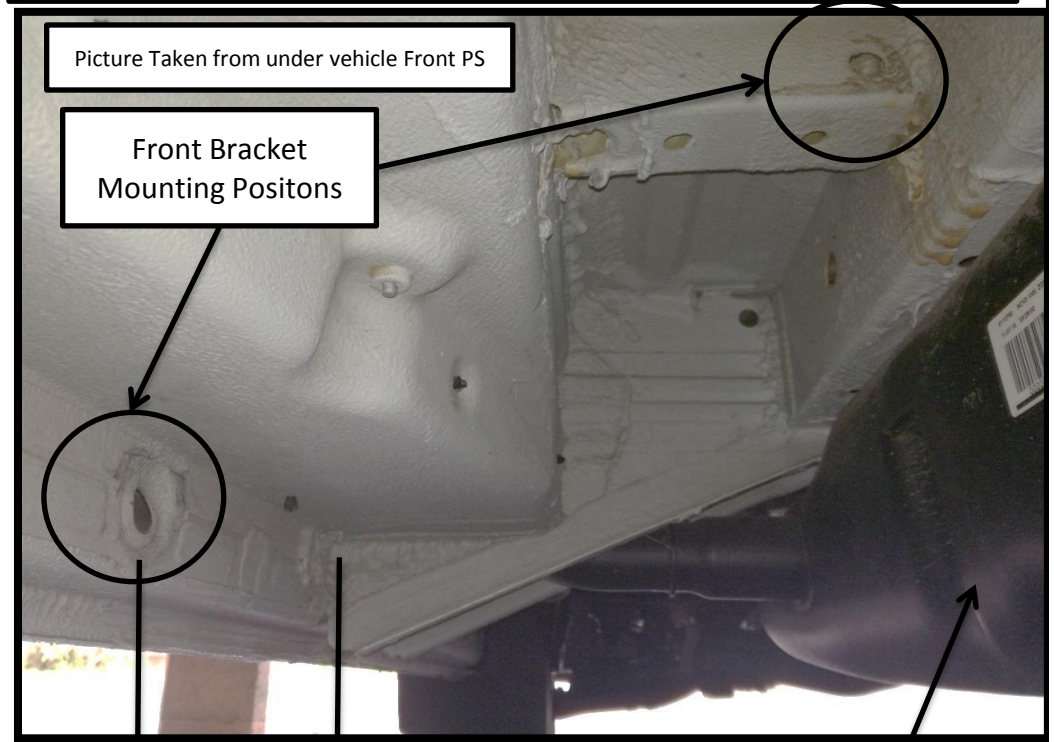
Read all instructions carefully before installation.

Follow all instructions carefully.

SIDE STEP REAR BRACKET MOUNTING POSITION



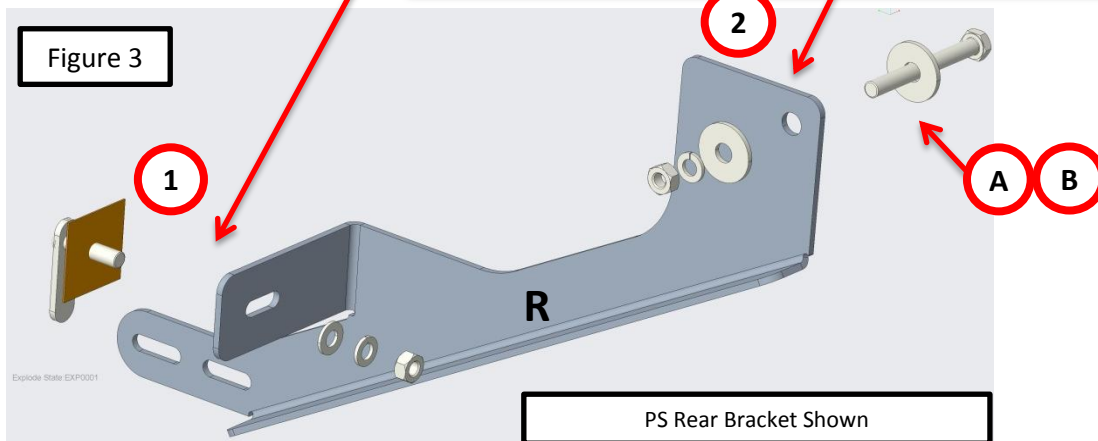
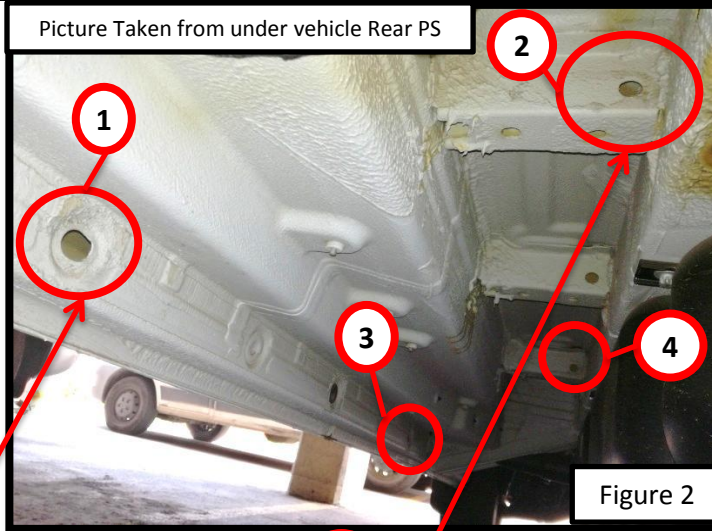
SIDE STEP FRONT BRACKET MOUNTING POSITION



Fuel Tank

Fitment Instruction: VW CRAFTER SIDE STEP

Visual / Graphic Illustration

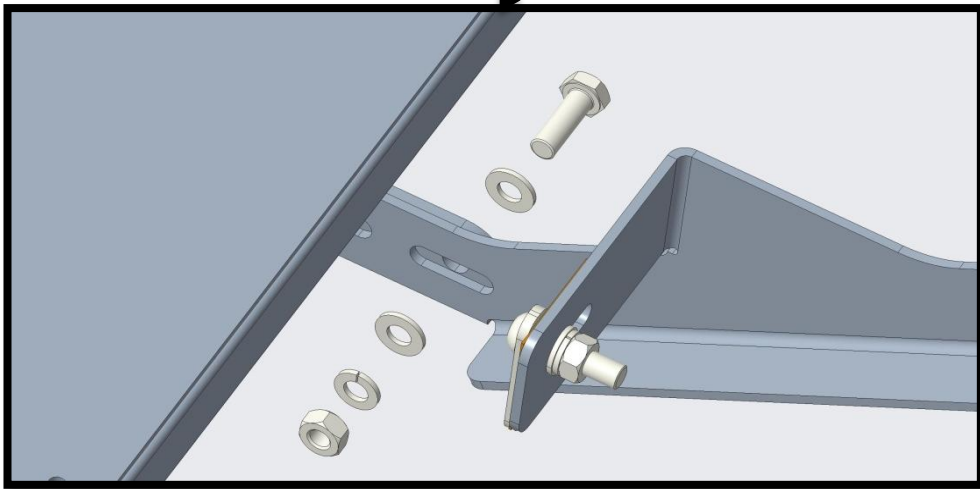
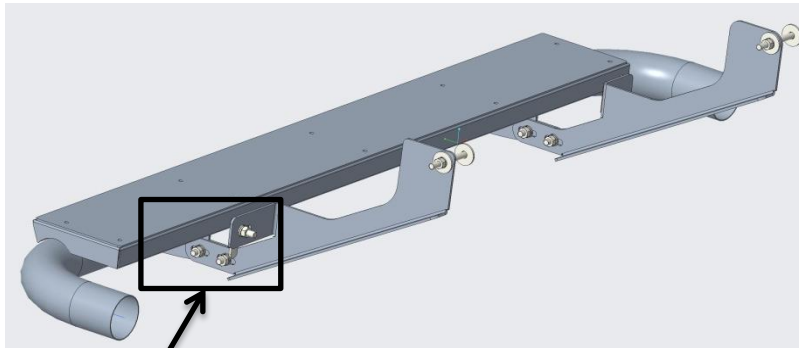


Step #	Description/Method
1	Locate Mounting Positions as shown in Figure 1 & Figure 2. (Also see Page 2 of 4)
2	Insert T-Bolt into "1" as shown in Figure 3. (PS Rear shown)
3	Fit Rear Mounting Bracket with lable "R" as shown in Figure 3.
4	Fit Front Mount Bracket into "3" & "4".

Fitment Instruction: VW CRAFTER SIDE STEP

Visual / Graphic Illustration

Figure 4



Step #

Description/Method

5

Fit Side Step as shown in Figure 4.