

# ACCESSORY FITMENT

**Product**

Ford Ecosport Facelift Nudge Bar

**Part no.**

150063T TN : 327



60  
Minutes

Models :2019 AMBIENTE ONLY

Page 1 of 7

Date :25-02-2019

## DIAGRAM



## Kit content:

	Qty	Description		Qty	Description
A	4	M8x20 Button heads	H	6	M6x20 Sets
B	4	M8 Spring washers	I	6	M6x16x1,6 Flat washers
C	8	M8x20x1,6 Flat washers	J	6	M6 Spring washers
D	4	M8 Hex nuts	K	2	Top mount plates
E	6	M8x22x2 Flat washers	L	2	Bottom mount plates
F	6	M8 Spring washers	M	2	Back mount plates
G	6	M8x20 Sets	N	2	Front mount plates

## Additional equipment/Material needed for fitment :

Qty	Screw drivers	Qty	
	Ratchet and spanner set		
	Allen Keys		
	Masking tape		

## Precautions during fitment:

Do not scratch the vehicle or the nudge bar during fitment.

## Directions for use:

Read all instructions carefully before installation

**AMBIENTE FITMENT ONLY. USE OTHER FITTING INSTRUCTION FOR TREND AND TITANIUM MODELS.**

## Fitment Instruction: Ford Ecosport Facelift Nudge

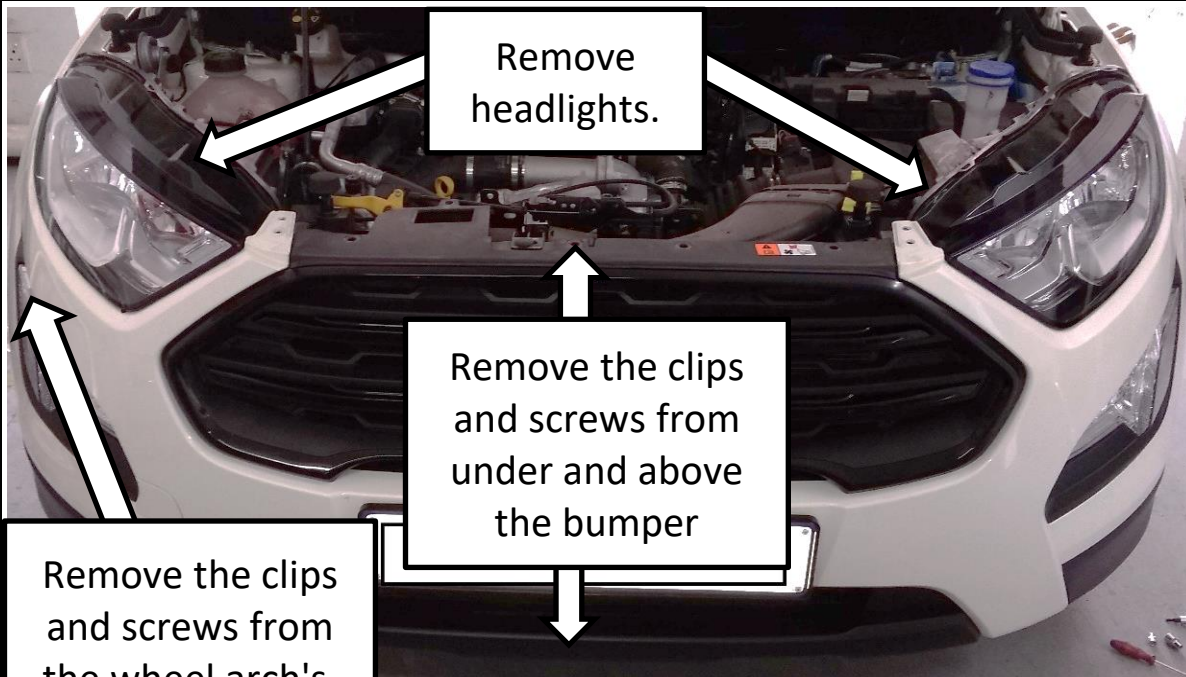
Visual / Graphic Illustration

Step #

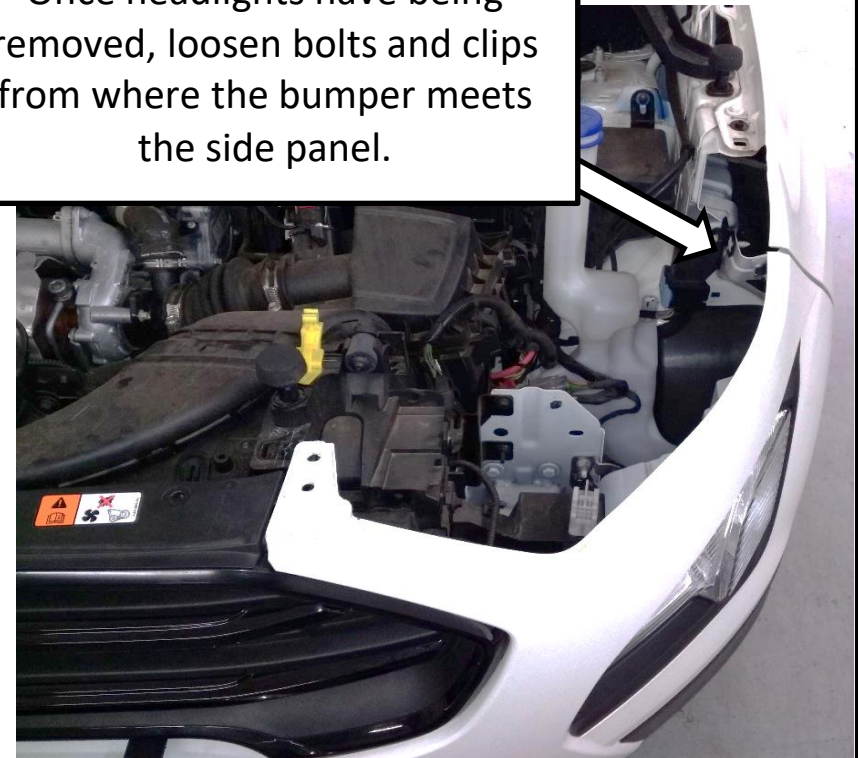
Description/Method

1

You will need to remove the front bumper as well as the headlights to fit the nudge bar.

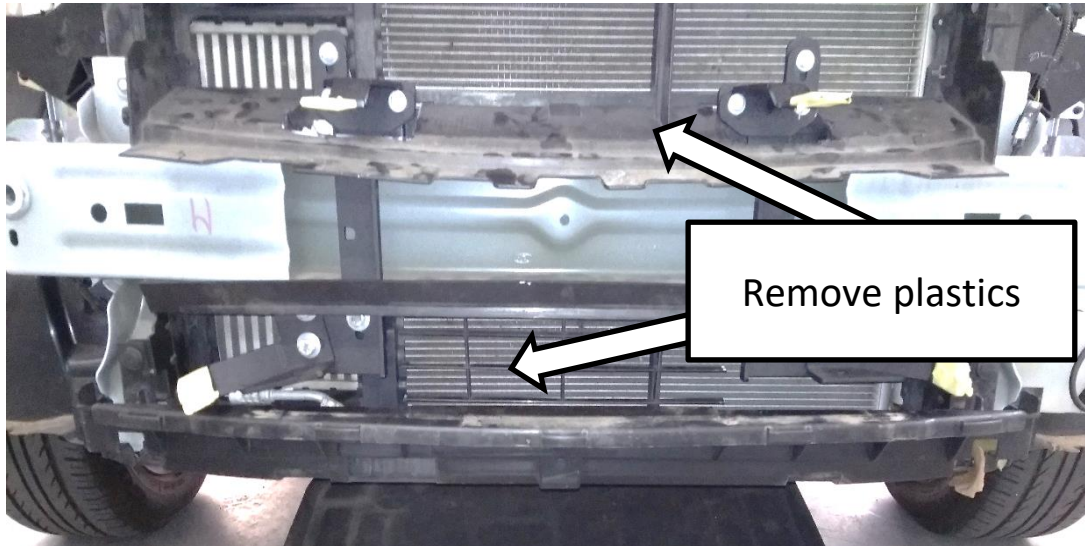


Once headlights have being removed, loosen bolts and clips from where the bumper meets the side panel.



## Fitment Instruction: Ford Ecosport Facelift Nudge

Visual / Graphic Illustration



Remove plastics

**AMBIENTE FITMENT ONLY. USE OTHER  
FITTING INSTRUCTION FOR TREND AND  
TITANIUM MODELS.**

Step #

Description/Method

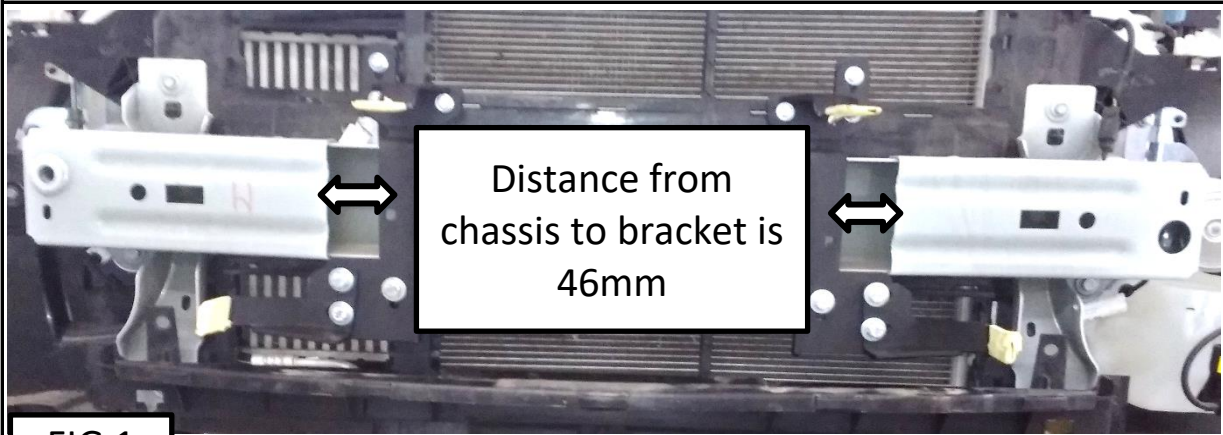
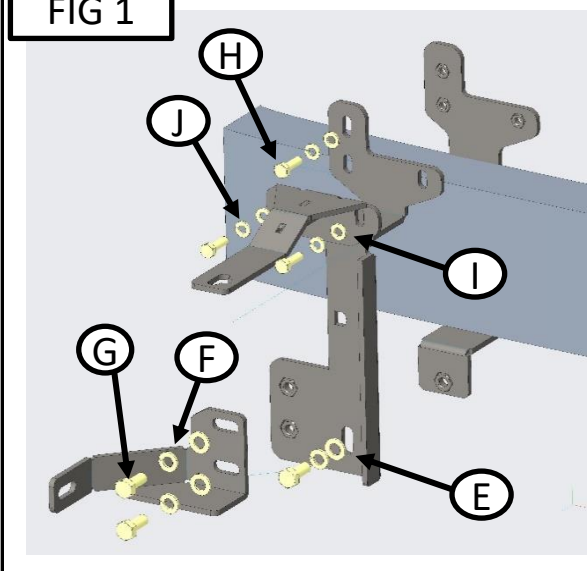
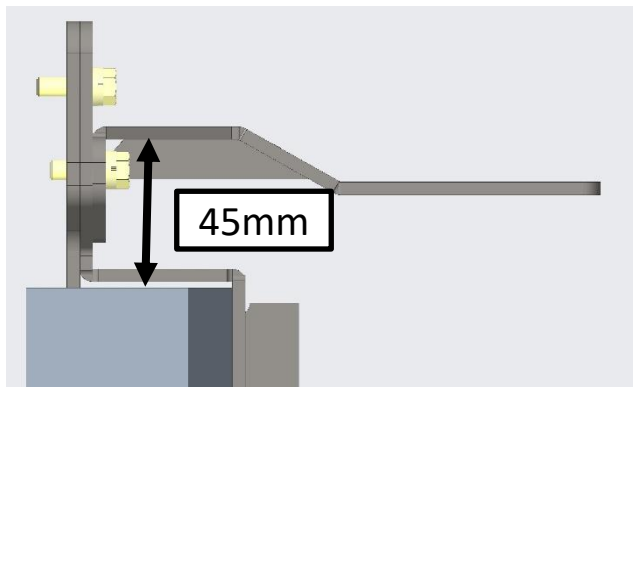
2

Remove the plastic covers above and below the support chassis.

Note

These plastics will need to be trimmed to allow the brackets to pass through them. This is shown on page 5.

## Fitment Instruction: Ford Ecosport Facelift Nudge

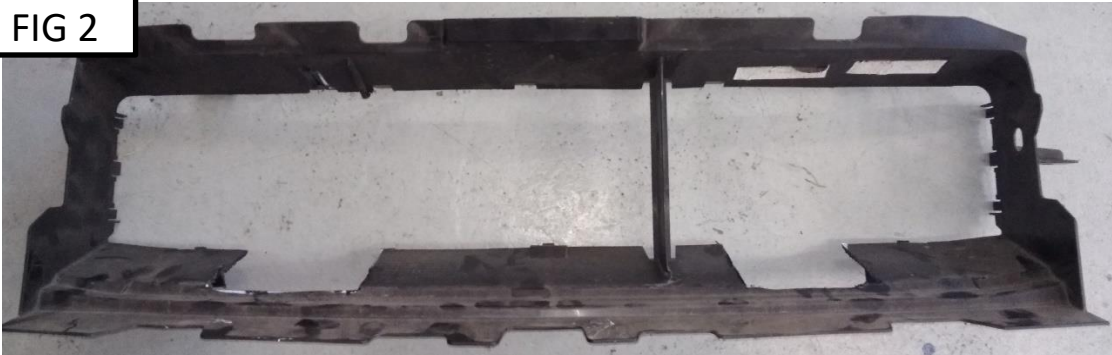
Visual / Graphic Illustration	Step #	Description/Method
 <p style="text-align: center;">Distance from chassis to bracket is 46mm</p>	3	Mount the brackets as shown in FIG 1.
<div style="display: flex; align-items: flex-start;"> <div style="margin-right: 20px;"> <p><b>FIG 1</b></p>  </div> <div>  <p style="text-align: center;">45mm</p> </div> </div>		



## Fitment Instruction: Ford Ecosport Facelift Nudge

Visual / Graphic Illustration

FIG 2



Step #

Description/Method

4

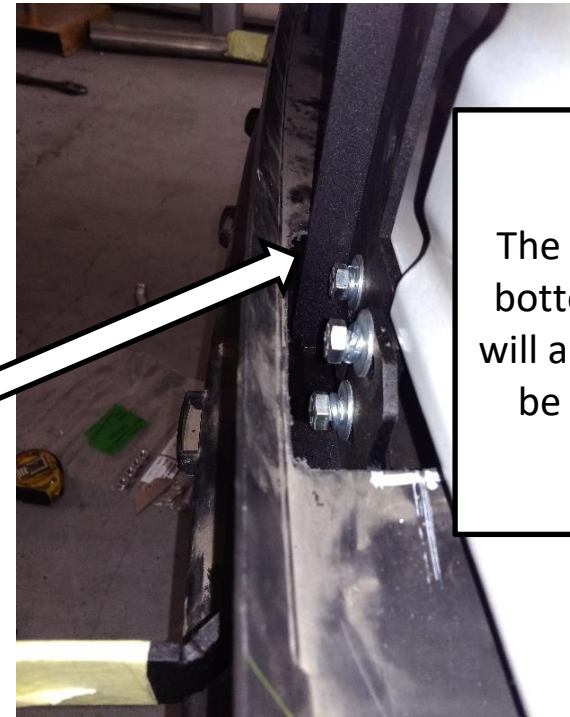
Trim the plastics as shown. Top plastic - FIG 2. Bottom plastic FIG 3.

The grill will need to be trimmed to allow the brackets to stick out

FIG 3



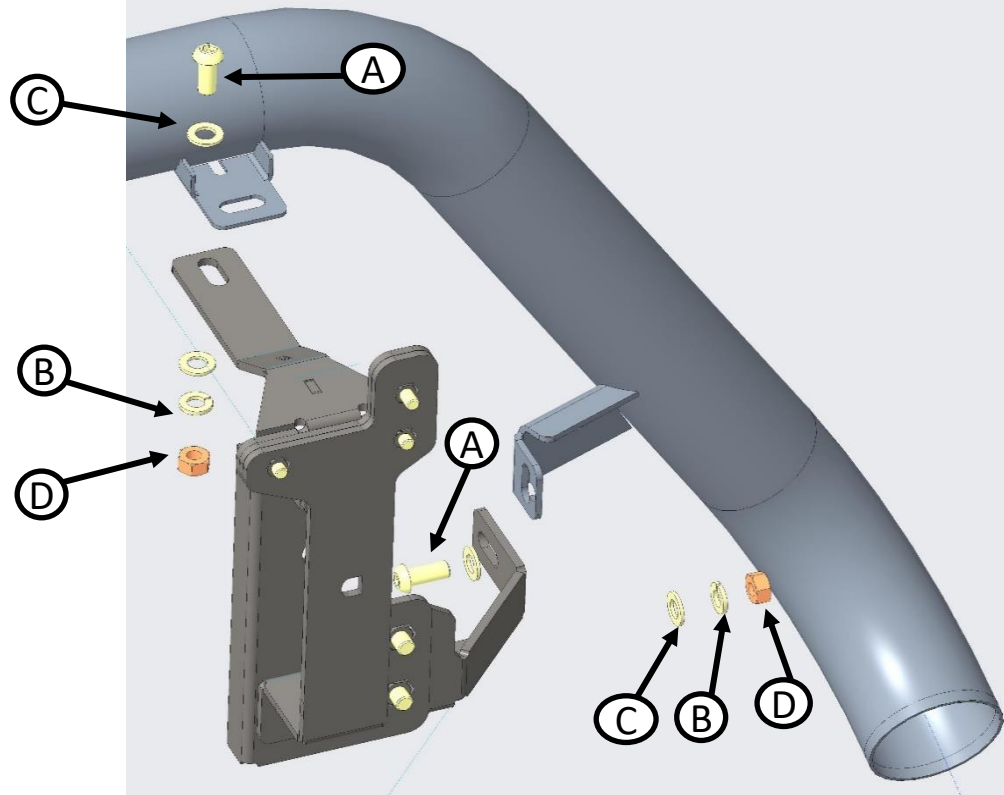
The top of the bottom plastic will also need to be trimmed



## Fitment Instruction: Ford Ecosport Facelift Nudge

Visual / Graphic Illustration

FIG 4



Step #

Description/Method

5

Mount the nudge bar onto the protruding brackets shown in FIG 4.

Make sure bar is centralised and tighten all fasteners to specified torque. M8= 22Nm , M10= 42Nm , M6= 9Nm.

