

ACCESSORY FITMENT

Product

Ford Ecosport Facelift Nudge Bar

Part no.

150063T TN : 327



60
Minutes

Models :2019

Page 1 of 7

Date :25-02-2019

DIAGRAM



Kit content:

	Qty	Description		Qty	Description
A	4	M8x20 Button heads	H	6	M6x20 Sets
B	4	M8 Spring washers	I	6	M6x16x1,6 Flat washers
C	8	M8x20x1,6 Flat washers	J	6	M6 Spring washers
D	4	M8 Hex nuts	K	6	M6x30 Sets
E	6	M8x16x1,6 Flat washers	L	2	M8x30 Sets
F	6	M8 Spring washers			
G	6	M8x20 Sets			

Additional equipment/Material needed for fitment :

Qty	Screw drivers	Qty	
	Ratchet and spanner set		
	Allen Keys		
	Masking tape		

Precautions during fitment:

Do not scratch the vehicle or the nudge bar during fitment.

Directions for use:

Read all instructions carefully before installation

**TREND AND TITANIUM FITMENT ONLY.
USE ALTERNATE FITTING INSTRUCTION
FOR AMBIENTE MODEL.**

Fitment Instruction: Ford Ecosport Facelift Nudge

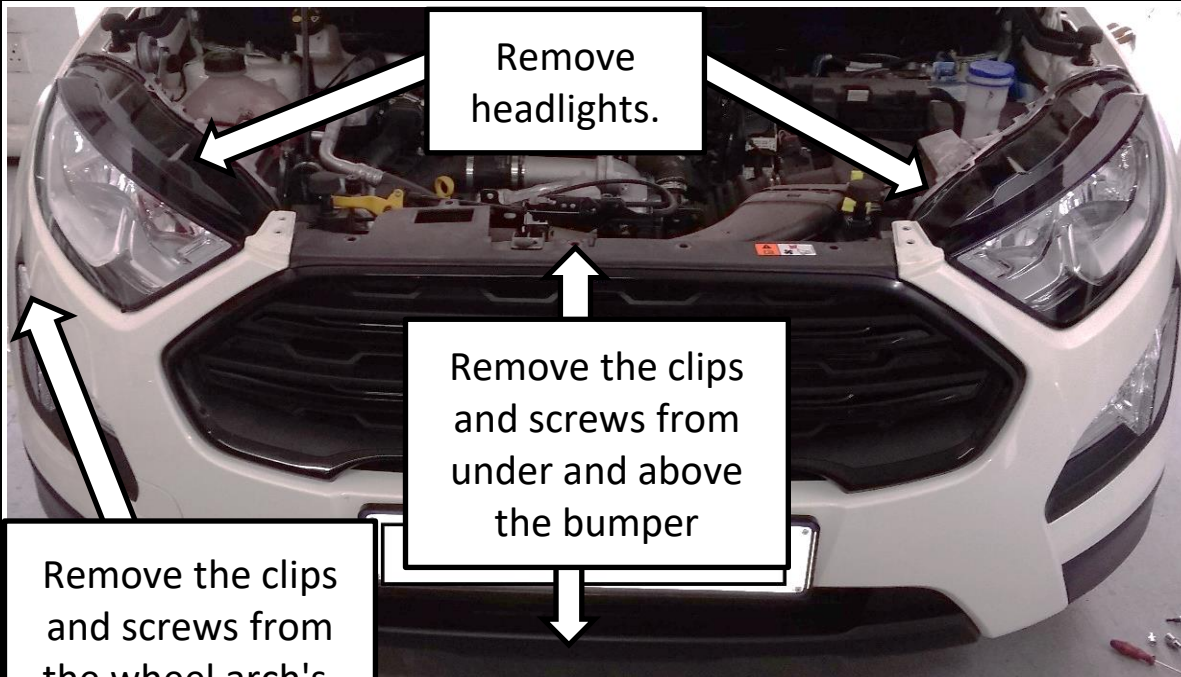
Visual / Graphic Illustration

Step #

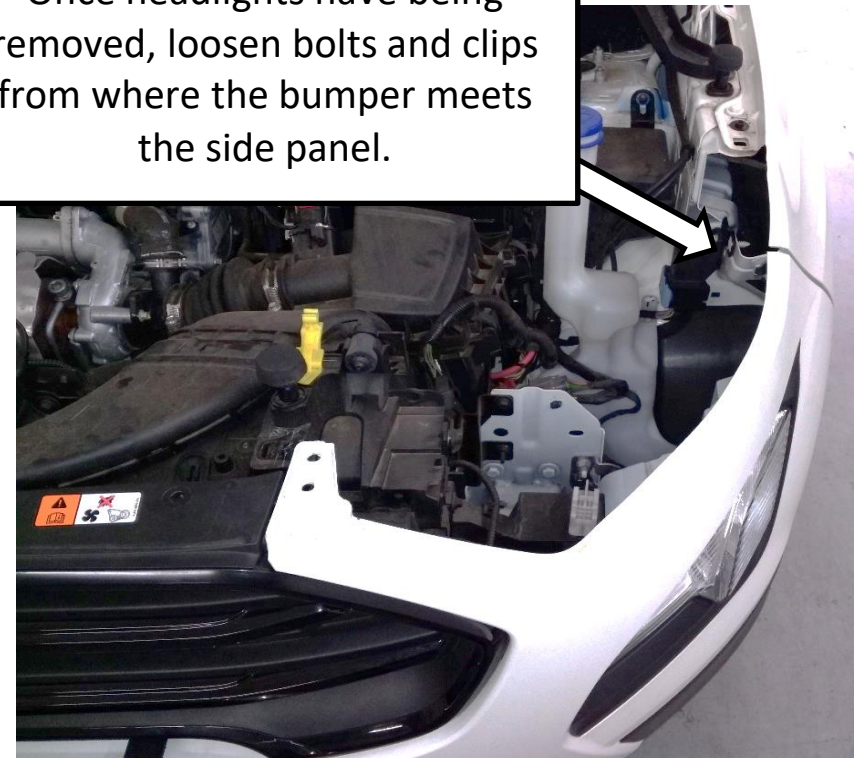
Description/Method

1

You will need to remove the front bumper as well as the headlights to fit the nudge bar.



Once headlights have being removed, loosen bolts and clips from where the bumper meets the side panel.



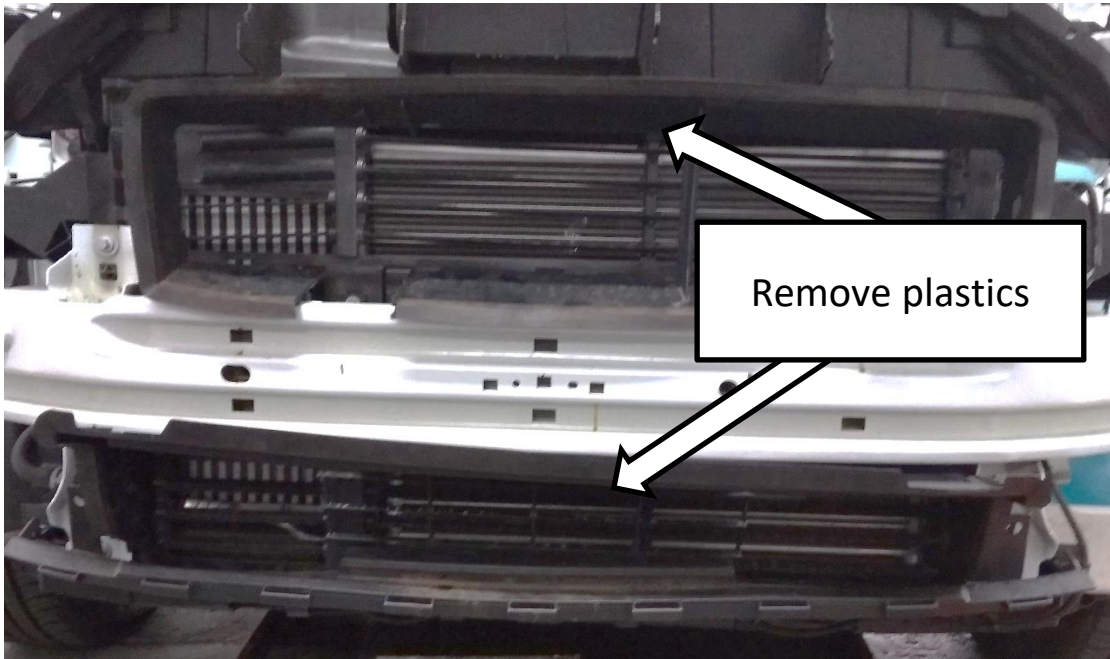
Remove the clips and screws from the wheel arch's.

Remove the clips and screws from under and above the bumper

Be careful when removing the bumper. Make sure all clips and fasteners have being removed .

Fitment Instruction:
Ford Ecosport Facelift Nudge

Visual / Graphic Illustration



Step #

Description/Method

2

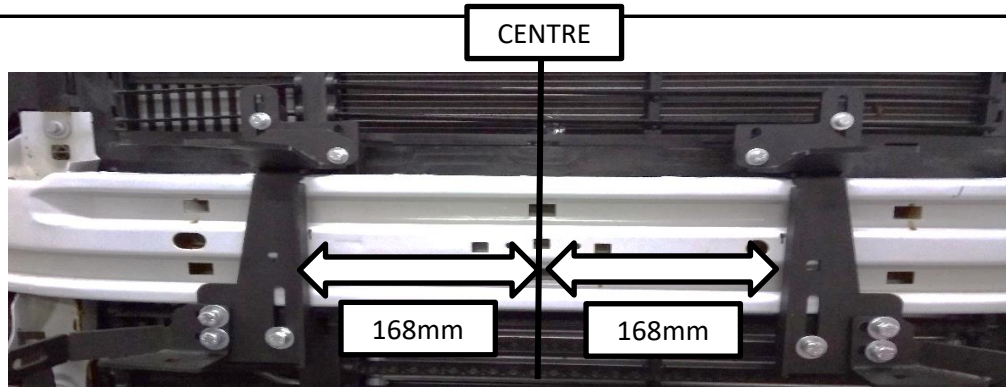
Remove the plastic covers above and below the support chassis.

Note

These plastics will need to be trimmed to allow the brackets to pass through them. This is shown on page 5.

Fitment Instruction: Ford Ecosport Facelift Nudge

Visual / Graphic Illustration



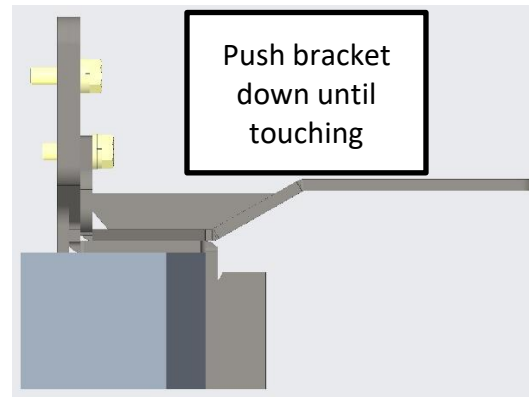
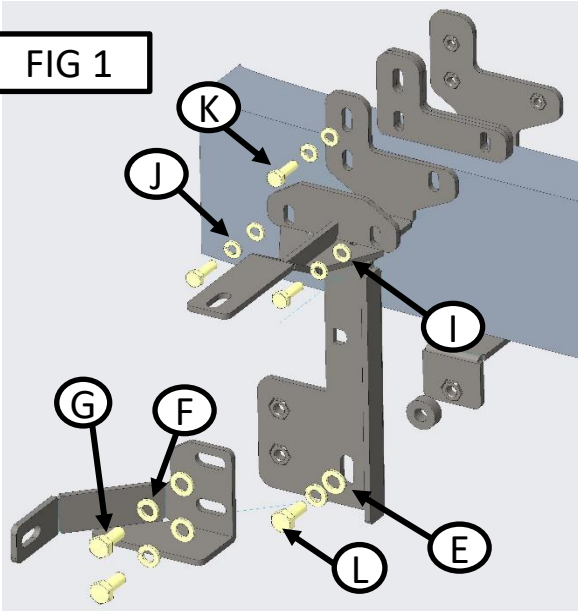
Step #

Description/Method

3

Mount the brackets as shown in FIG 1.

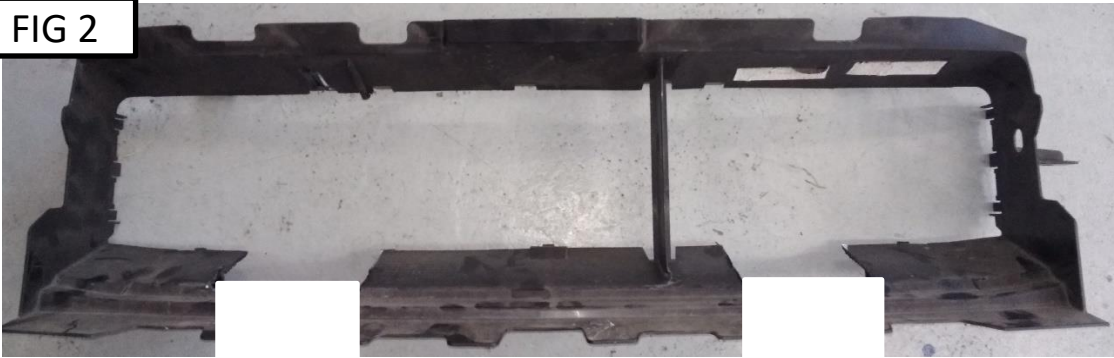
FIG 1



Fitment Instruction: Ford Ecosport Facelift Nudge

Visual / Graphic Illustration

FIG 2



Step #

Description/Method

4

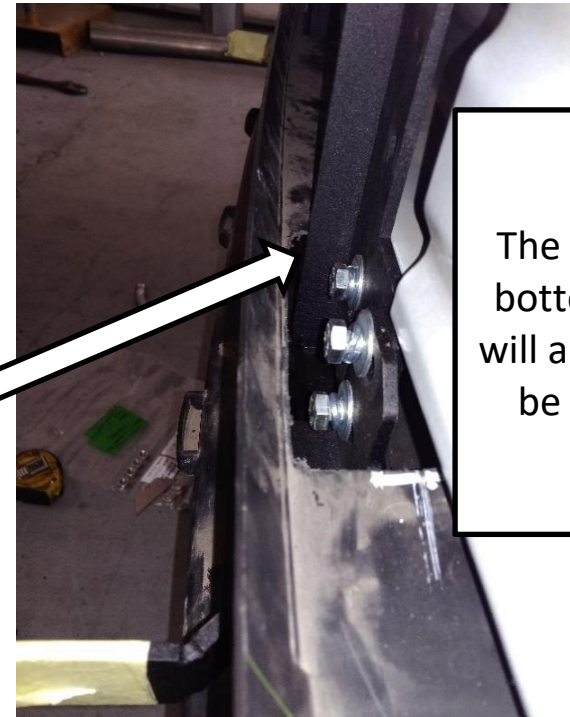
Trim the plastics as shown. Top plastic - FIG 2. Bottom plastic FIG 3.

The grill will need to be trimmed to allow the brackets to stick out

FIG 3



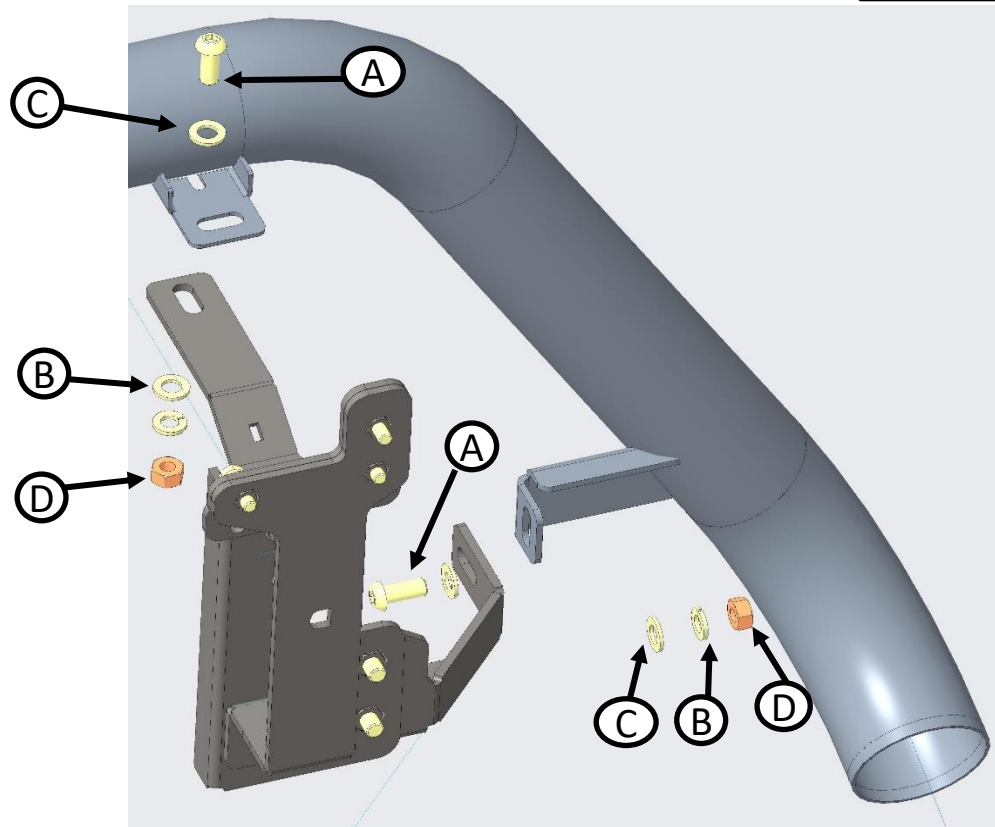
The top of the bottom plastic will also need to be trimmed



Fitment Instruction: Ford Ecosport Facelift Nudge

Visual / Graphic Illustration

FIG 4



Step #

Description/Method

5

Mount the nudge bar onto the protruding brackets shown in FIG 4.

Make sure bar is centralised and tighten all fasteners to specified torque. M8= 22Nm , M10= 42Nm , M6= 9Nm.

