

ACCESSORY FITMENT INSTRUCTION

Product

Mazda BT50 Facelift Sports Bar

Product no:

MAZ-BT50FL-SBS, 150077T (17)



60
Minutes

Models : DC, CC and SC

Page 1 of 5

Date : 30/01/2017

DIAGRAM



Kit content:

	Qty	Description		Qty	Description
A	2	LH + RH base plates	M	2	M8x25x2 Flat washer
B	2	M6x20 sets	N	1	Front sports bar
C	2	M6 Spring washers	O	1	Rear sports bar
D	2	M6 Flat washers	P	2	Oval side tubes
E	6	M8x25 Sets	Q	2	Top mount rubbers
F	12	M8x20x1.6 Flat washers	R	4	Feet rubbers
G	6	M8 Spring washers	S	2	Grommet
H	6	M8 Hex nuts			
I	4	M10 Hex nuts			
J	4	M10 Spring washer			
K	4	M10x40x3 Flat washer			
L	2	M8x90 Set			

Additional equipment/Material needed for fitment :

Qty	1	Torque wrench	1	Measuring tape
	1	Spline key set	1	Centre Punch
	1	Drill + drill bits	1	Marking pen
	1	Tectyl		

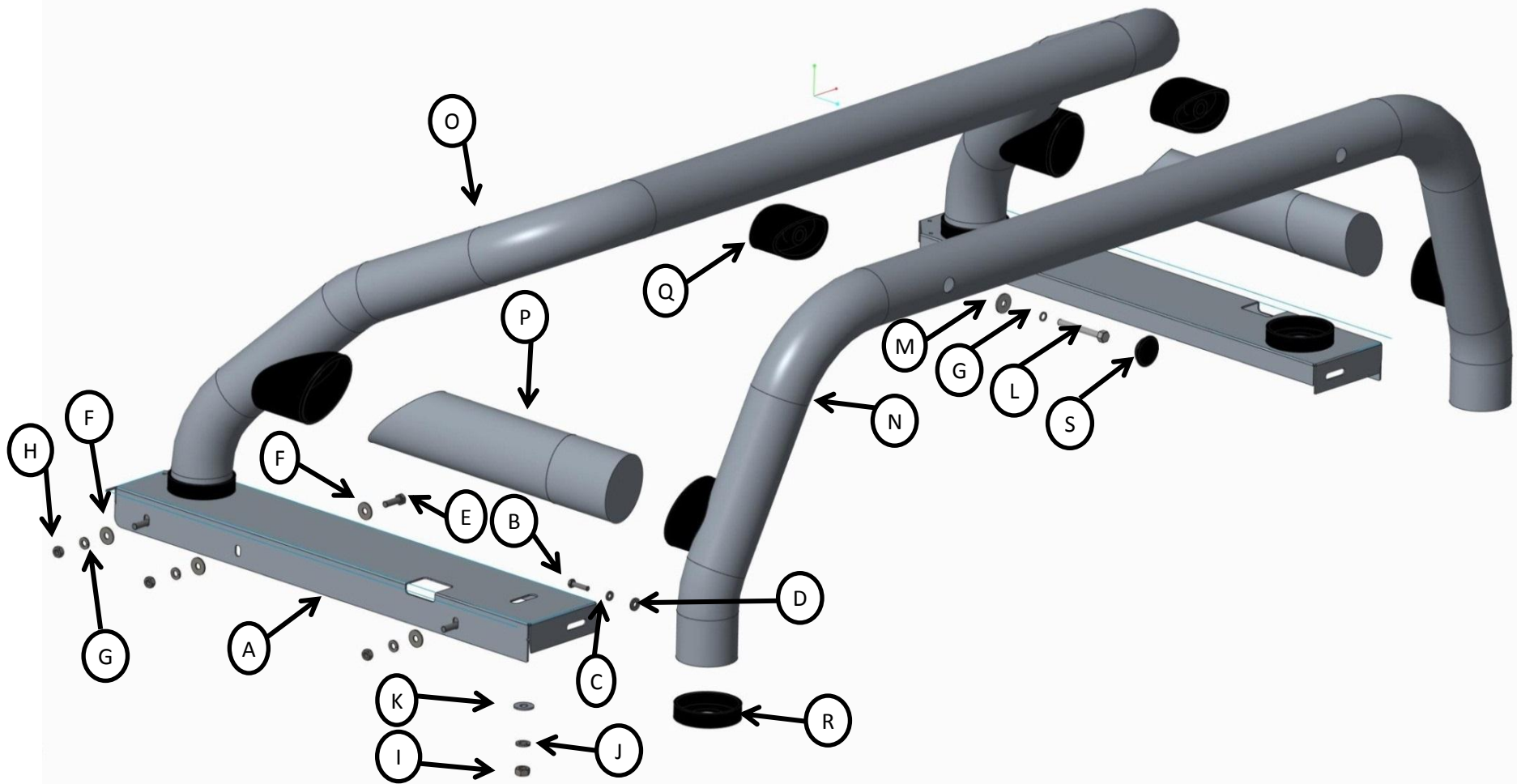
Precautions during fitment:

Do not scratch the vehicle during fitment. Do not scratch sports bar when unpacking and during fitment.

Fitment Instruction:

BT 50 SPORTS BAR

Kit Contents



Fitment Instruction:

BT 50 SPORTS BAR

MARK, DRILL AND MOUNT

M6x25 sets, M6 spring washers and an M6 flat washer



Mount front of base plate to bin



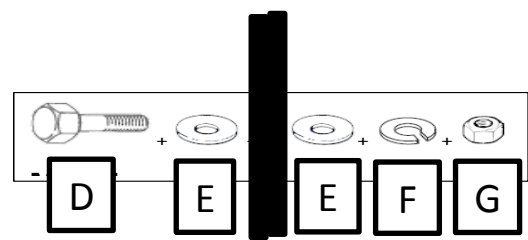
Mark and drill holes to 9mm



Existing hole in bin

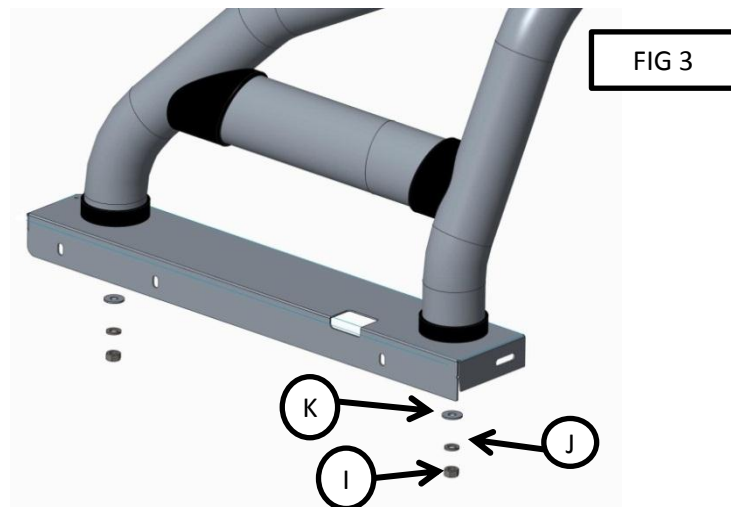
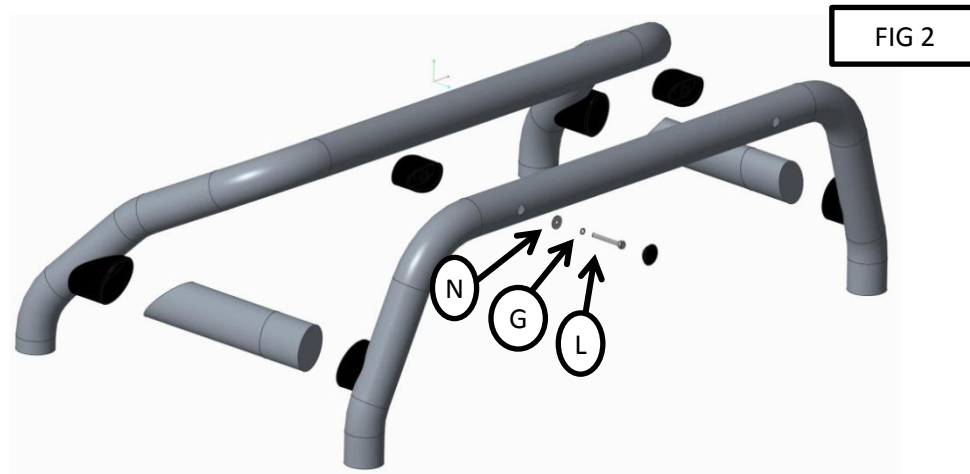


Apply tectyl to holes



Fitment Instruction:

BT 50 SPORTS BAR



2

Pre-assemble the sports bar before mounting to base plates. FIG 2

3

Place sports bar onto base plates and tighten using the KIT shown FIG 3.

Final step

Page 5 of 5

Make sure bar is centralised and tighten all fasteners to specified torque. M8= 22Nm , M10= 42Nm , M6= 9Nm.

