

ACCESSORY FITMENT INSTRUCTION

Product

NISSAN NAVARA D23 Nudge BAR STAINLESS

Part no.

170044T (Tracking No. 45)



60
Minutes

Models : ALL

Page 1 of 7

Date :10 Jan 2018

DIAGRAM



Kit content:

	Qty	Description		Qty	Description
A	4	M12 X 110 BOLTS	K	4	M8 X 22 X 1.6 FLAT WASHERS
B	8	M12 X 30 X 3 FLAT WASHERS	L	2	M8 SPRING WASHERS
C	4	M12 HEX NUTS	M	4	M8 HEX NUTS
D	4	M12 SPRING WASHERS	N	2	M8 X 25 SET SCREWS (SS)
E	4	M10 X 30 SET SCREWS	O	4	M8 X 22 X 1.6 FLAT WASHERS (SS)
F	4	M10 X 25 X 2 FLAT WASHERS	P	2	M8 SPRING WASHERS (SS)
G	2	M10 X 40 X 3 FLAT WASHERS	Q	2	DS & PS main bracket
H	2	M10 HEX NUTS	R	2	DS & PS BOTTOM BRACKET
I	4	M10 SPRING WASHERS	S	2	TOP JOIN BRACKET DS & PS
J	2	M8 X 30 SET SCREWS	T	2	DS & PS main outer bracket

Additional equipment/Material needed for fitment :

		Ratchet and Socket Set		
		Spanner Set		
		Masking Tape		

Precautions during fitment:

Wear the appropriate PPE clothing during installation.






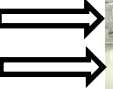
Do not cause any damage to the vehicle.

Directions for use:

Apply masking tape onto the vehicle to prevent scratches before installation.

Follow all instructions casrefully.

Fitment Instruction: Nissan Navara 2017_Nudge bar

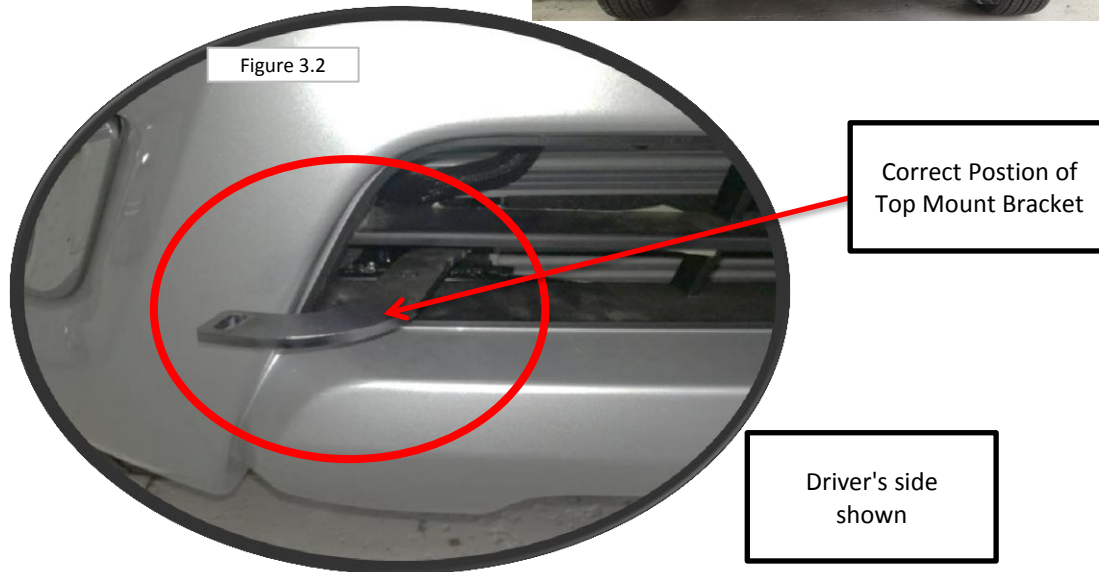
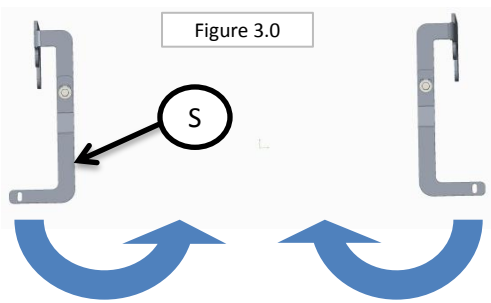
Visual / Graphic Illustration	Step #	Description/Method
<div style="display: flex; justify-content: space-around;"> <div style="text-align: center;">  <p>Figure 1.1</p> <p>Front Bumper</p> </div> <div style="text-align: center;">  <p>Figure 1.2</p> <p>Grill</p> </div> </div> <div style="text-align: center; margin-top: 20px;">  <p>Figure 1.3</p> <p>Plastic top Cover</p> </div>	<p>1</p>	<p>Begin by removing the Grill (Figure 1.2), Bumper (Figure 1.1) & Plastic Top Cover (Figure 1.4) as well as the metal sump protector cover and plastic under cover.</p>
<div style="display: flex; justify-content: space-around;"> <div style="text-align: center;">  <p>Figure 1.4</p> <p>Vehicle with Items removed</p> </div> <div style="text-align: center;">  <p>Figure 1.5</p> <p>Chassis</p> </div> </div> <div style="margin-top: 20px;"> <p>Driver's Side</p>  </div>	<p>2</p>	<p>Locate the Bottom Bracket Mounting Position on the chassis in front of the driver's side wheel as shown in Figure 1.4 & Figure 1.5.</p>

Fitment Instruction: Nissan Navara 2017_Nudge bar

Visual / Graphic Illustration	Step #	Description/Method
<p>Figure 2.1</p> <p>Chassis</p> <p>Front of vehicle</p>	<p>3</p>	<p>Fit the main mount (Q), Top join Bracket (S) & main outer bracket (T) onto the chassis as shown in Figure 2.1</p>
<p>Chassis</p> <p>Driver's side shown</p> <p>Figure 2.2</p>	<p>4</p>	<p>Fit the Bottom Bracket (R) as shown in Figure 2.2 on the inside of Main Outer Bracket (T).</p>
<p>Chassis</p> <p>Figure 2.2</p>	<p>5</p>	<p>Do the same to the other side of the vehicle</p>

Fitment Instruction: Nissan Navara 2017_Nudge bar

Visual / Graphic Illustration



Step #

Description/Method

6

Swivel the Top joint brackets inwards to assist with the replacement of the front bumper as shown in Figure 3.0,

7

Replace the bumper as shown in Figure 3.1

8

Ensure that the Top mount brackets are in the correct position as shown in Figure 3.2.

Fitment Instruction: Nissan Navara 2017_Nudge bar

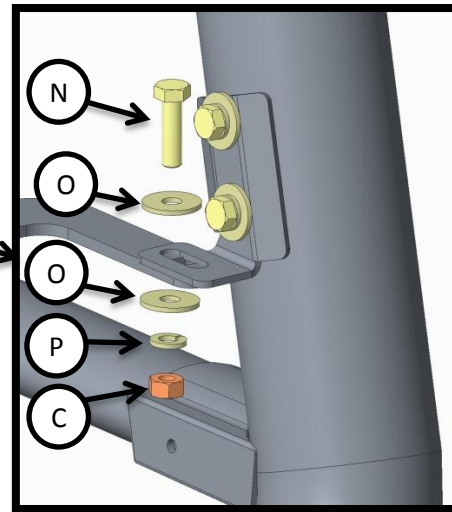
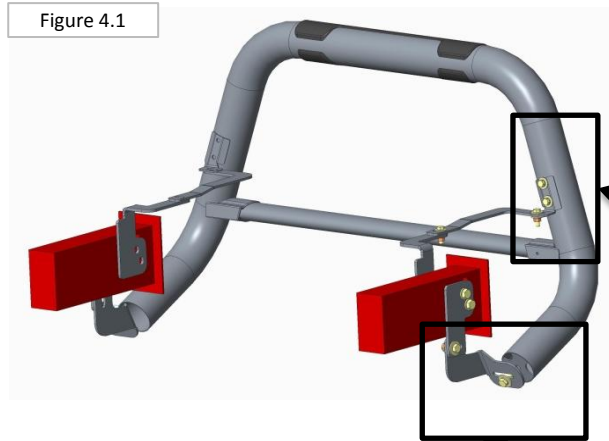


Figure 4.2

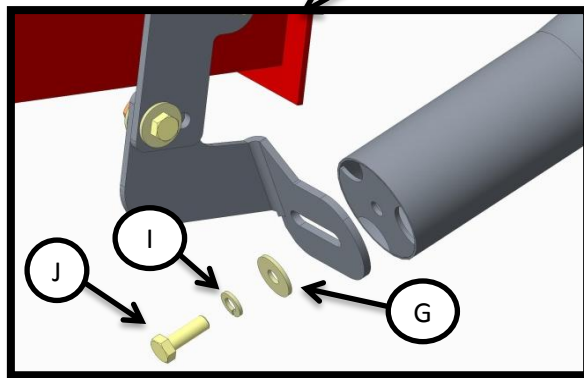


Figure 4.3

Driver's side
shown

9

Fit the Nudge bar as shown in Figure 4.1,
Figure 4.2 & Figure 4.3.

Fitment Instruction: Nissan Navara 2017_Nudge bar

Figure 5.0



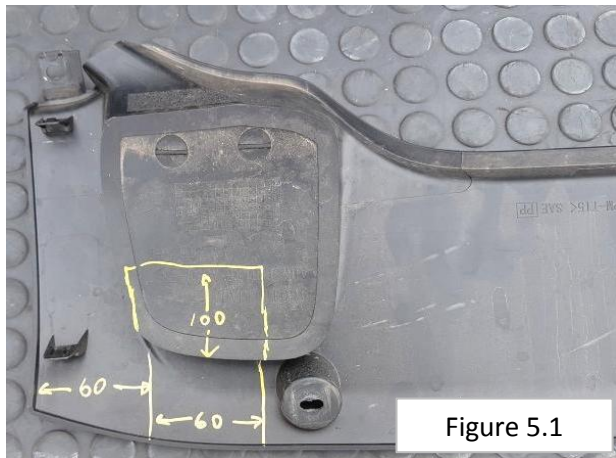
Top Plastic Cover

10

Trim the Top Plastic Cover to accommodate for the Top Join Brackets as shown in Figure 5.0.

11

Trim the Plastic Bottom Undercover as shown in Figure 5.1. Trim the Passenger side corner with the same dimensions.



Bottom Plastic under cover
(Dimensions shown on drivers side)

Figure 5.1

12

Replace all item that were removed in instruction No. 1

Final step

Page 7 of 7

Make sure bar is centralised and tighten all fasteners to specified torque. M8= 22Nm , M10= 42Nm , M6= 9Nm.

