

ACCESSORY FITMENT INSTRUCTION

Product

NP300 Sports Bar

Product No:

170056T & BS-170056

TN : 379



60
Minutes

Models : ALL

Page 1 of 5

Date : 18-Feb-2020

DIAGRAM



Kit content:

	Qty	Description		Qty	Description
A	6	M8x25 Set	M	4	M6 Spring washers (Black)
B	12	M8x22x1.6 flat washer	N	2	M6 Hex nuts
C	6	M8 Spring washers	O	1	Front Tube
D	6	M8 Hex nuts	P	1	Rear Tube
E	2	M8x90 Sets	Q	2	Base Plates
F	2	M8x25x2 Flat washer	R	4	Feet Rubbers
G	2	M8 Spring washers	S	2	Corner Rubber (base plate)
H	4	M10 Nuts	T	2	Grommets
I	4	M10x30x2 Flat Washers	U	2	Top mount rubbers
J	4	M10 Spring Washer	V	6	Load Spread Plate (Short)
K	4	M6x20 Set (Black)	W	2	Support Brackets
L	6	M6x20x1.6 Flat washers (Black)			

Additional equipment/Material needed for fitment :

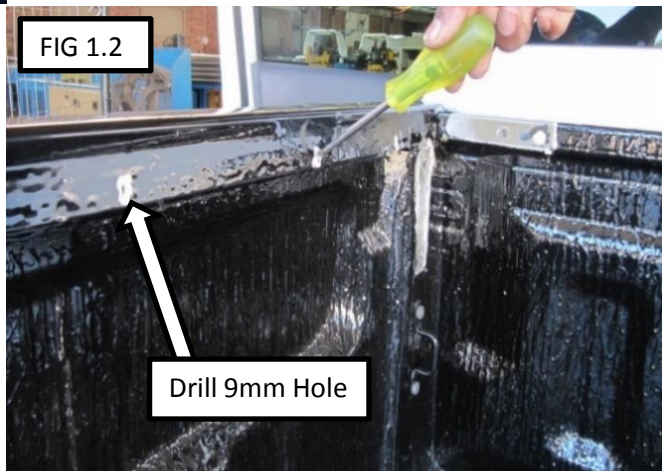
Qty	1	Spanner Set + extension	1	Drill
	1	Torque wrench	1	9mm Drill bit
	1	Masking tape	1	Tectyl
	1	Marking pen	1	Centre punch

Precautions during fitment:

Ensure you have an adequate working space. Requires two people for fitment. Ensure that the correct tools are used and be careful not to scratch the vehicle or parts.

Fitment Instruction:**NP300 Sports Bar**

Visual / Graphic Illustration



Step 1

Description/Method

Step 1.1

Place The base plate in the front corner of the bin, so that the holes in the base plate are on the bin side(as shown in fig 1.1). It would be a good idea to clamp the base plate down, so it does not move for the next step.

Step 1.2

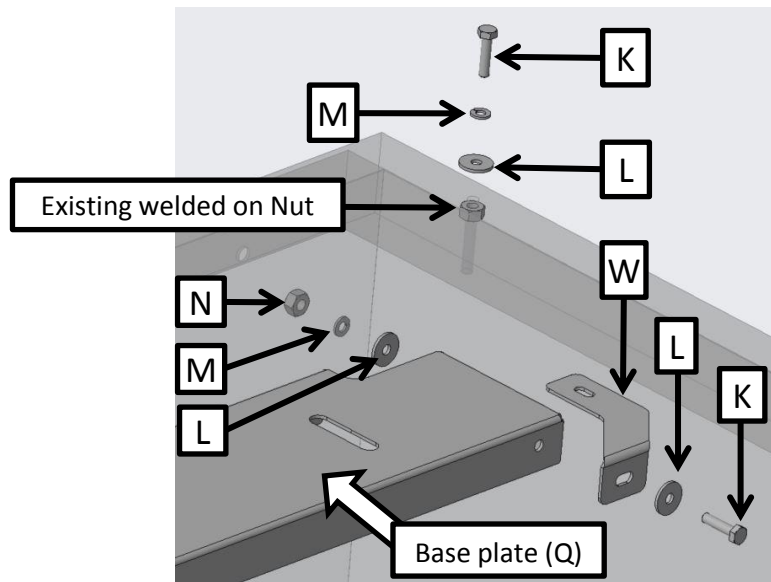
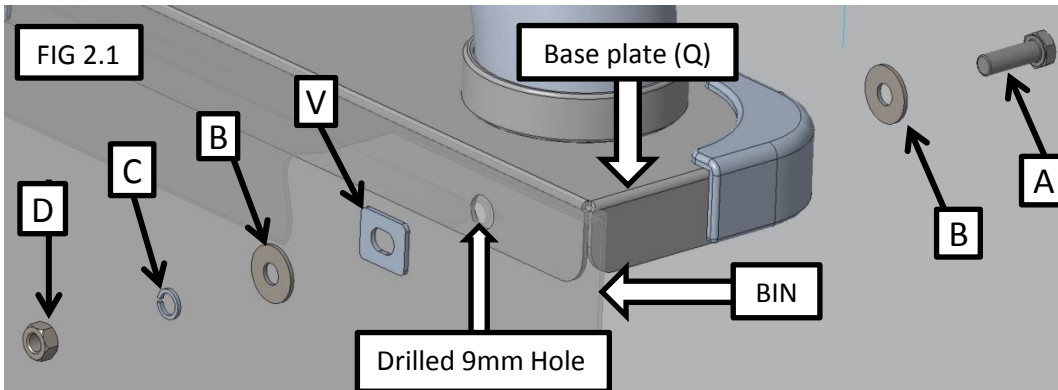
Once the base plate is clamped, you will need to mark the locations that you will need to drill (as shown in fig 1.2). You must mark the bin using the centre of the holes on the base plates

Step 1.3

Centre punch the centre of the mark you made in the previous step to keep it accurate. Once centre punched you must drill through the bin plate using a 9mm drill bit.

Fitment Instruction: NP300 Sports Bar

Visual / Graphic Illustration



Step 2

Description/Method

Step 2.1

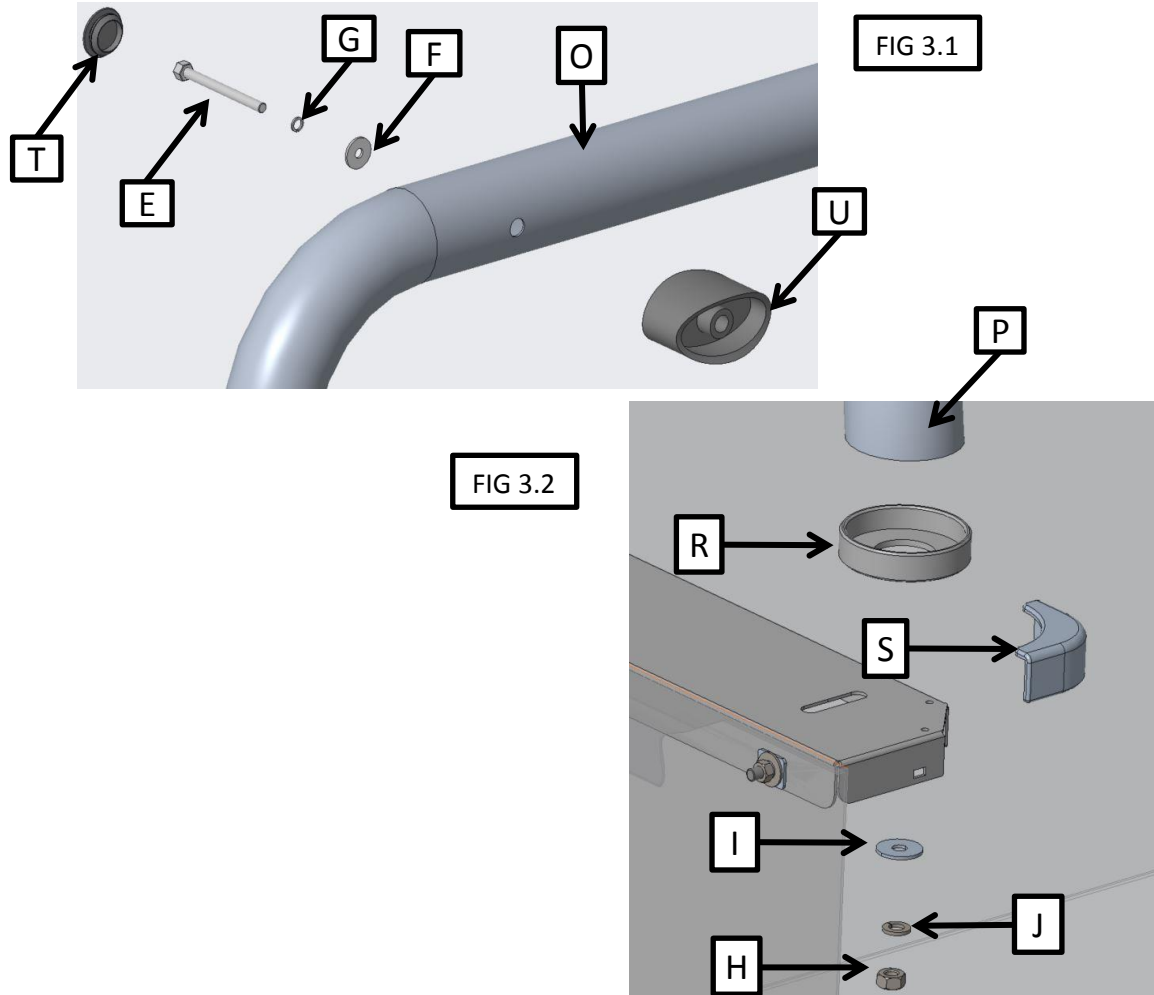
You can now bolt the base plates onto the bin using the holes you have just drilled (as shown in fig 2.1). The front of the base plate uses a support bracket as there is no place to drill.

Step 2.2

Bolt on the support bracket(W) at the front of the base plate as shown in Fig 2.2

Fitment Instruction: NP300 Sports Bar

Visual / Graphic Illustration



Step 3

Description/Method

Step 3.1

Assemble the sports bar using kit as shown in Fig 3.1.

Step 3.2

Mount the sports bar onto the base plates using the kit, shown in fig 3.2 .

COMPLETE