

ACCESSORY FITMENT INSTRUCTION

Product

Isuzu KB Securi-Lid Sports Bar &
VW Amarok Securi-Lid Sports Bar

Part no.

160008-SEC1 , BS-160008-SEC1 , 250022-SEC1 & BS-250022-SEC1



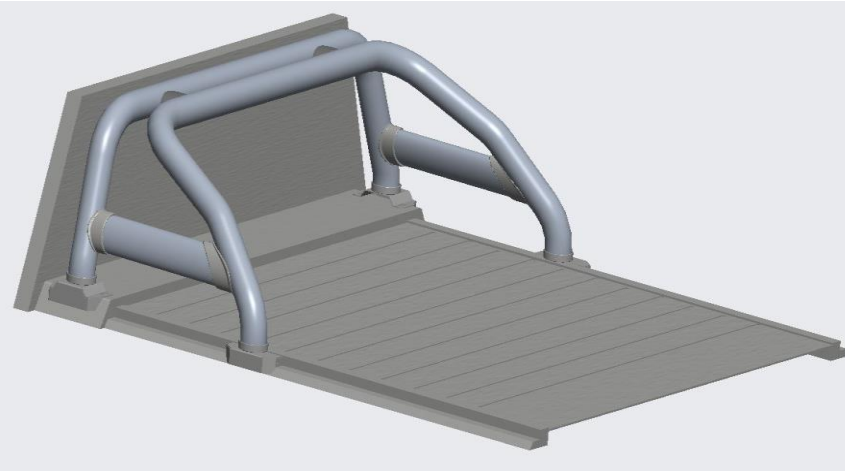
60
Minutes

Models : DCAB

Page 1 of 7

Date :20/01/2020

DIAGRAM



Images used in this fitting
instruction may vary from
actual product.

Kit content:

	Qty	Description		Qty	Description
A	4	M8x35 Set (Black)	P	2	Rear mount plates
B	4	M8x16 Button head	Q	4	Grommets
C	12	M8x22x1.5 Flat washers (Black)	R	2	Front cover
D	12	M8 Spring washers (Black)	S	2	Rear cover
E	4	M6x20 Set (Black)	T	4	Foot Rubbers
F	4	M6x16x1.6 Flat washers (Black)	U	2	Middle rubbers
G	4	M6 Spring washers (Black)	V	1	Front bar
H	4	M8x35 Sets	W	1	Rear Bar
I	2	M8x90 Sets			
J	2	M8 Spring washer			
K	2	M8x25x2 Flat washer			
L	4	M8 rexroth Bosch T-nuts			
M	4	M6 Cap Covers			
N	4	M8 Cap Covers			
O	2	Side tubes			

Tools Required:

Qty		Ratchet and spanner set	Qty		Screw Drivers
	1	Allen Key Set	1		Spanner Set
	1	Side cutters			

Directions for use:

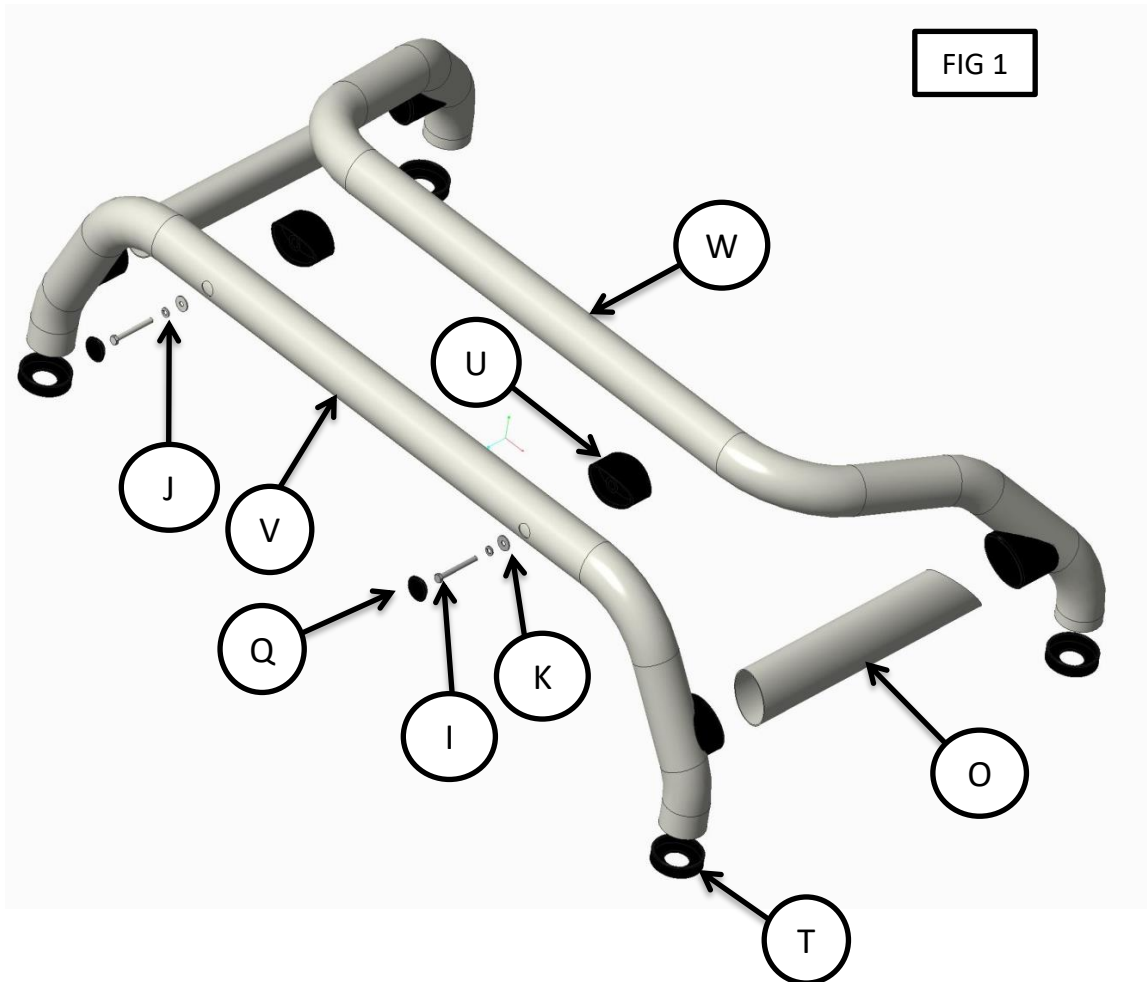
Please read fitting instructions carefully before starting. Be careful not to scratch the vehicle in any way. Two people are required for this fitment.

Fitment Instruction: Securi lid sports bar

Visual / Graphic Illustration

Step #

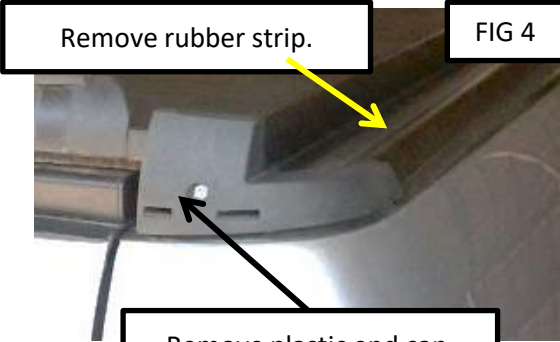
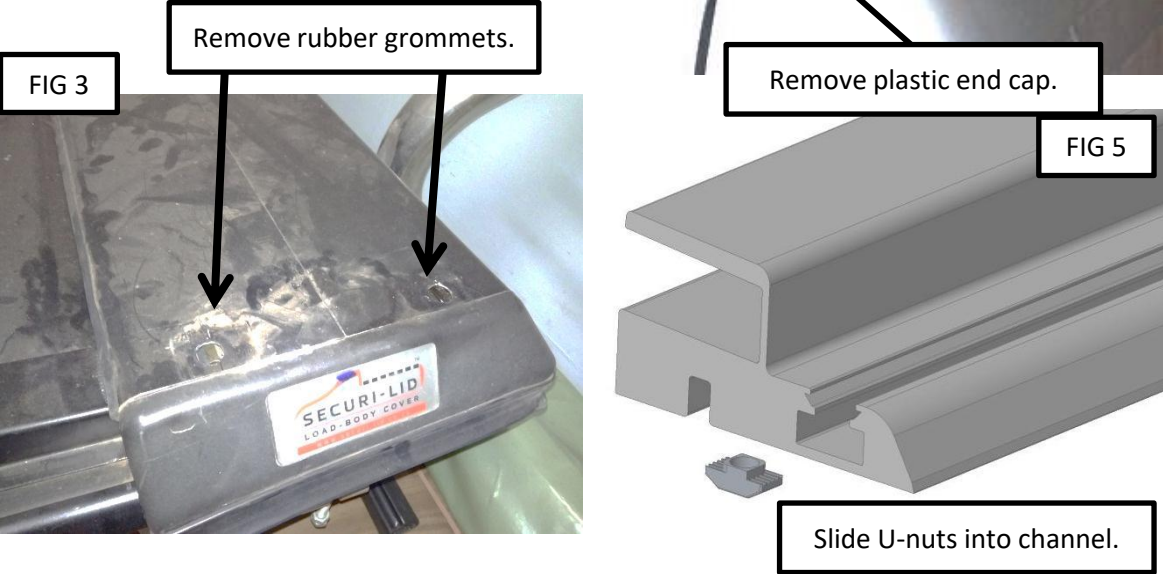
Description/Method



1

Assemble the front and rear bars together as shown in FIG 1. Do to both side of the sports bar. Leave loose for easier fitment of side plates in the next step.

Fitment Instruction: Securi lid sports bar

Visual / Graphic Illustration	Step #	Description/Method
 <p>Remove rubber strip. FIG 4</p> <p>Remove plastic end cap.</p>	2	Remove front grommets (FIG 3). and rubber trim(FIG 4) from securi lid. Rear plastic needs to be removed to do so.
 <p>Remove rubber grommets. FIG 3</p> <p>FIG 5</p> <p>Slide U-nuts into channel.</p>	3	Add T-Nuts to channel in securi lid. (FIG 5)

Fitment Instruction: Securi lid sports bar

Visual / Graphic Illustration

Step #

Description/Method

FIG 6

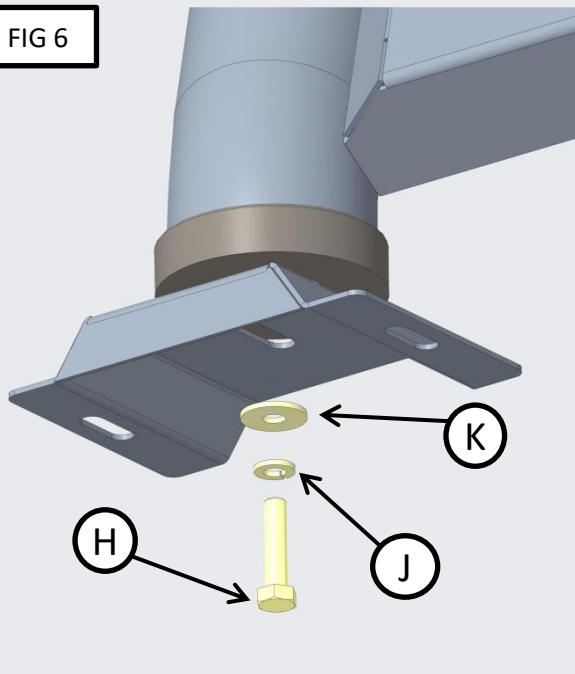
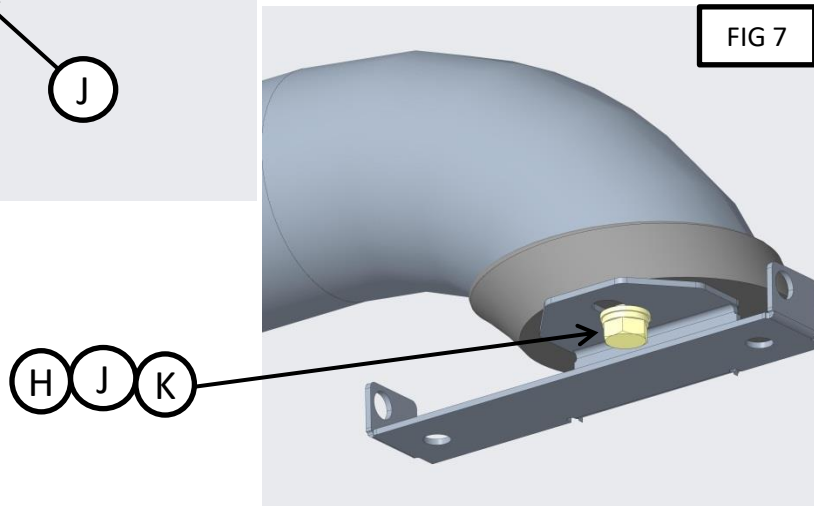


FIG 7



4

Mount the front mount plates onto the sports bar. (FIG 6).
Leave loose.

5

Mount the front mount plates onto the sports bar. (FIG 7).
Leave loose.

Fitment Instruction:

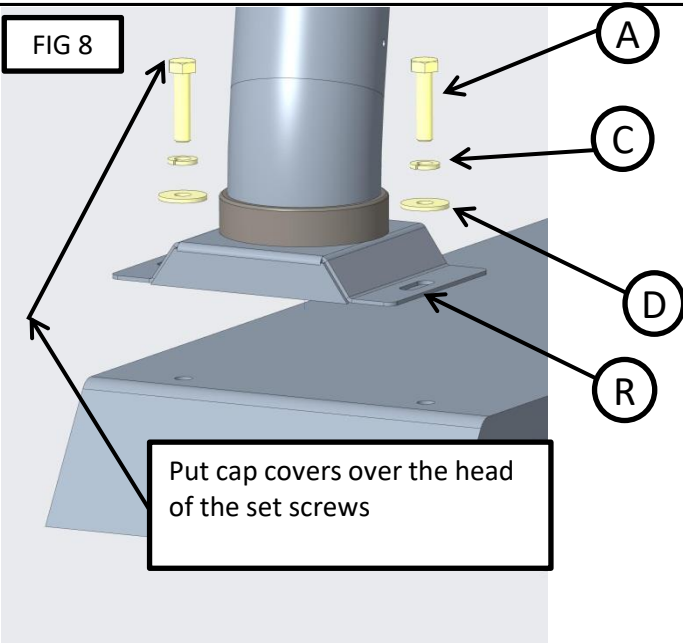
Securi lid sports bar

Visual / Graphic Illustration

Step #

Description/Method

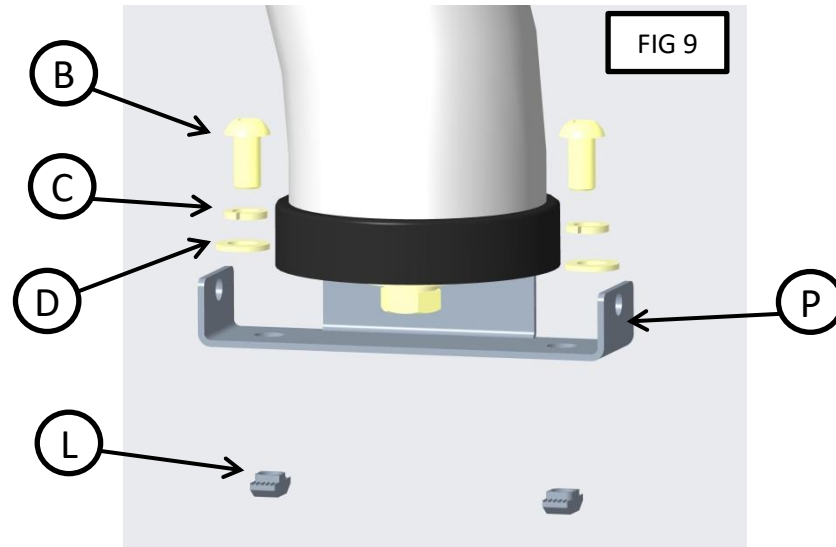
FIG 8



6

Assemble the sports bar onto the securi lid. Front (FIG 8), Rear (FIG 9).

FIG 9



Fitment Instruction:
Securi lid sports bar

Visual / Graphic Illustration

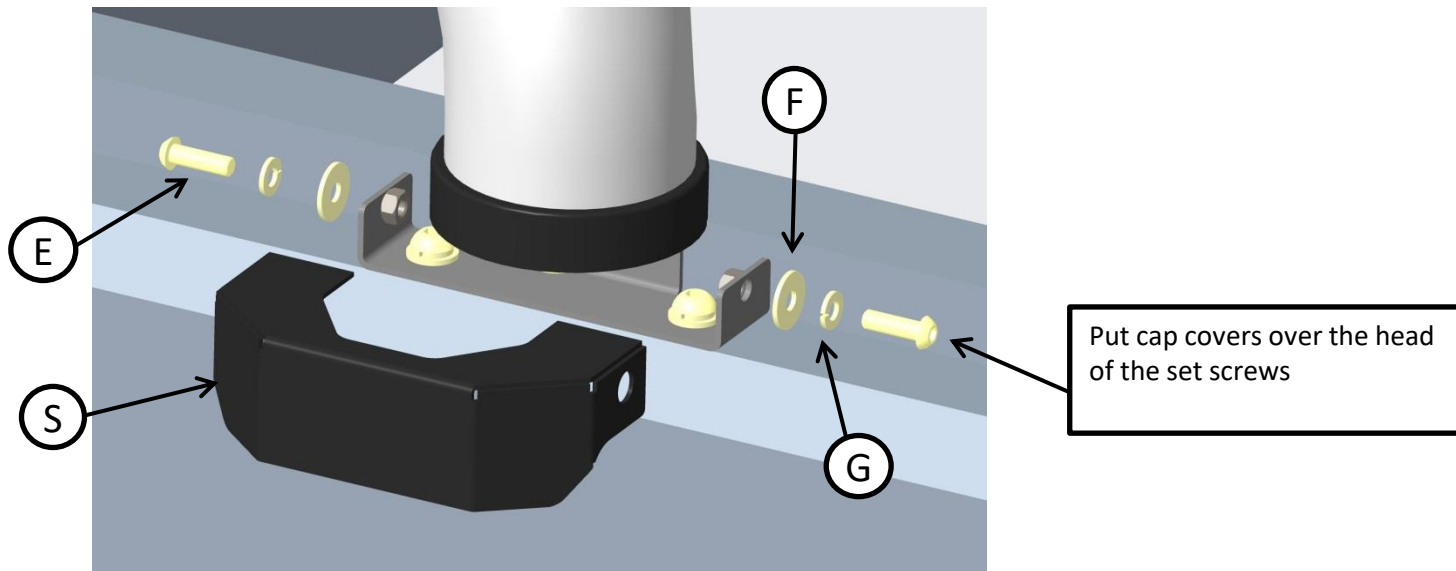
Step #

Description/Method

7

Mount rear cover. (FIG 10)

FIG 10



Final step

Page 7 of 7

Make sure bar is centralised and tighten all fasteners to specified torque. M8= 22Nm , M10= 42Nm , M6= 9Nm.

