



# ACCESSORY FITMENT

**Product**

Mitsubishi Triton LC200 Side Steps Double Cab Stainless

**Part no.**

**30073** (Tracking No. 111)



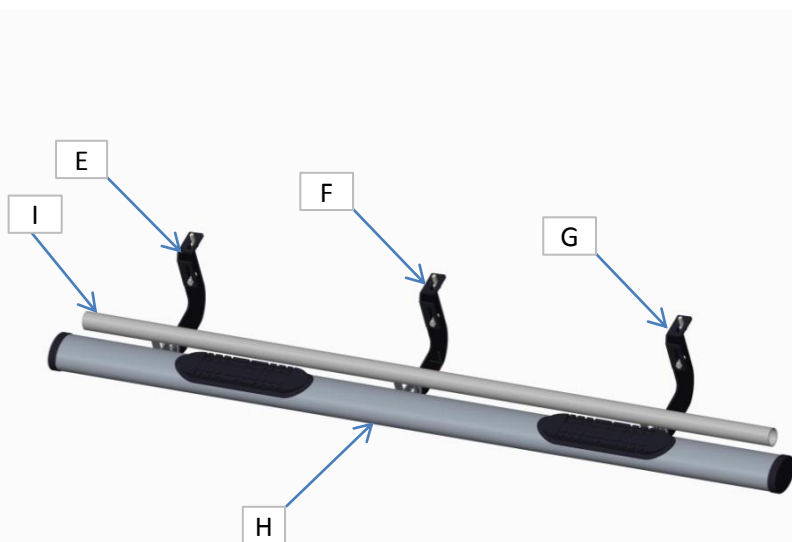
60  
Minutes

Models : Double Cab

Page 1 of 5

Date : 10-Nov-2016

**DIAGRAM**



**Kit content:**

	Qty	Description		Qty	Description
A	24	M8x25 Sets	H	2	Oval Side Step
B	48	M8x22x2 Flat Washers	I	2	38 Tube
C	30	M8 Spring Washers			
D	24	M8xHex Nuts			
E	2	Front Mount Brackets (PS & DS)			
F	2	Middle Mount Brackets (PS & DS)			
G	2	Back Mount Brackets (PS & DS)			

**Additional equipment/Material needed for fitment :**

Qty			Qty	
1		Ratchet Set		
1		Spanner Set		
1		Torque Wrench		

**Precautions during fitment:**

Please take precaution when installing side step to prevent any damages to the vehicle and the side step.

**Directions for use:**

Please follow the steps below, numbered 1 to 7



## Fitment Instruction: Mitsubishi Triton 2017\_Side Steps

Visual / Graphic Illustration

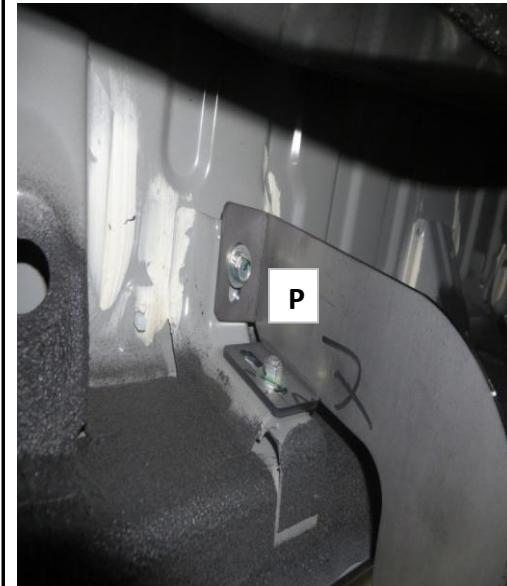
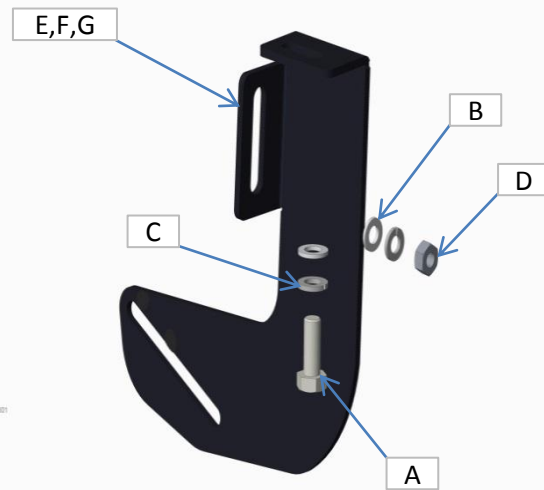


Figure 1



Step No.

Description/Method

1

Remove running boards. Keep note of where the brackets are being removed as the new brackets will take the same place

2

Mount Bracket labelled P to the front, middle & back passenger side of the vehicle using the kit shown in Figure 1

3

Fully tighten and do the same to the driver side of vehicle.



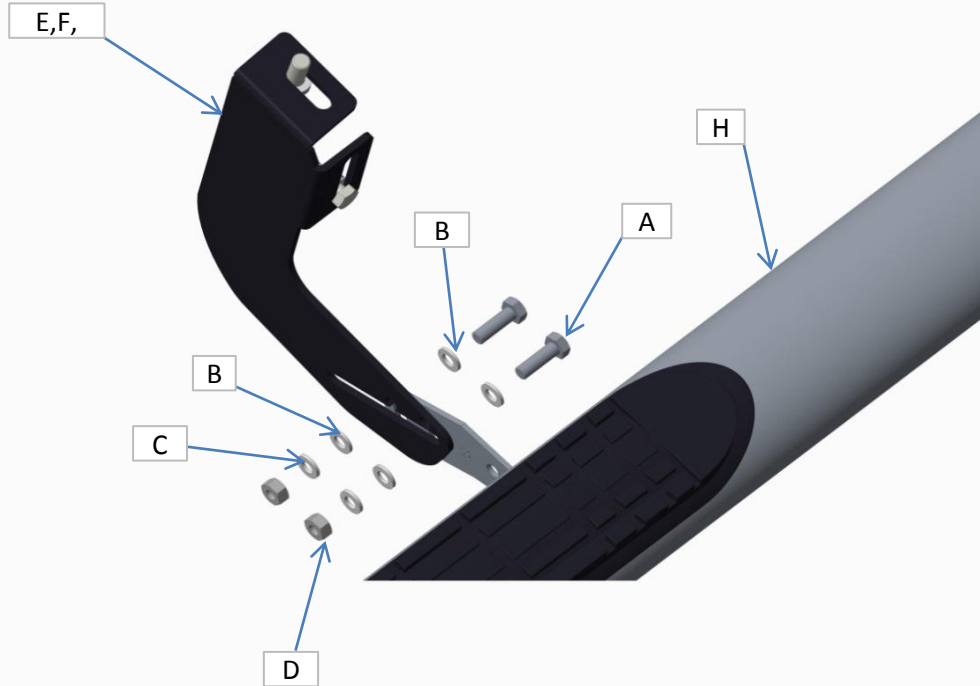
### Fitment Instruction: Mitsubishi Triton 2017\_Side Steps

Visual / Graphic Illustration

Step No.

Description/Method

Figure 2



4

Place the side step to the protruding brackets as shown in Figure 2. Do not tighten fully



### Fitment Instruction: Mitsubishi Triton 2017\_Side Steps

Visual / Graphic Illustration

Step No.

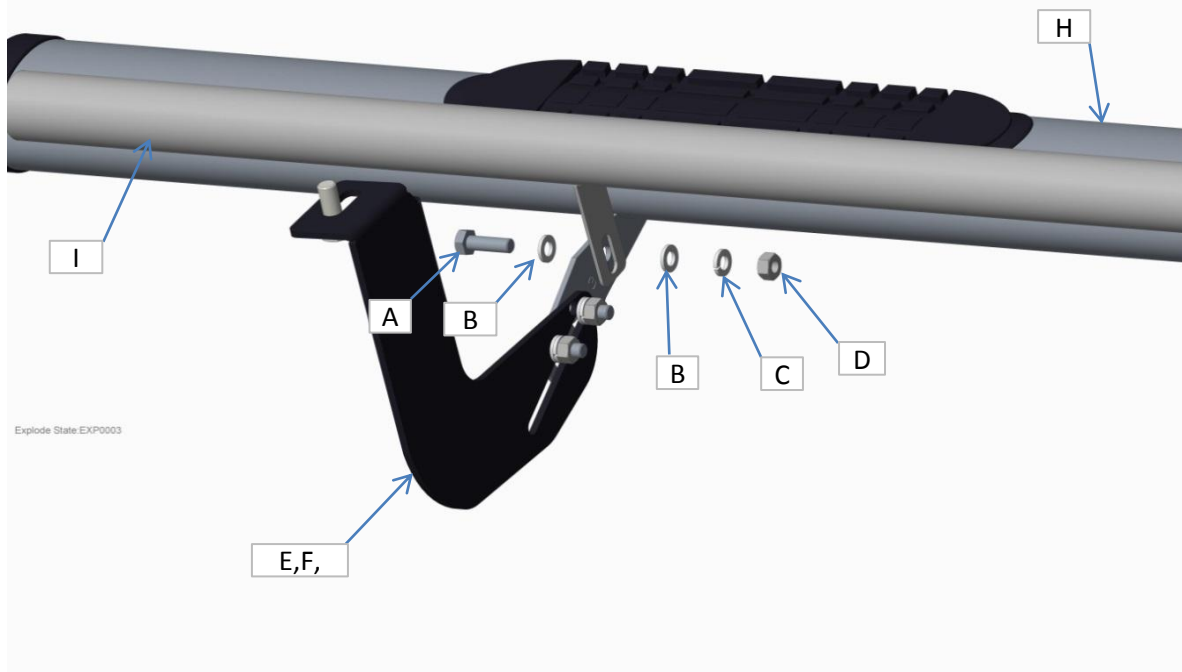
Description/Method

Step 5

Place the 38 tube onto the mounting brackets as shown in figure3.

Step 6

Repeat above steps on driver side of vehicle



Make sure bar is centralised and tighten all fasteners to specified torque. M8= 22Nm , M10= 42Nm , M6= 9Nm.



### WARRANTY

1. If any product manufactured by ARTAV is found to be defective during a period of twelve (12) months after the date of purchase , ARTAV shall repair (at ARTAV's discretion) the defective product or part.
2. Any defect in a product distributed by ARTAV , but not manufactured by ARTAV, shall be dealt with in accordance with , and to the extent of , the warranty offered by the manufacturer of the product.
3. ARTAV does not warrant that the products manufactured by it comply with the laws of the place where the products are being purchased or used. It is the responsibility of the purchaser to ascertain whether products being purchased - or affiliation of these products to any other object - comply with the local laws.
4. Except to the extent described in this warranty , ARTAV shall not be liable for any other claim , including those claims arising from faulty design , the use of the product on any indirect special or consequential damage or injury to any person , company or any other entity.
5. Modification or alteration to any product manufactured by ARTAV to enable fitment in conjunction with other vehicle accessories or modifications ( eg lift kits) will void warranty claims.