




ACCESSORY FITMENT INSTRUCTION

Product	FIAT FULLBACK SPORTS BAR	
Product No:	310011T /114	
	60	Models : Dcab
	Minutes	Page 1 of 6
		Date :

DIAGRAM



Kit content:

	Qty	Description		Qty	Description
A	2	M8x90 Set	L	2	Top rubbers
B	18	M8x22x1.6 Flat washer	M	4	Feet rubbers
C	10	M8x25 Sets	N	2	grommet
D	6	M8 Hex nuts	O	2	Corner rubbers
E	12	M8 spring washers	P	1	Front bar
G	4	M10 Hex nuts	Q	1	Rear bar
H	4	M10 Spring washers	R	2	Side Tubes
I	4	M10x40x3 Flat washers		1	Rivnut tool
J	4	M8 Riv nuts			
K	2	Base plates LHS + RHS			

Additional equipment/Material needed for fitment :

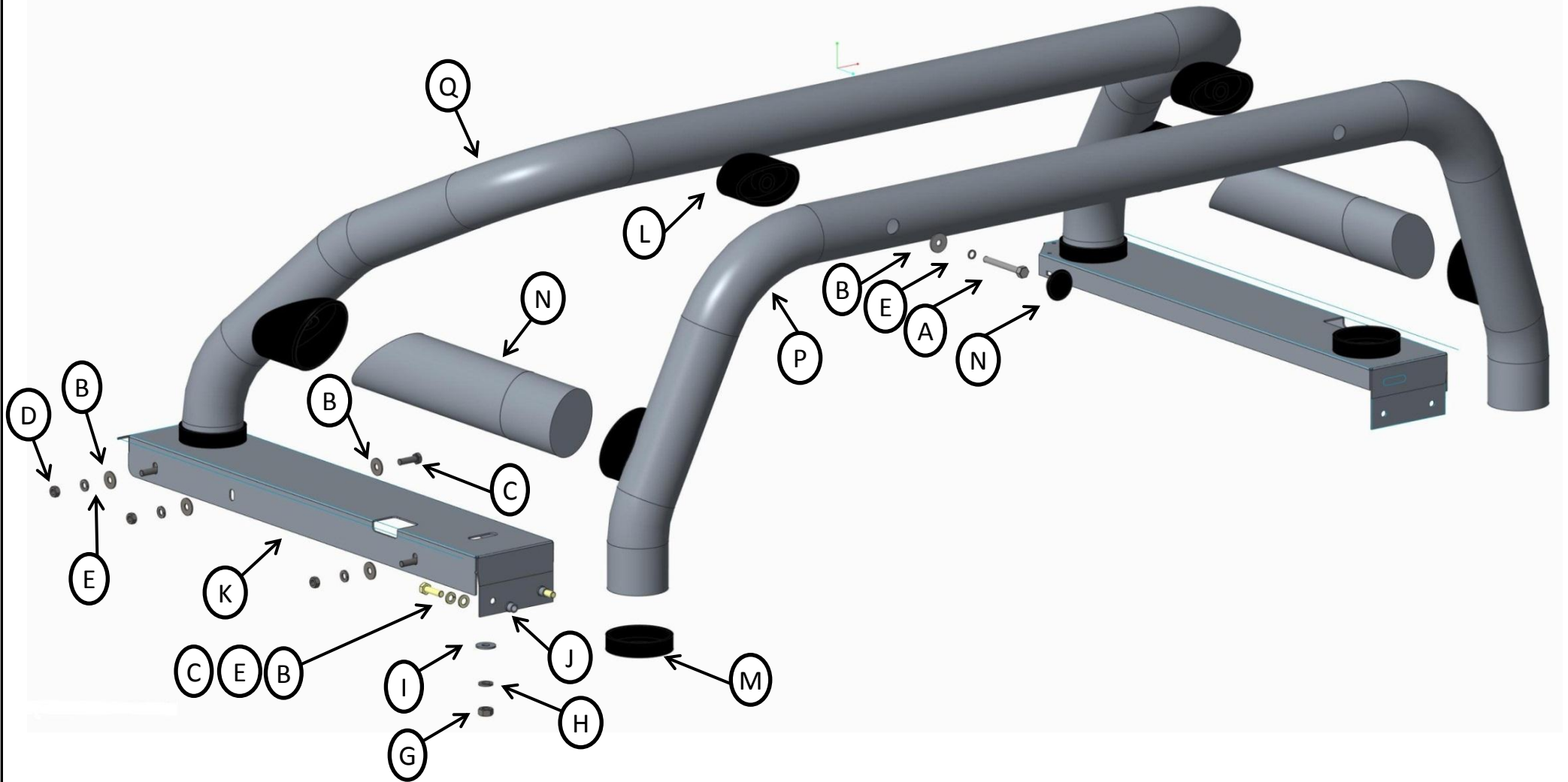
Qty		Qty	
1	Spanner Set + extension	1	drill
1	Screw driver set	1	9mm + 11.5mm Drill bit
1	Torque wrench	1	tectyl
		1	Centre punch

Precautions during fitment:

Ensure you have an adequate working space. Requires two people for fitment. Ensure that the correct tools and appropriate clothing are used with installation.



Fitment Instruction: FULLBACK SPORTS BAR



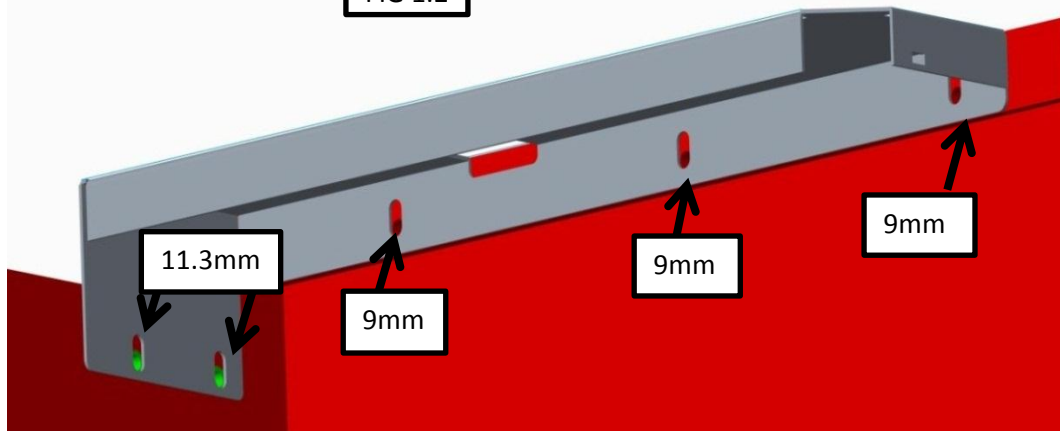


Fitment Instruction: FULLBACK SPORTS BAR

Visual / Graphic Illustration



FIG 1.2

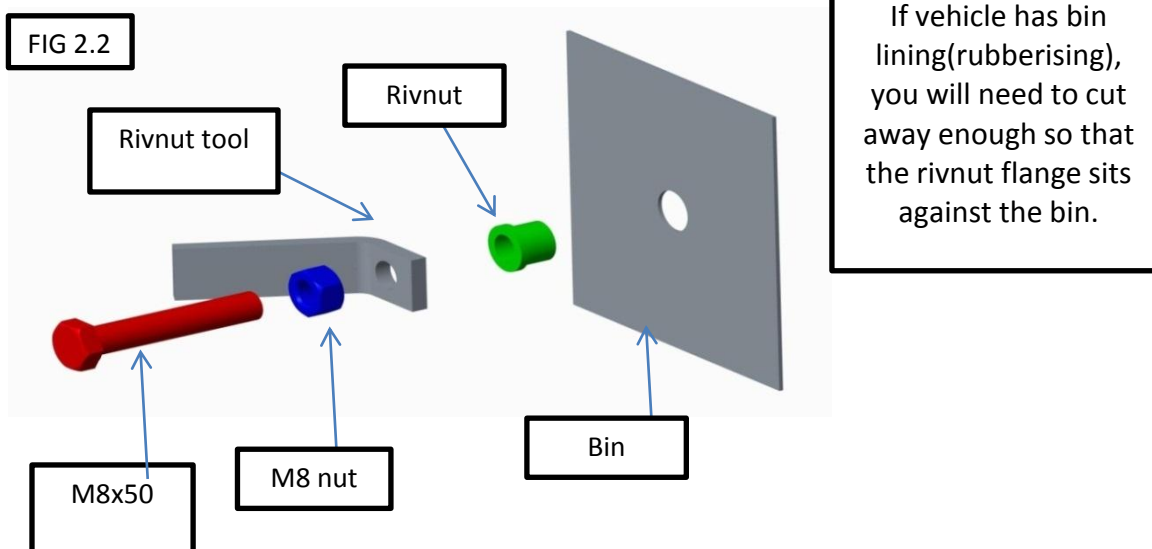


Step #	Description/Method
Step 1.1	Place The base plate in the front corner of the bin, so that the holes in the base plate are on the bin side(as shown in fig 1.1). It would be a good idea to clamp the base plate down, so it does not move for the next step. Repeat to other side of vehicle
Step 1.2	Once the base plate is clamped, you will need to mark the locations that you will need to drill FIG 1.2. You must mark the bin using the centre of the holes on the base plates. Repeat to other side of vehicle
Step 1.3	Centre punch the centre of the mark you made in the previous step to keep it accurate. Once centre punched drill the holes to the sizes specified FIG 1.2. Repeat to other side of vehicle
Step 1.4	Apply tectyl on the drilled holes. Repeat to other side of vehicle



Fitment Instruction: FULLBACK SPORTS BAR

Visual / Graphic Illustration



Step #	Description/Method
Step 2.1	The 11.3mm holes are going to need rivnuts. A tool to use is included in the kit.
Step 2.2	Assemble as shown in FIG 2.2 to look like FIG 2.3
Step 2.3	While holding the tool to keep all straight, tighten the nut clockwise while keeping the bolt/set from turning. This will pull the rivnut causing it to rivet in place. Once the nut cant tighten any more you can remove the set from the rivnut.
Step 2.4	You can now mount the base plate using the M8 hardware from page 2.



Fitment Instruction: FULLBACK SPORTS BAR

Visual / Graphic Illustration

Step #

Description/Method



Step 3

Preassemble sports bar before mounting to base plates. FIG 2.

Step 4

Place sports bar onto base plates and tighten using the kit shown in FIG 4.

Make sure bar is centralised and tighten all fasteners to specified torque. M8= 22Nm , M10= 42Nm , M6= 9Nm.



WARRANTY

1. If any product manufactured by ARTAV is found to be defective during a period of twelve (12) months after the date of purchase , ARTAV shall repair (at ARTAV's discretion) the defective product or part.
2. Any defect in a product distributed by ARTAV , but not manufactured by ARTAV, shall be dealt with in accordance with , and to the extent of , the warranty offered by the manufacturer of the product.
3. ARTAV does not warrant that the products manufactured by it comply with the laws of the place where the products are being purchased or used. It is the responsibility of the purchaser to ascertain whether products being purchased - or affiliation of these products to any other object - comply with the local laws.
4. Except to the extent described in this warranty , ARTAV shall not be liable for any other claim , including those claims arising from faulty design , the use of the product on any indirect special or consequential damage or injury to any person , company or any other entity.
5. Modification or alteration to any product manufactured by ARTAV to enable fitment in conjunction with other vehicle accessories or modifications (eg lift kits) will void warranty claims.