

ACCESSORY FITMENT INSTRUCTION

Product

Haval H2 Facelift Nudge Bar Stainless
(Only fits Facelift Model)

Part no.

710017T (Tracking No. : 372)



60
Minutes

Models : 2020

Page 1 of 7

Date : 11 Feb 2020

DIAGRAM



Kit content:

	Qty	Description		Qty	Description
A	1	Nudge bar	I	12	M8 HEX NUT
B	12	M8 X 25 SET SCREWS	J	2	Top Bracket (PS & DS)
C	2	M8 X 75 SET SCREWS	K	1	Main Bracket (DS)
D	2	M8 X 50 SET SCREWS	L	1	Main Bracket (PS)
E	28	M8 X 22 X 1.6 FLAT WASHERS	M	2	Sub bracket (PS & DS)
F	4	M8 X 30 X 2 FLAT WASHERS			
G	16	M8 SPRING WASHERS			
H	2	M8 T-NUT			

Additional equipment/Material needed for fitment :

Qty		Qty	
	Ratchet and Socket Set		Hacksaw
	Spanner Set		
	Masking Tape		

Precautions during fitment:

Wear the appropriate PPE clothing during installation.

Do not cause any damage to the vehicle.

Directions for use:

Apply masking tape onto the vehicle to prevent scratches before installation.

Follow all instructions carefully.

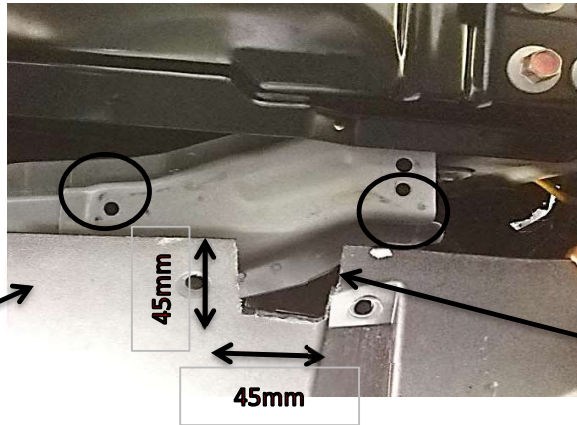
Fitment Instruction: Haval H2 Facelift Nudge Bar

Visual / Graphic Illustration

Step #

Description/Method

Figure 1



Note:
Driver side
shown

Trim Here

Underlying
Plastic of
bumper

1

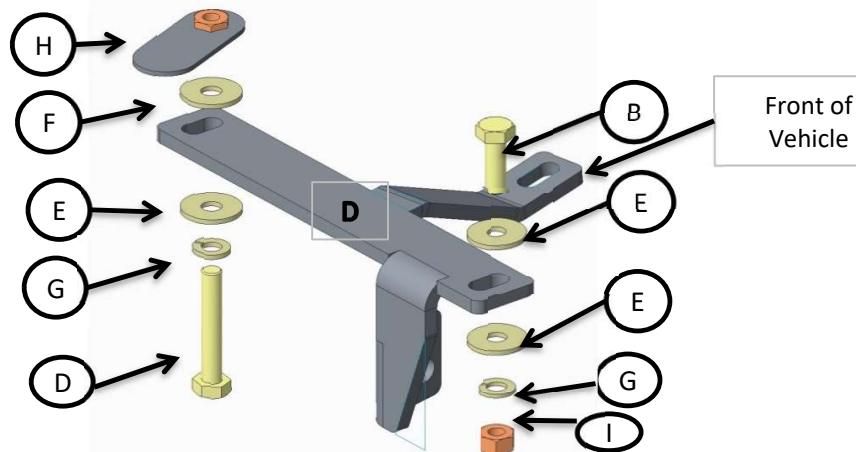
Remove the Plastic Sump Cover from underneath the Front Bumper of the vehicle.

2

Use the Hacksaw to Trim the underlying plastic of bumper as shown in Figure 1.

3

Fit the Top Bracket Marked "D" to the Driver's Side of the Vehicle as shown in Figure 1. Do the same to the other side.



Front of
Vehicle

Fitment Instruction: Haval H2 Facelift Nudge Bar

Visual / Graphic Illustration



Figure 2

Note:
Driver side
shown

Front of
Vehicle



Step #

Description/Method

4

Fit the Driver's Side main Bracket
Marked "D" as shown in Figure 2

Fitment Instruction: Haval H2 Facelift Nudge Bar

Visual / Graphic Illustration

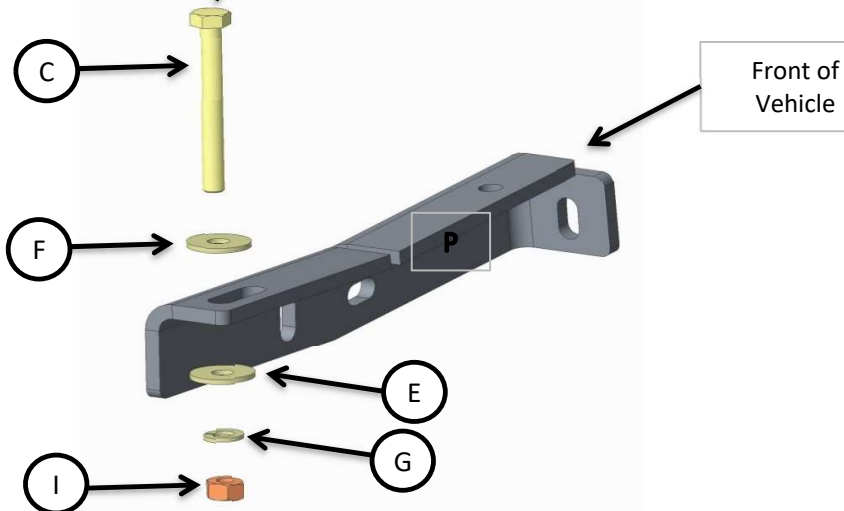
Step #

Description/Method



Figure 3

Note:
Passenger
side shown



5

Fit the Passenger's Side main Bracket
Marked "P" as shown in Figure 3.

Fitment Instruction: Haval H2 Facelift Nudge Bar

Visual / Graphic Illustration

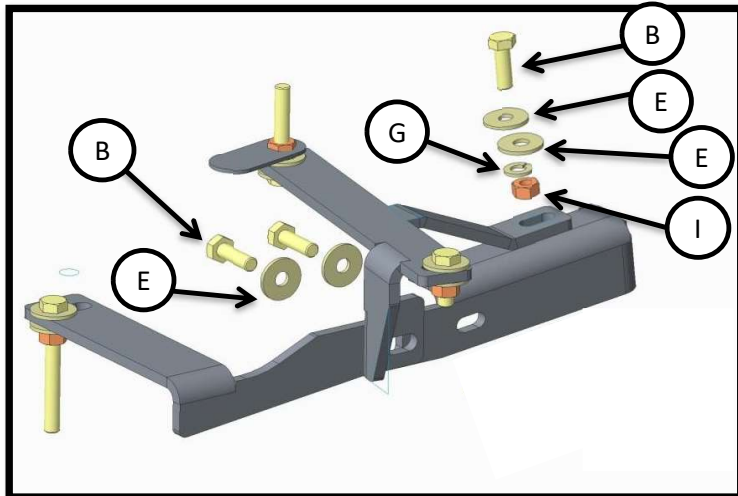
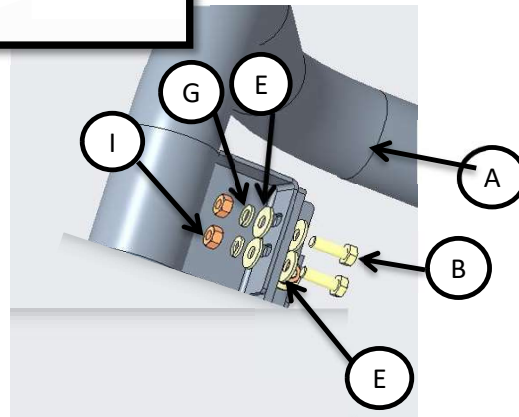


Figure 4.1

Note:
Driver side
shown

Figure 4.2



Step #

Description/Method

6

With the Top Bracket and Main Bracket Mounted to the vehicle, bolt the two brackets together including the Sub Bracket "D" as shown in Figure 4.1

7

Do the same to the other side.

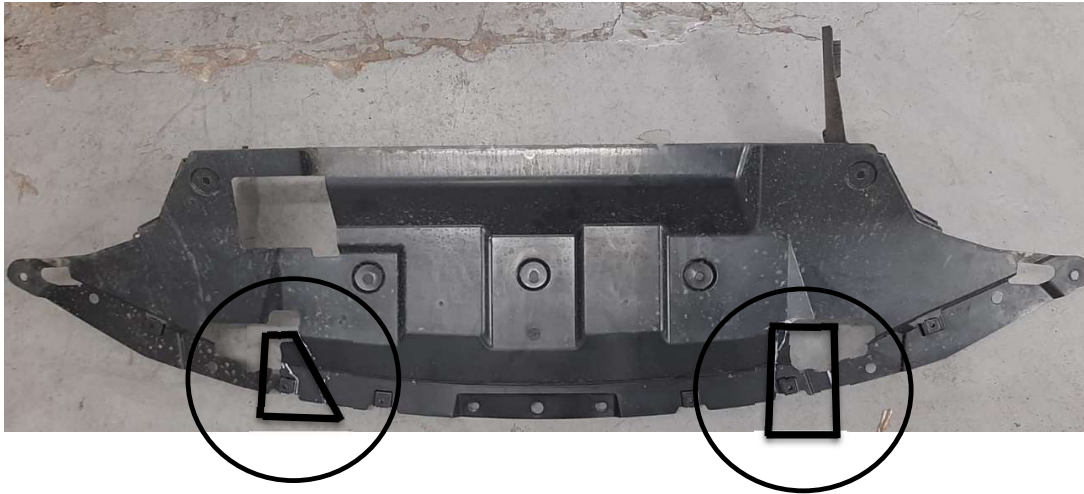
8

Fit the nudge as shown in Figure 4.2

Fitment Instruction:
Haval H2 Facelift Nudge Bar

Visual / Graphic Illustration

Figure 5



Step #

Description/Method

9

Before Replacing the Plastic Sump Cover removed in instruction 1, Use the Hacksaw to trim of the Marked areas shown in Figure 5.

COMPLETE

Final step

Page 7 of 7

Make sure bar is centralised and tighten all fasteners to specified torque. M8= 22Nm , M10= 42Nm , M6= 9Nm.

