

ACCESSORY FITMENT INSTRUCTION

Product

Haval H2 Facelift Side Bars Stainless (Only fits
Facelift Model)

Part no.

710018T (Tracking No. 373)



60
Minutes

Models : 2020

Page 1 of 5

Date : 03-Feb-2020

DIAGRAM



Kit content:

	Qty	Description		Qty	Description
A	2	Side Steps (PS & DS)	H	4	M10 Flat Washer (ø30 x 2.5mm THK)
B	2	Front Mount Brackets (PS & DS)	I	4	M10 Spring Washer
C	2	Rear Mount Brackets (PS & DS)	J	4	M10 Hex Nut
D	16	M8 Bolt (1.25 x 25mm Long)	K	4	T-BOLT
E	24	M8 FW (ø22 x 1.2mm THK)			
F	16	M8 Spring Washer MS			
G	8	M8 Hex Nut			

Additional equipment/Material needed for fitment :

Qty		Qty	
	Ratchet and Socket Set		
	Spanner Set		
	Masking Tape		

Precautions during fitment:

Wear the appropriate PPE clothing during installation.

Do not cause any damage to the vehicle.

Directions for use:

Apply masking tape onto the vehicle to prevent scratches before installation.

Follow all instructions casrefully.

Fitment Instruction: Haval H2 Facelift Side Bars Stainless (Only fits Facelift Model)

Visual / Graphic Illustration

Step #

Description/Method

Figure 1



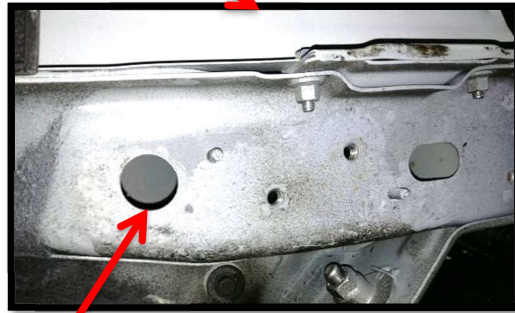
1

Locate the Mounting Position as shown in Figure 1.



2

Insert The T-Bolts provided in the Kit into the Holes as shown in Figure 1. (Note Passenger side Shown)



REAR MOUNT POSITION

3

Do the Same to the other side of the vehicle.

FRONT MOUNT POSITION

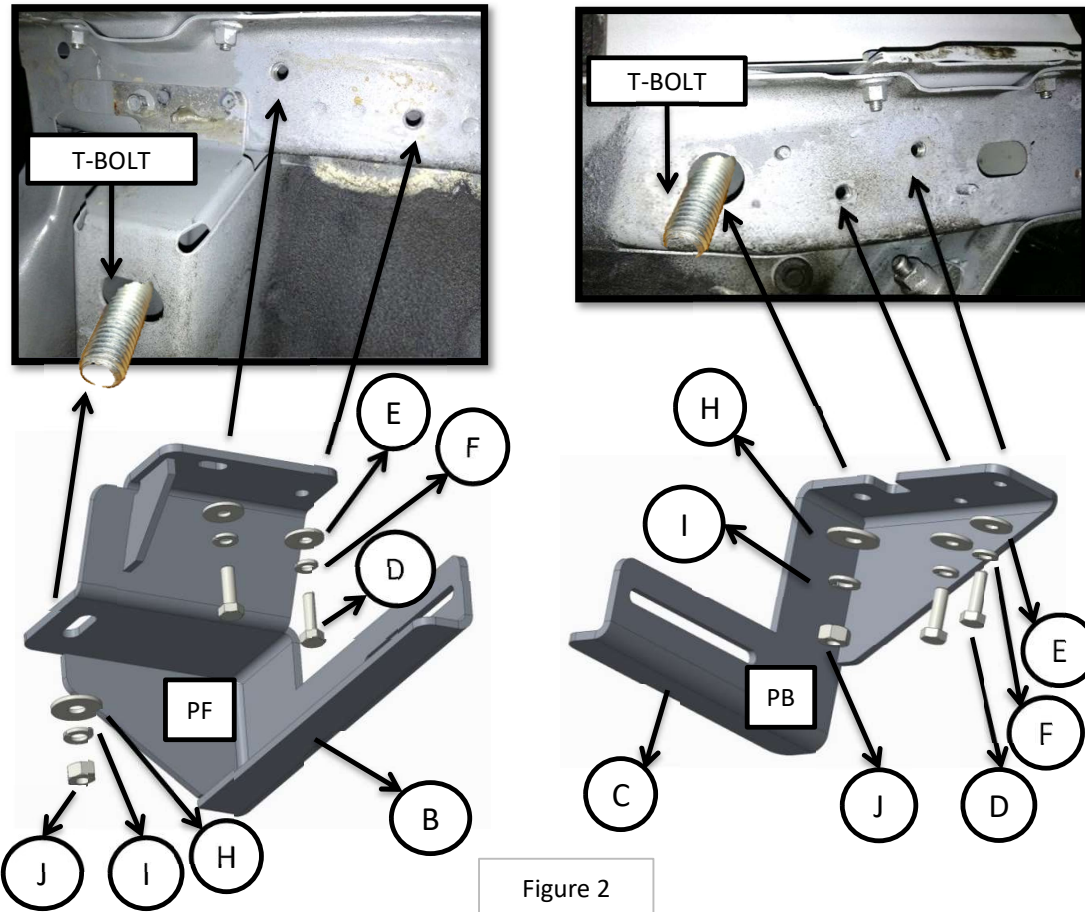


T-BOLT

Fitment Instruction:

Haval H2 Facelift Side Bars Stainless (Only fits Facelift Model)

Visual / Graphic Illustration



Step #

Description/Method

4

Fit the Front mount brackets (Marked PF) to the Front Passenger Side of the vehicle as shown in Figure 2.

5

Fit the Rear mount brackets (Marked PB) to the Rear Passenger Side of the vehicle as shown in Figure 2.

6

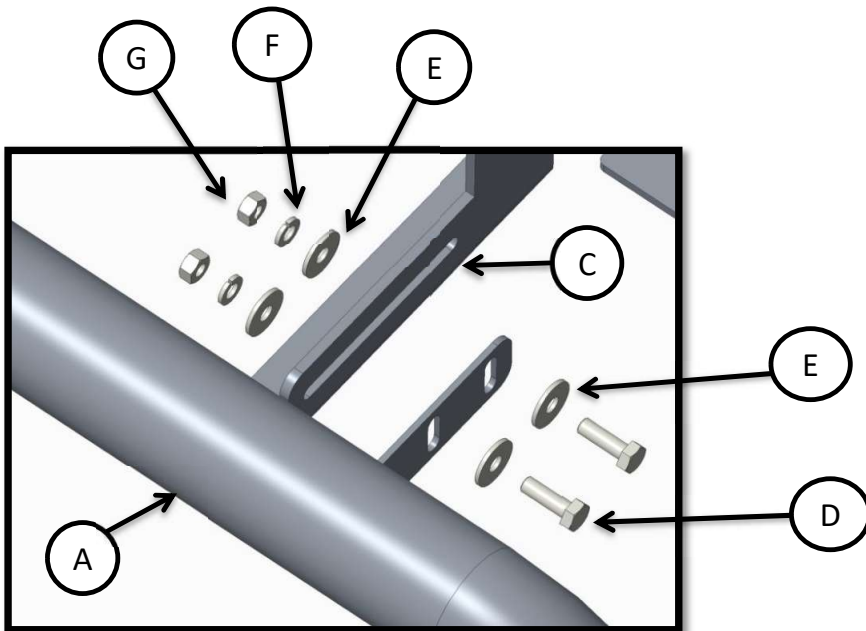
Do the same to the other side of the vehicle.

Fitment Instruction:

Haval H2 Facelift Side Bars Stainless (Only fits Facelift Model)

Visual / Graphic Illustration

Figure 3



Step #

Description/Method

7

Fit the Side Tube as shown in Figure 3. (Note: Passenger Side Shown)

8

Do the same to the driver's Side.

Final step

Page 5 of 5

Make sure bar is centralised and tighten all fasteners to specified torque. M8= 22Nm , M10= 42Nm , M6= 9Nm.

