

# ACCESSORY FITMENT INSTRUCTION

**Product**

2019 Steed 5E & MPI Nudge

**Part no.**

72051T



60  
Minutes

Models : Steed 5E & MPI Nudge

Page 1 of 7

Date :16/09/2019

DIAGRAM

Kit content:



	Qty	Description		Qty	Description
A	4	M10 Hex Nuts	J	2	M8 Hex Nuts
B	6	M10 Spring Washers	K	1	Nudge Bar
C	6	M10x30x2 Flat Washers	L	2	Top Mounting Brackets (PS and DS)
D	2	M10x40x3 Flat Washers	M	1	PS Bottom Bracket
E	2	M10x30 Sets	N	1	DS Bottom Bracket
F	2	M10x100 Bolts	O	1	Support Plate
G	2	M8x20 Sets	P	1	U Bolt
H	2	M8 Spring Washers			
I	4	M8x20x1.6 Flat Washers			

Additional equipment/Material needed for fitment :

Qty	Ratchet and Socket Set	Qty	
	Spanner Set		
	Masking Tape		

Precautions during fitment:

Do not cause any damage to the vehicle, apply masking tape to the front bumper to prevent damages.

Ensure that you are wearing the correct PPE clothing during Installation.

Directions for use:

Read all instructions carefully before installation.

**Fitment Instruction:**

2019 Steed 5E &amp; MPI Nudge

Visual / Graphic Illustration



Remove the top  
grill and the  
bumper

Step #

Description/Method

1

Remove the front bumper ( Ensure all bolts and clips are removed).

2

Remove the plastic shown in FIG 2 and discard (if the plastic cover is not on the model you fitting the nudge bar, please ignore this step).

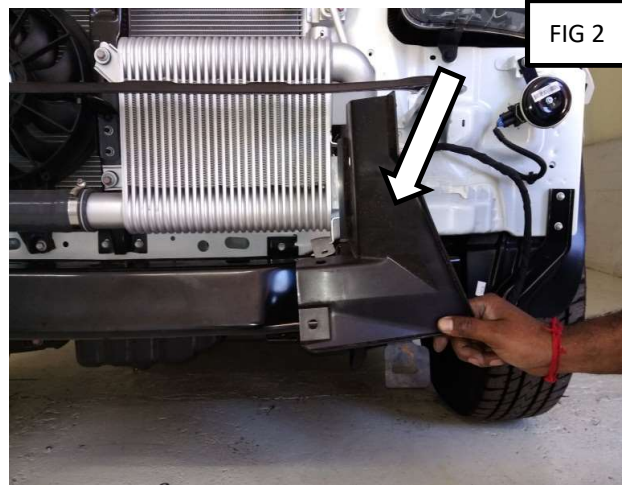


FIG 2

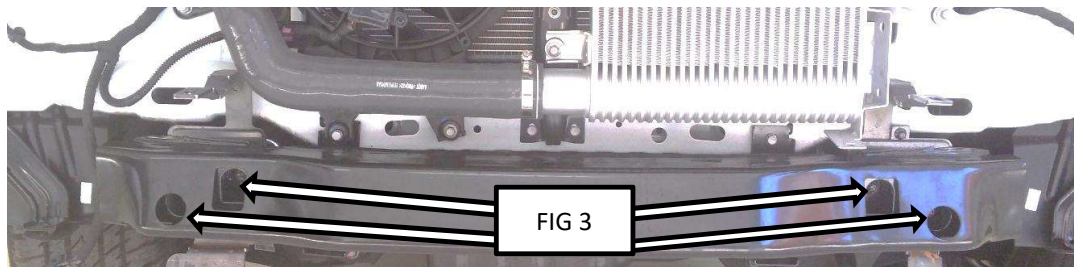
**Fitment Instruction:**

2019 Steed 5E &amp; MPI Nudge

Visual / Graphic Illustration

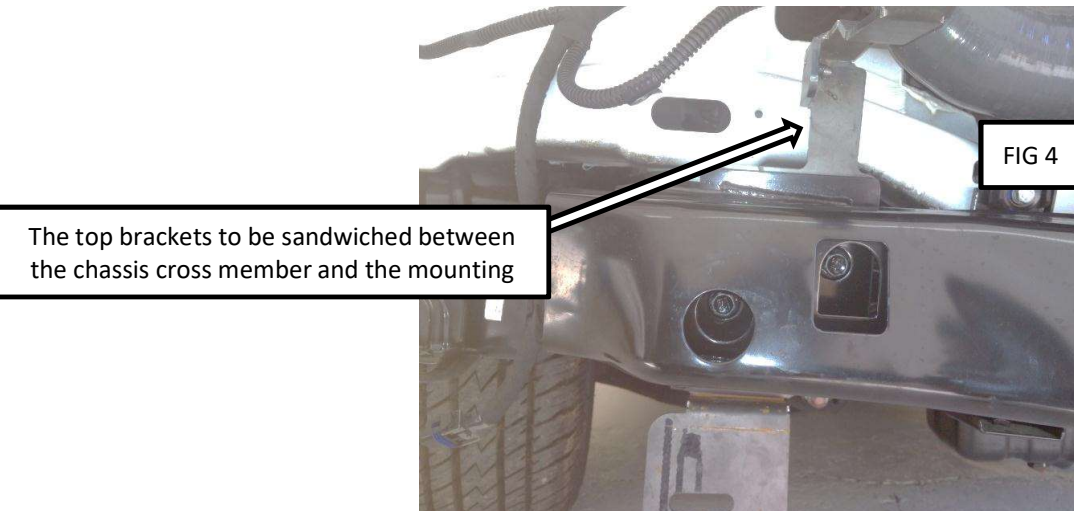
Step #

Description/Method



3

Remove the chassis cross member. FIG 3.



4

With the cross member removed, place the top brackets as shown in the picture. Fit the cross member back on and tighten to specified torque. FIG 4. Use the same kit as removed from step 3.

FIG 4

The top brackets to be sandwiched between the chassis cross member and the mounting

Bracket with a P cut out to go on the passengers side.  
Bracket with a D cut out to go on the drivers side.

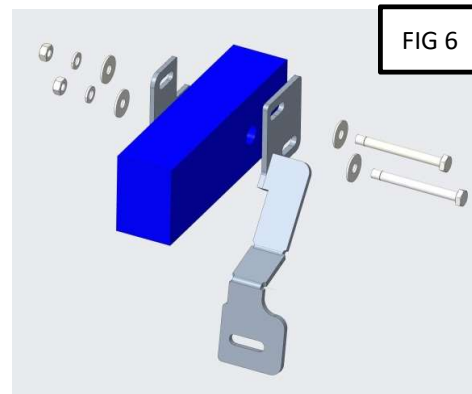
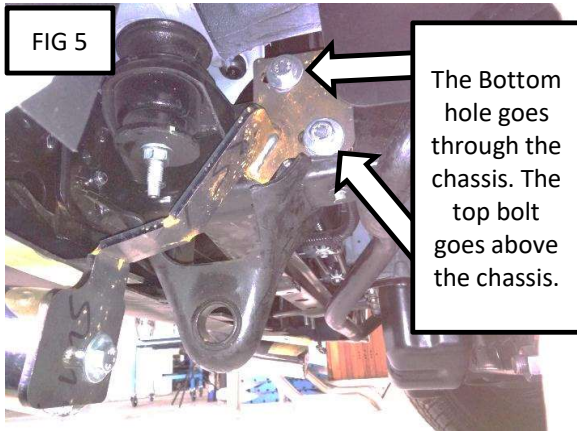
## Fitment Instruction:

2019 Steed 5E & MPI Nudge

Visual / Graphic Illustration

Step #

Description/Method



5

On the PS, under the front bumper locate the hole in the chassis FIG 5. Fit the bracket as shown in FIG 6. Do not fully tighten.

6

On the DS of the vehicle under the bumper locate where to mount the U Bolt FIG 7. Fit the U-bolt and bracket as shown in FIG 8

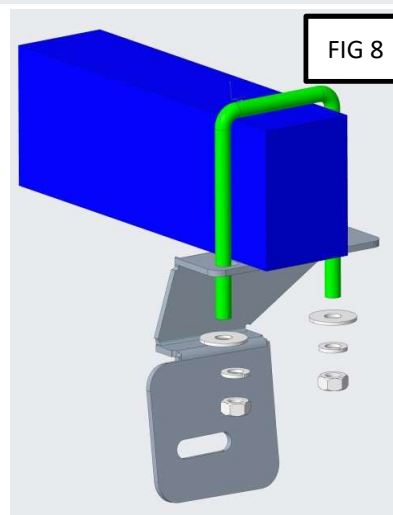
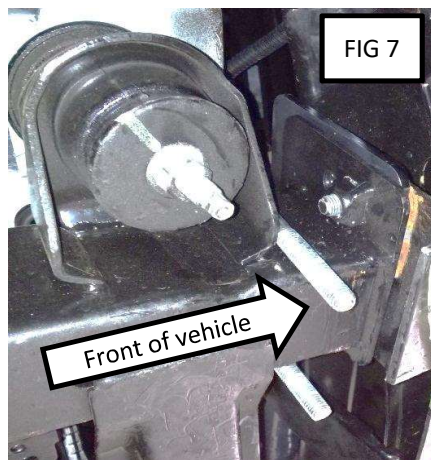


FIG 8

**Fitment Instruction:**

2019 Steed 5E &amp; MPI Nudge

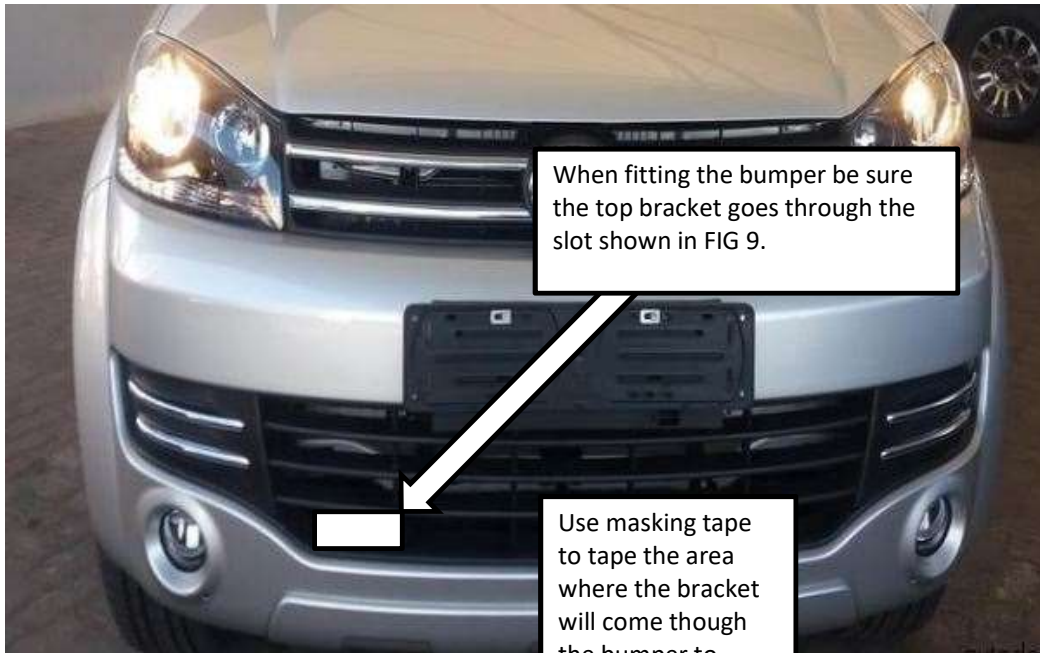
Visual / Graphic Illustration

Step #

Description/Method

7

Replace bumper.



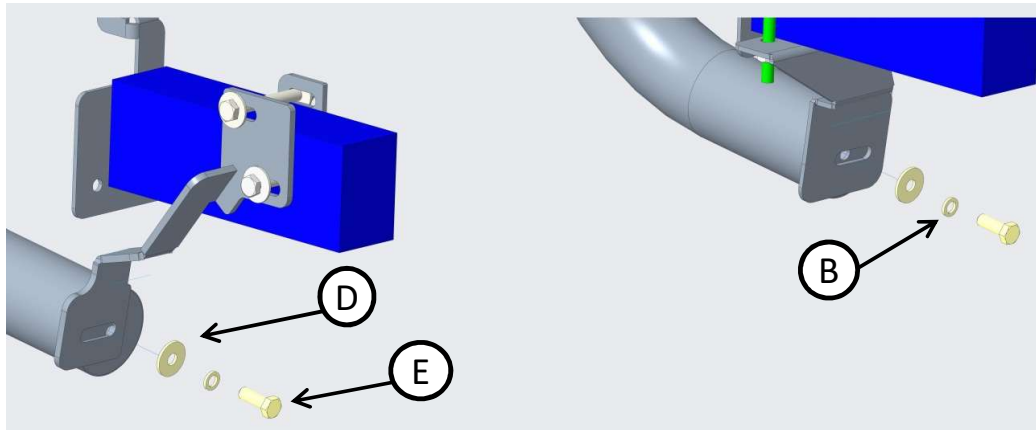
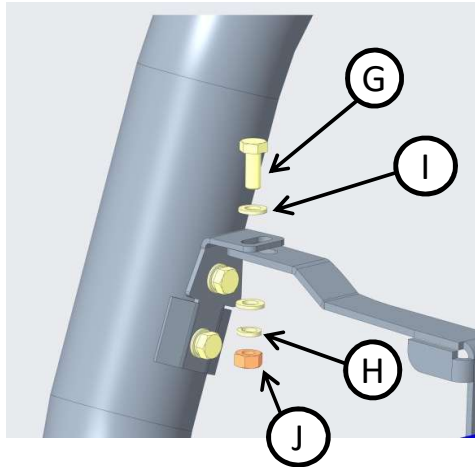
When fitting the bumper be sure the top bracket goes through the slot shown in FIG 9.

Use masking tape to tape the area where the bracket will come through the bumper to avoid scratches.

**Fitment Instruction:**

2019 Steed 5E &amp; MPI Nudge

Visual / Graphic Illustration



Step #

Description/Method

8

Mount the nudge bar to the mounted brackets.  
FIG 9.

9

**Complete**

## Final step

Page 7 of 7

Make sure bar is centralised and tighten all fasteners to specified torque. M8= 22Nm , M10= 42Nm , M6= 9Nm.

