

# ACCESSORY FITMENT

**Product**

Isuzu Nudge bar

**Part no.**

TSBK-1600062 (Tracking No. 401)



60  
Minutes

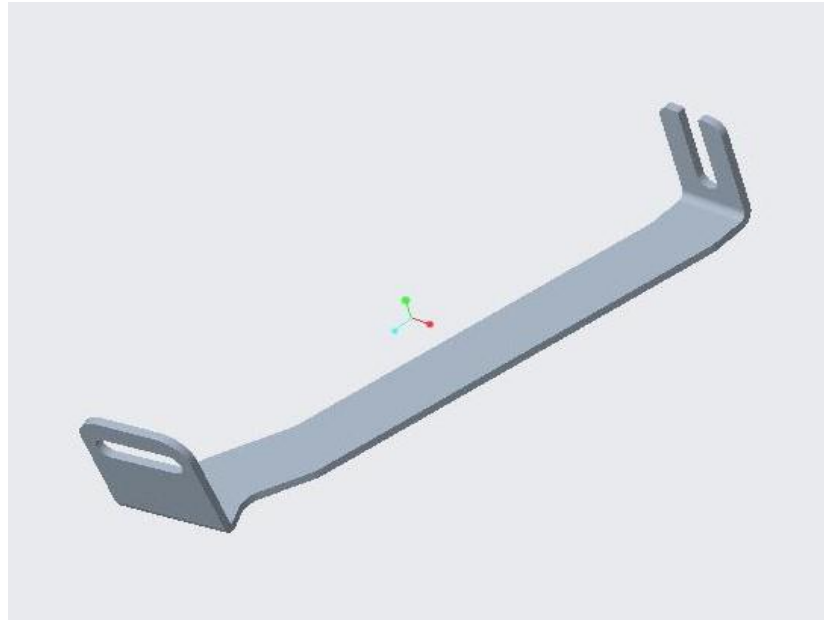
Models : ALL

Page 1 of 6

Date : 02-09-2020

DIAGRAM

Kit content:



|     | Qty |                            |     | Qty | Description |
|-----|-----|----------------------------|-----|-----|-------------|
| A   | 2   | M8 X 25 SETS               | N   |     |             |
| B   | 2   | M8 SPRING WASHERS          | O   |     |             |
| C   | 2   | M8 X 22 X 1.6 FLAT WASHERS | P   |     |             |
| D   |     |                            | Q   |     |             |
| E   |     |                            | R   |     |             |
| F   |     |                            | S   |     |             |
| G   |     |                            | T   |     |             |
| H   |     |                            | U   |     |             |
| I   |     |                            | V   |     |             |
| J   |     |                            |     |     |             |
| K   |     |                            |     |     |             |
| L   |     |                            |     |     |             |
| M   |     |                            |     |     |             |
| Qty | 1   | Ratchet Set                | Qty |     |             |
|     | 1   | Spanner Set                |     |     |             |
|     | 1   | Torque Wrench              |     |     |             |

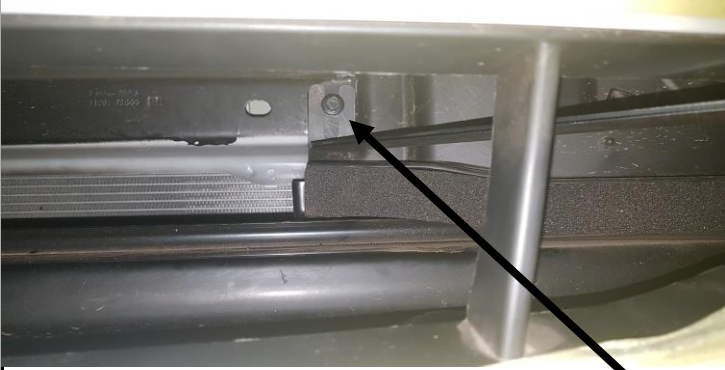
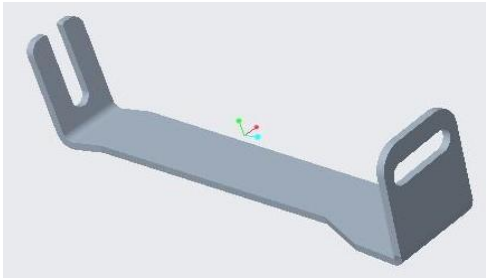
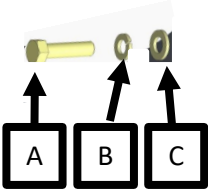
**Precautions during fitment:**

Please take precaution when installing Nudge Bar to prevent any damages to the vehicle and the Nudge Bar

**Directions for use:**

Please follow the steps below, numbered 1 to 8

## Fitment Instruction: Ford Ranger Top Bracket

| Visual / Graphic Illustration   | Step No. | Description/Method  |
|---|----------|---|
|  <div style="text-align: right; border: 1px solid black; padding: 2px; display: inline-block;">Figure 1</div>   | 1        | <p>Insert the top support bracket as shown in Figure 1 from the outer most vent in bumper grill. There is bolt securing the plastic air deflector onto radiator cradle. Unscrew this bolt halfway and insert the top support bracket and then screw the bolt back in to secure the bracket.</p> |
|  <div style="text-align: center;">  <div style="border: 1px solid black; padding: 2px; display: inline-block;">Figure 1.1</div> </div> | 2        | <p>Using the bolts provided in the kit as shown in Figure 1.1, mount the other end of the bracket to the nudge bar then continue with the fitment of the main bar.</p>  |