

ACCESSORY FITMENT

Product

Hilux/Fortuner 2011 nudge TOP SUPPORT BRACKETS

Part no.

TSBK-80022, TSBK-80030(Tracking No. 392)



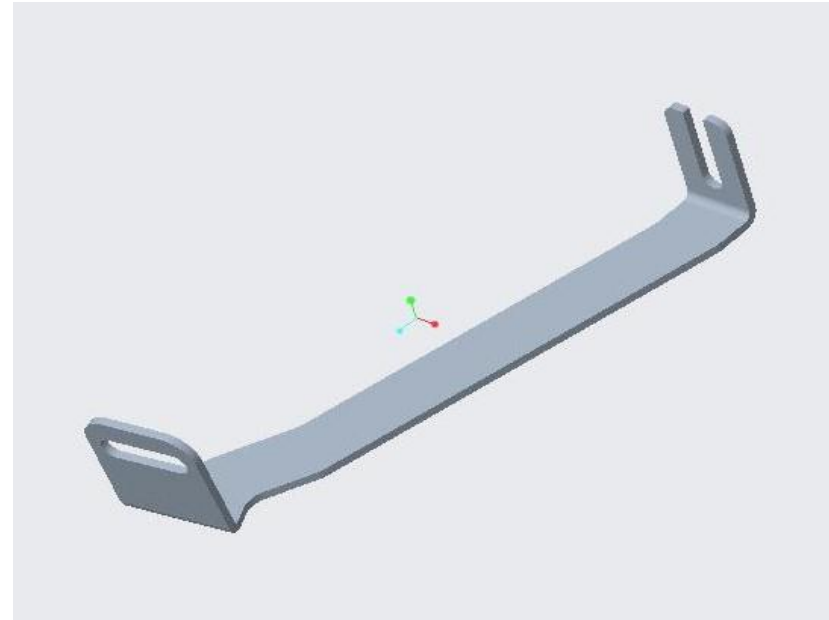
60
Minutes

Models : Double Cab

Page 1 of 6

Date : 10-07-2020

DIAGRAM



Kit content:

	Qty			Qty	Description
A		M8 X 20 SETS	N		
B		M8 SPRING WASHERS	O		
C		M8 X 22 X 1.6 FLAT WASHERS	P		
D		M6 x 20 sets	Q		
E		M6 x 20 x 1.6 flat washers	R		
F		M6 spring washers	S		
G			T		
H			U		
I			V		
J					
K					
L					
M					
Qty	1	Ratchet Set	Qty		
	1	Spanner Set			
	1	Torque Wrench			

Precautions during fitment:

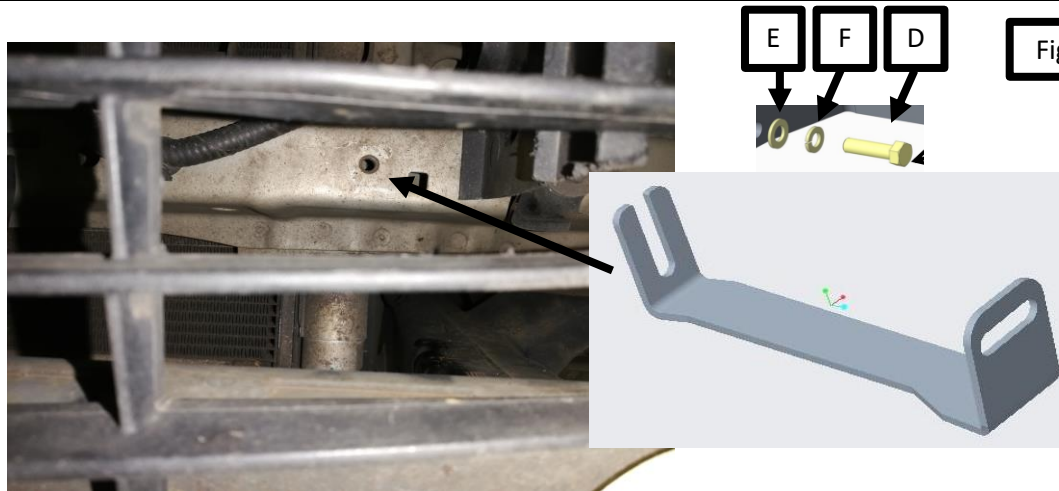
Please take precaution when installing Nudge Bar to prevent any damages to the vehicle and the Nudge Bar

Directions for use:

Please follow the steps below, numbered 1 to 8

Fitment Instruction: Toyota Hilux Top Bracket

Visual / Graphic Illustration



Step No.

Description/Method

1

On either side of the bumper grill there is a M6 thread nut located on the radiator chasis. You will need to mount the top support bracket to this hole and then secure the other end to the nudge bar.

2

Insert the Fasteners as shown in Figure 1. Do not tighten fully.