

ACCESSORY FITMENT

Product

Securi-Lid 218 Sports Bar

Part no.

SECURI218S-H/R, SECURI218B-H/R, SECURI218S-I/A, SECURI218B-I/A



60
Minutes

Models : All

Page 1 of 7

Date :20/01/2020

DIAGRAM



Kit content:

	Qty	Description		Qty	Description
A	2	M8 x 90 sets	P	2	Side plates
B	6	M8 Spring washers	Q	4	base rubbers
C	6	M8 x 25 x 2 flat washers	R	4	base brackets
D	4	M8 Rexroth T-nut	S		
E	4	M8 x 16 hex sets	T		
F	12	M8 x 16 x 1.6 flat washers	U		
G	12	M8 spring washers	V		
H	12	M8 x 20 sets	W		
I	8	M8 Cap covers			
J	8	M6 x 16 Button Heads			
K	8	M6 x 16 x 1.6 flat washers			
L	8	M6 nylock nuts			
M	8	M6 cap covers			
N	2	Joining rubbers			
O	6	grommets			

Tools Required:

Qty			Qty	
		Ratchet and spanner set		Screw Drivers
1		Allen Key Set	1	Spanner Set
1		Side cutters		

Directions for use:

Please read fitting instructions carefully before starting. Be carefull not to scratch the vehicle in any way. Two people are required for this fitment.

Fitment Instruction: Securi lid sports bar

Visual / Graphic Illustration

Step #

Description/Method


FIG 1



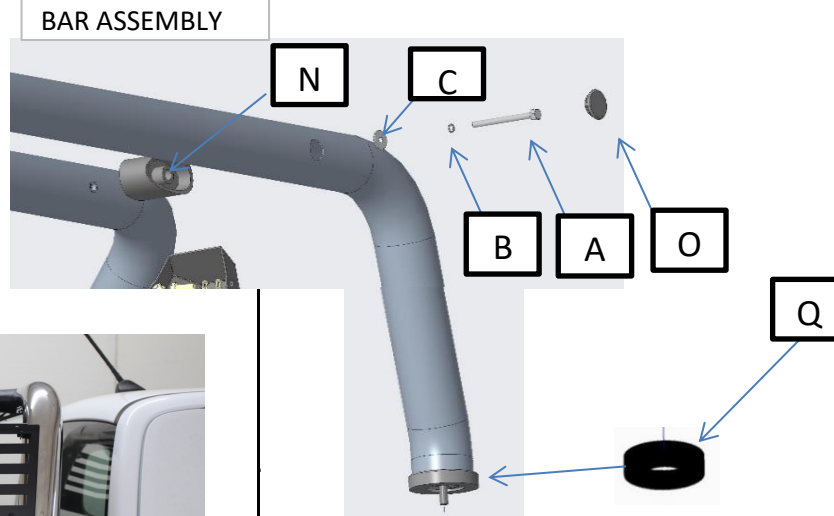
PLATE ASSEMBLY 1



PLATE ASSEMBLY 2

Using the M6 fasteners : M6 BUTTON HEAD(J) + M6x16x1.6 FLAT WASHER(K) + M6 NYLOCK NUT(L), loosely mount the plate onto the loosley mounted tabs located on t  bar.

Ensure that the bar is fitted to the vehicle then line up the plate and tighten all the tabs. Place M6 Cap Covers over the visible M6 nylock nuts at the back of the



BAR ASSEMBLY

N

C

B

A

O

Q

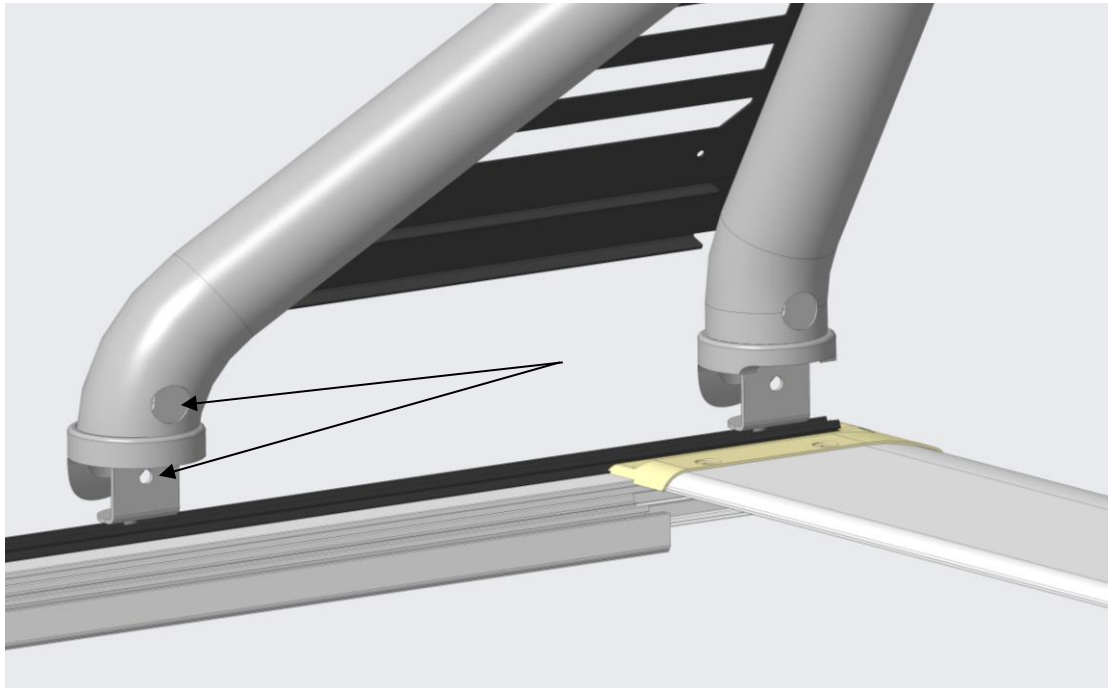
Fitment Instruction: Securi lid sports bar

Visual / Graphic Illustration	Step #	Description/Method
	2	Remove the rubber strip shown in Fig 2 and then drop the T-Nut into the slide.
	3	Space your first base bracket 50mm away from the front of the Securi Lid as shown in Fig 4 then bolt the brackets down secure using the fasteners supplied. Torque the brackets ensuring that the space between them is 430mm as shown in Fig 5. Repeat step 2 and 3 on the drivers side.

Fitment Instruction: Securi lid sports bar

Visual / Graphic Illustration

FIG 6



Step #

Description/Method

4

Once the base brackets are secure, place the bar onto the securi lid over the brackets as shown in Fig 6.

5

Ensure that the holes on the bar and the hole on the bracket lines up, if it doesn't repeat step 3 or make a slight adjustment.

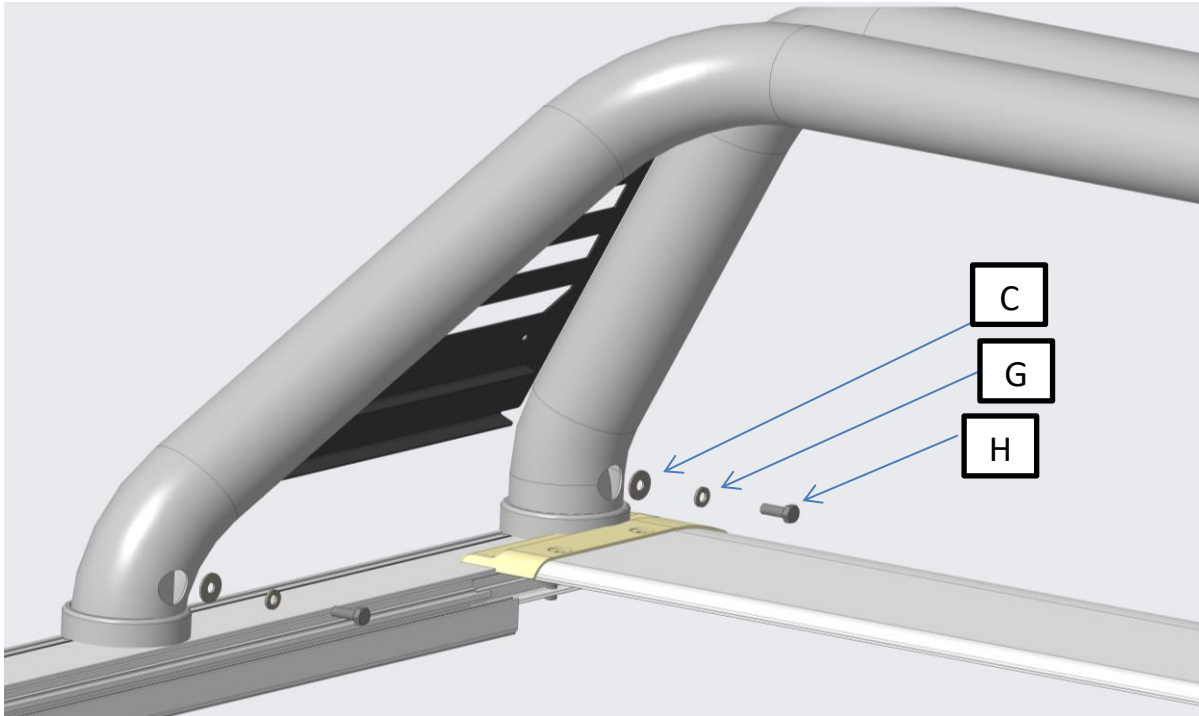
Fitment Instruction: Securi lid sports bar

Visual / Graphic Illustration

Step #

Description/Method

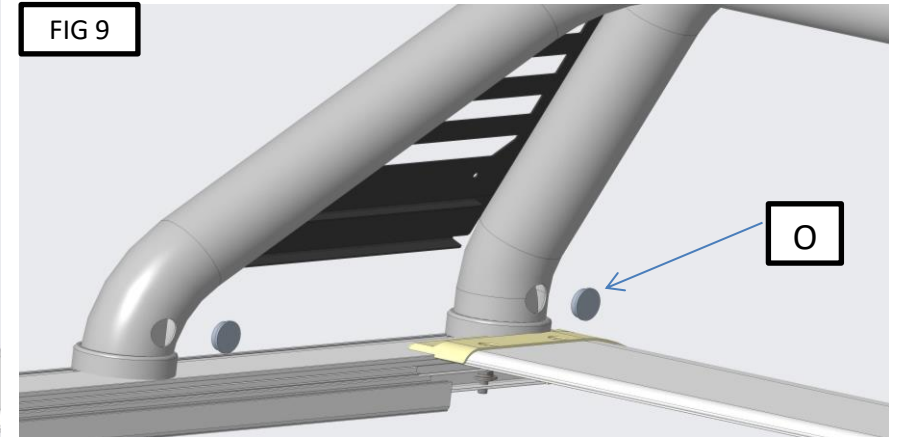
FIG 8



6

Once the holes line up secure the bar using the fasteners provided, see Fig 8, once the bar has been torqued you may insert the grommet to complete the fitment as shown in Fig 9.

FIG 9



O

Make sure bar is centralised and tighten all fasteners to specified torque. M8= 22Nm , M10= 42Nm , M6= 9Nm.

