

# ACCESSORY FITMENT

**Product**

Securi-Lid 218 Sports Bar

**Part no.**

150043-SEC218,BS150043-SEC218,160008-SEC218,BS160008-SEC218,80054-SEC218,BS80054-SEC218,250022-SEC218,BS250022-SEC218



60  
Minutes

Models : All

Page 1 of 7

Date :20/01/2021

DIAGRAM



Kit content:

	Qty	Description		Qty	Description
A	2	M8 x 90 sets			
B	2	M8 Spring washers			
C	2	M8 x 25 x 2 flat washers			
D	4	M8 Rexroth T-nut			
E	4	M8 x 16 hex sets			
F	8	M8 x 16 x 1.6 flat washers			
G	8	M8 spring washers			
H	4	M8 x 20 sets			
I	2	Joining rubbers			
J	6	grommets			
K	2	Side Tubes			
L	4	base rubbers			
M	4	base brackets			
N	1	Front bar			
O	1	Back bar			

Tools Required:

Qty			Qty	
		Ratchet and spanner set		Screw Drivers
1		Allen Key Set	1	Spanner Set
1		Side cutters		

Directions for use:

Please read fitting instructions carefully before starting. Be carefull not to scratch the vehicle in any way. Two people are required for this fitment.

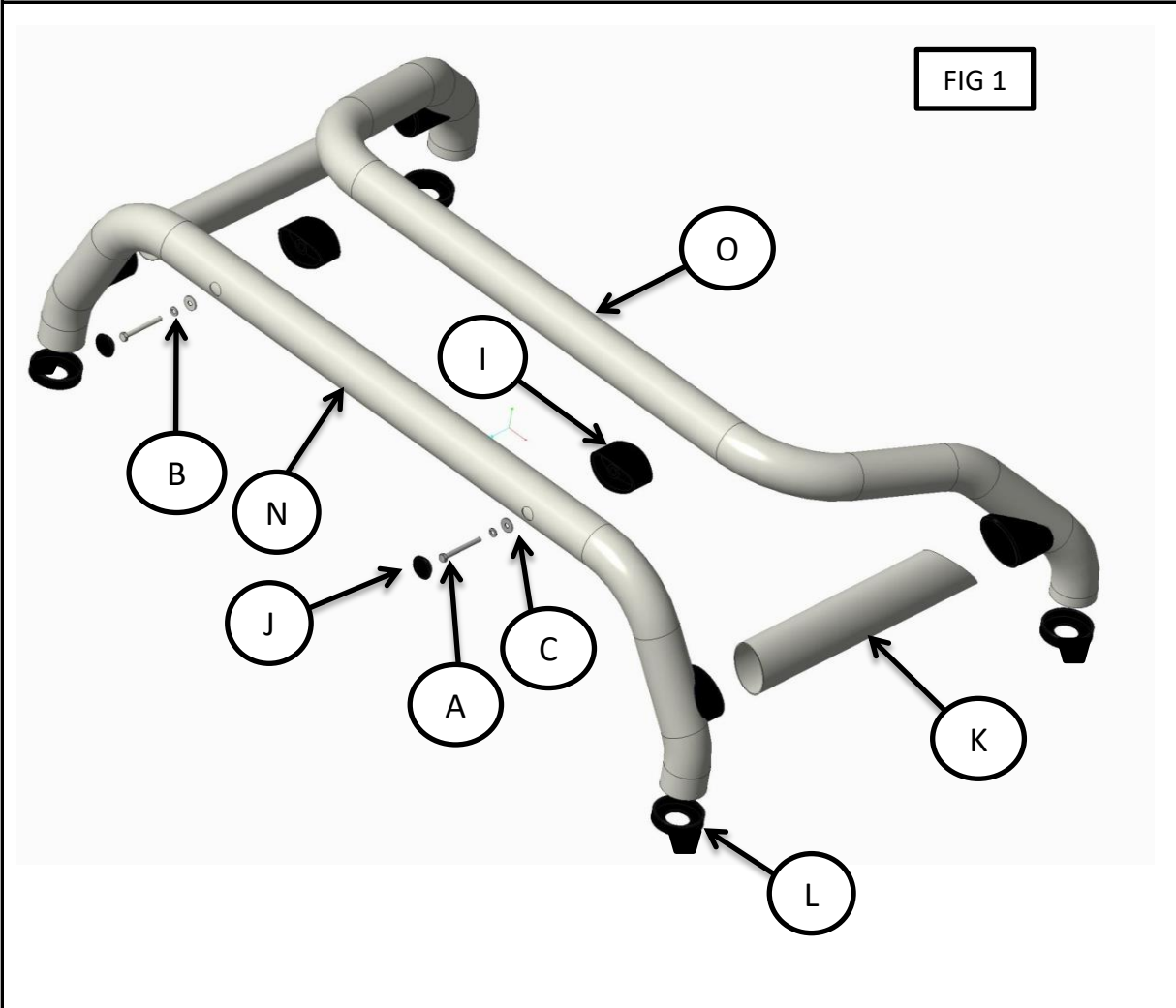
Please note that images are just for illustration

## Fitment Instruction: Securi lid sports bar

Visual / Graphic Illustration

Step #

Description/Method



Step #	Description/Method
1	Assemble the front and rear bars together as shown in FIG 1.

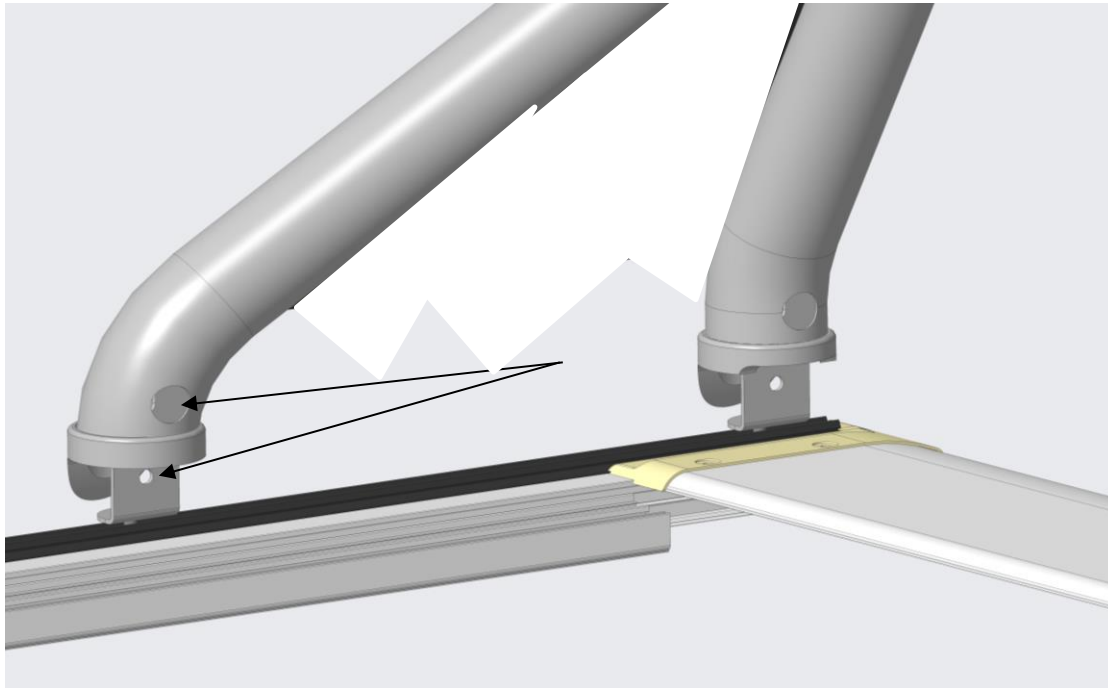
## Fitment Instruction: Securi lid sports bar

Visual / Graphic Illustration	Step #	Description/Method
	2	Remove the rubber strip shown in Fig 2 and then drop the T-Nut into the slide.
	3	Space your first base bracket 50mm away from the front of the Securi Lid as shown in Fig 4 then bolt the brackets down secure using the fasteners supplied. Torque the brackets ensuring that the space between them is 430mm as shown in Fig 5. Repeat step 2 and 3 on the drivers side.

## Fitment Instruction: Securi lid sports bar

Visual / Graphic Illustration

FIG 6



Step #

Description/Method

4

Once the base brackets are secure, place the bar onto the securi lid over the brackets as shown in Fig 6.

5

Ensure that the holes on the bar and the hole on the bracket lines up, if it doesn't repeat step 3 or make a slight adjustment.

## Fitment Instruction: Securi lid sports bar

Visual / Graphic Illustration

Step #

Description/Method

FIG 8

6

Once the holes line up secure the bar using the fasteners provided, see Fig 8, once the bar has been torqued you may insert the grommet to complete the fitment as shown in Fig 9.

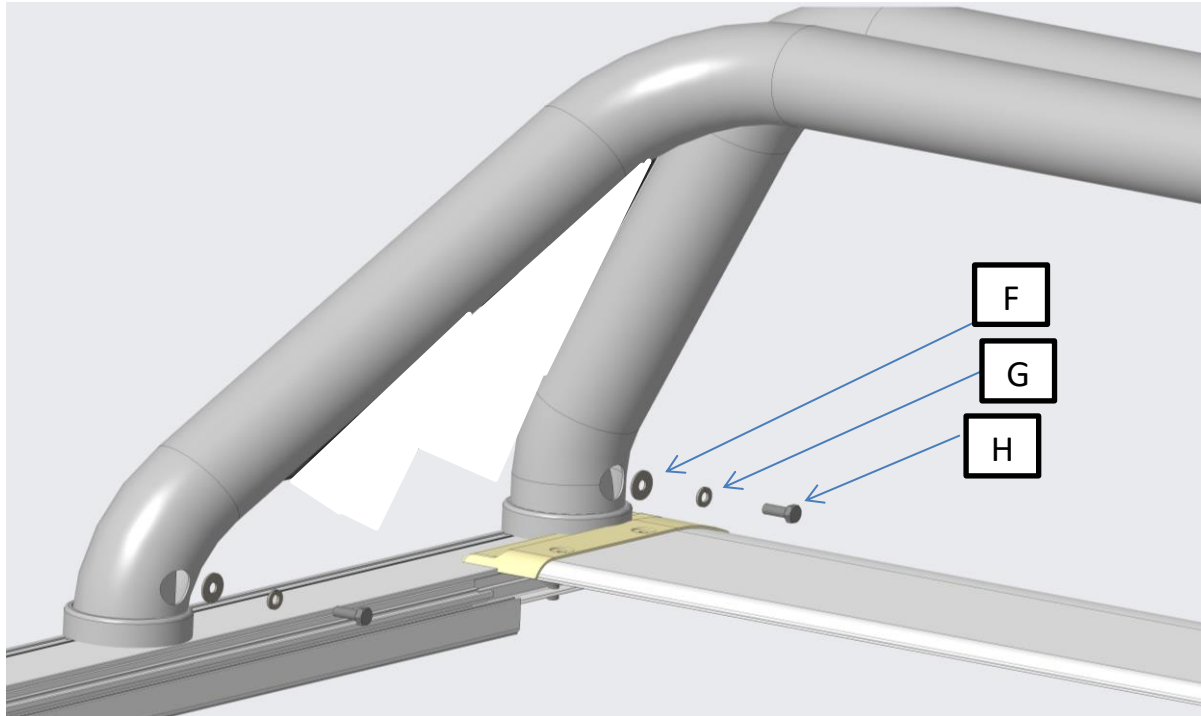
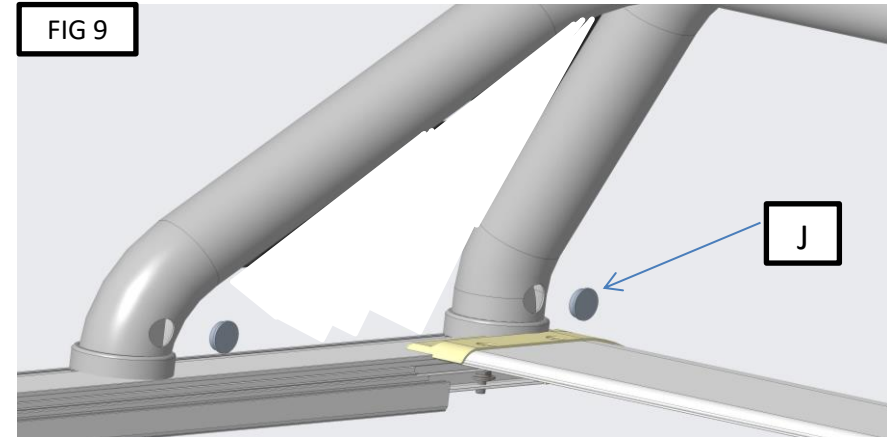


FIG 9



## Final step

Page 7 of 7

Make sure bar is centralised and tighten all fasteners to specified torque. M8= 22Nm , M10= 42Nm , M6= 9Nm.

