

# ACCESSORY FITMENT INSTRUCTION

**Product**

Nissan Navara D23 Facelift Side Steps DC

**Part no.**

170049T & BS-170049



60  
Minutes

Models : Dcab

Page 1 of 5

Date : 06 July 2021

DIAGRAM



**Kit content:**

	Qty	Description		Qty	Description
A	12	M8x25 Sets ( Black )	H	2	Side steps
B	24	M8x20x1.6 Flat washers ( Black )			
C	24	M8 Spring washers ( Black )			
D	12	M8 Hex nuts			
E	2	Front brackets (PS and DS)			
F	2	Middle brackets (PS and DS)			
G	2	Rear brackets (PS and DS)			

**Additional equipment/Material needed for fitment :**

Qty	Description	Qty	Description
	Ratchet set		
	Spanner Set		
	Torque Wrench		

**Precautions during fitment:**

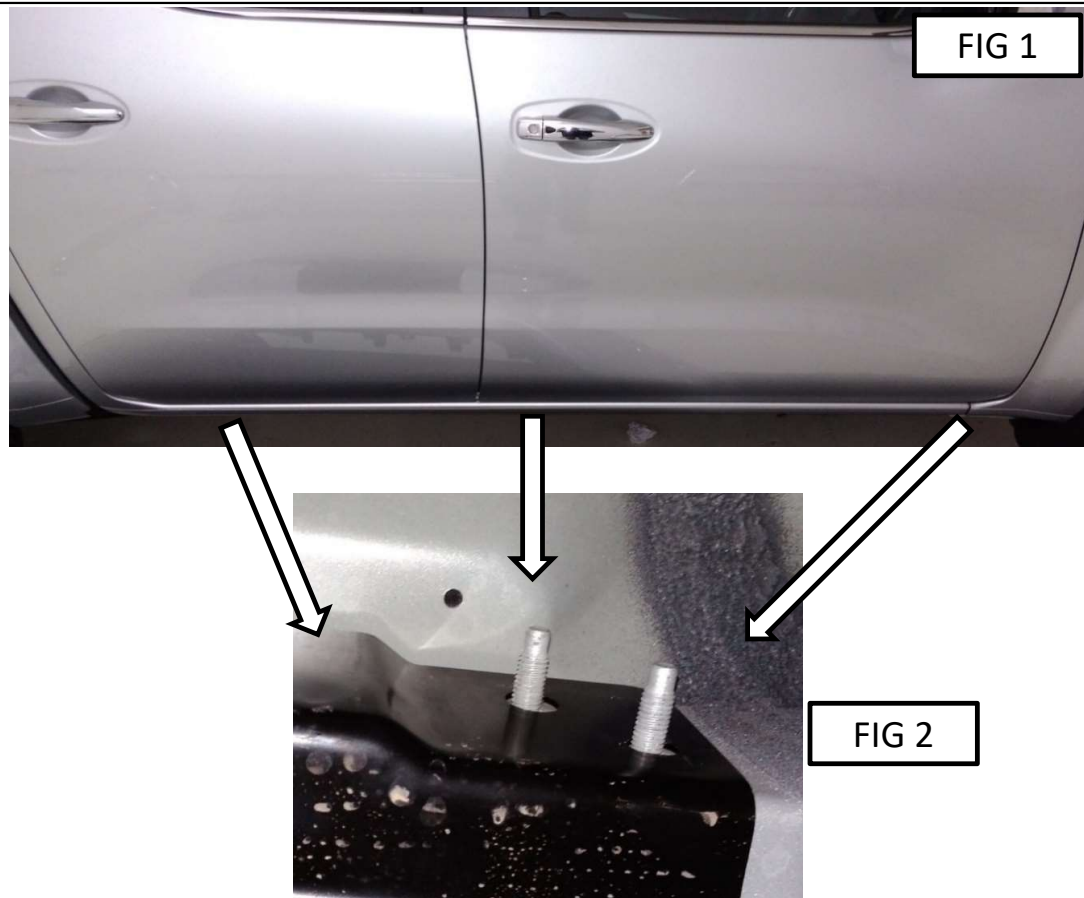
Wear the appropriate PPE clothing during installation.  
Do not cause any damage to the vehicle.

**Directions for use:**

Follow all instructions carefully.

**Fitment Instruction:**  
Nissan Navara double cab side step

Visual / Graphic Illustration



Step #

Description/Method

The following steps shown are for the Drivers side fitment.

1

Under the vehicle you will see threaded studs protruding out the body(FIG 2). There will be 2 in the front, middle and back as indicated in (FIG 1).

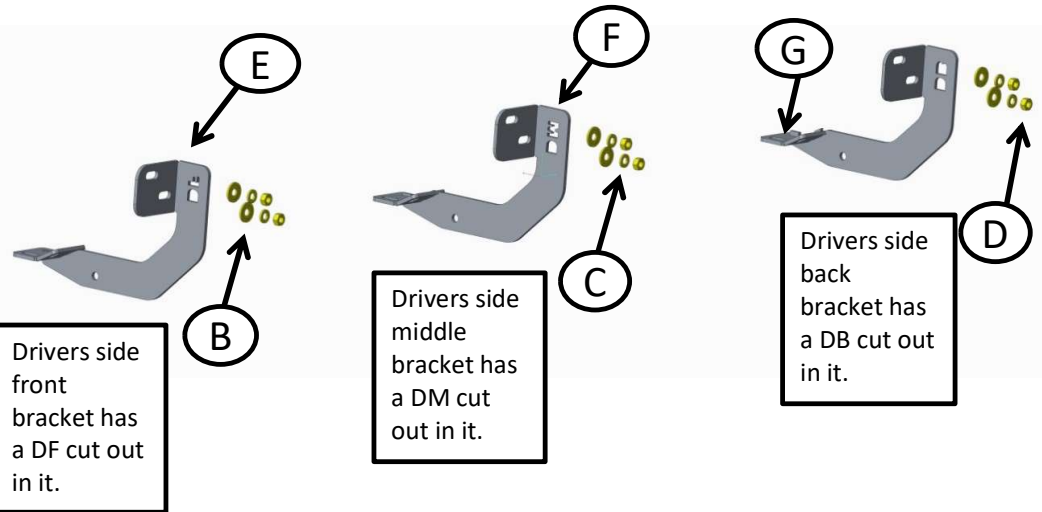
## Fitment Instruction: Nissan Navara double cab side step

Visual / Graphic Illustration

Step #

Description/Method

FIG 3



2

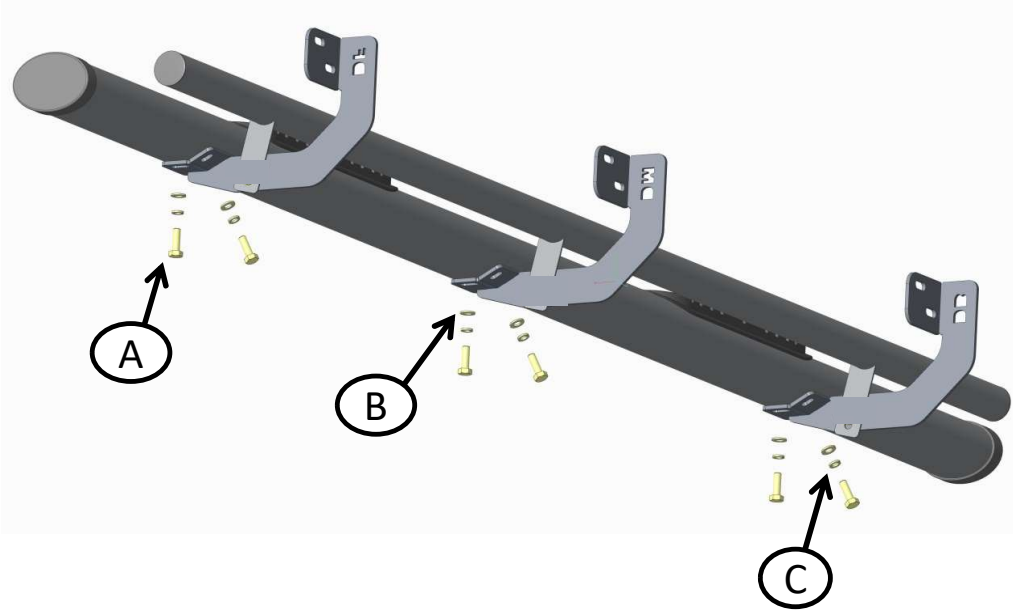
Using the brackets provided and the kit shown in FIG 3 assemble the brackets to the vehicle. Do not fully tighten.

Repeat above steps on the passengers side as well.

**Fitment Instruction:**  
Nissan Navara double cab side step

Visual / Graphic Illustration

FIG 4



Step #

Description/Method

4

Fit the 3 inch side step to the brackets. Shown in FIG 4. A tag on the bottom of the tube indicates the front.

Repeat above steps on the passengers side as well.

## Final step

Page 5 of 5

Make sure bar is centralised and tighten all fasteners to specified torque. M8= 22Nm , M10= 42Nm , M6= 9Nm.

