

ACCESSORY FITMENT INSTRUCTION

Product

Peugeot Landtrek 2021 Side Steps Stainless/Black

Part no.



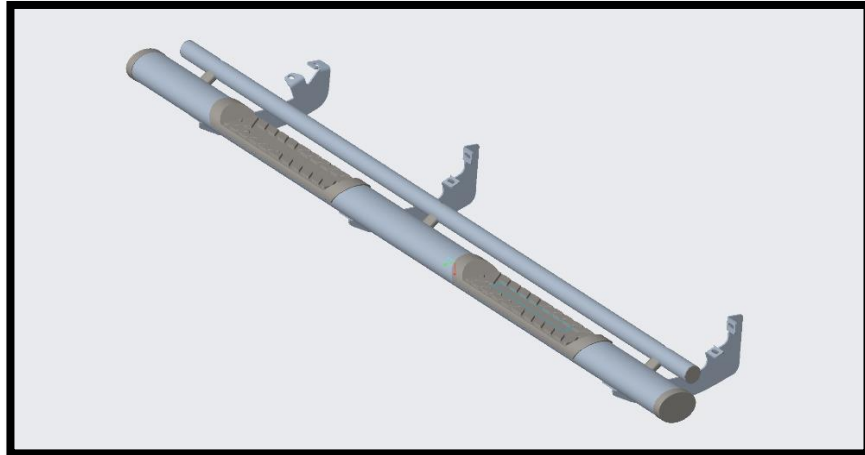
60
Minutes

Models : 2021

Page 1 of 5

Date : 05-10-2021

DIAGRAM



Kit content:

	Qty	Description		Qty	Description
A	1	Mild Steel Bracket Marked (PB)	I	2	Oval Side Step
B	1	Mild Steel Bracket Marked (DB)	J		
C	2	Mild Steel Bracket Marked (PF-PM)	K		
D	2	Mild Steel Bracket Marked (DF-DM)	L		
E	18	Set Screw - M8x25	M		
F	18	M8 Hex Nuts	N		
G	36	M8 Flat Washer	O		
H	24	M8 Spring Washers	P		

Additional equipment/Material needed for fitment :

Qty	1	13 Socket with Ratchet		
	1	13 Spanner		
	1	Torque Wrench		
		Settings: M8 = 22Nm		

Precautions during fitment:

1. Remove standard running board if present before beginning the fitment.
2. Avoid direct contact with sharp objects when removing the packaging

Directions for use:

1. Have the side steps placed on a rubber mat to avoid any damage during fitment.
2. Ensure steps are secure and not hindering the body of the vehicle before signing of the fitment.

Fitment Instruction:

Part name

Visual / Graphic Illustration

Step #

Description/Method

Fig 1

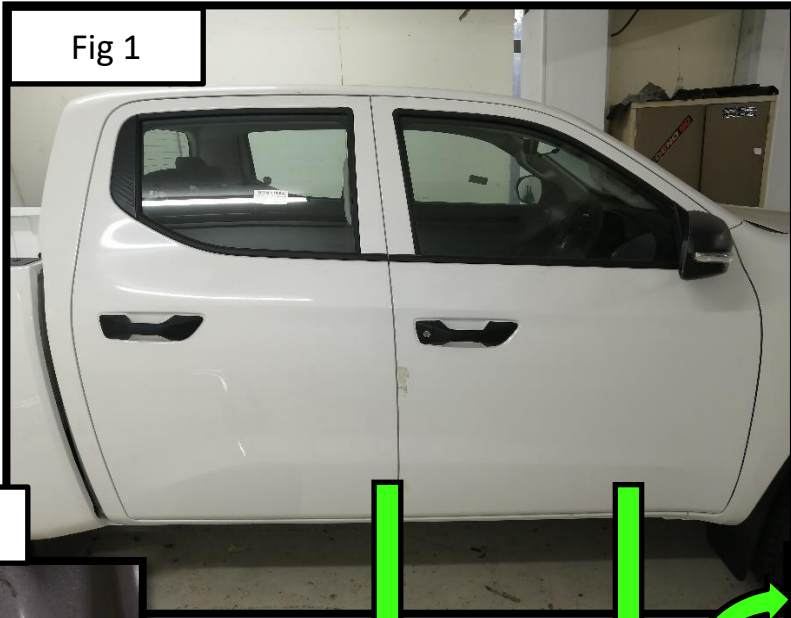


Fig 2

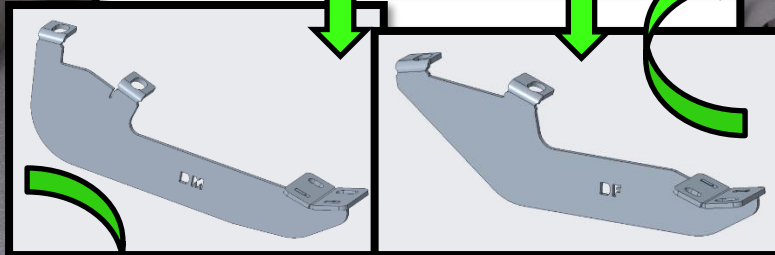


Fig 3

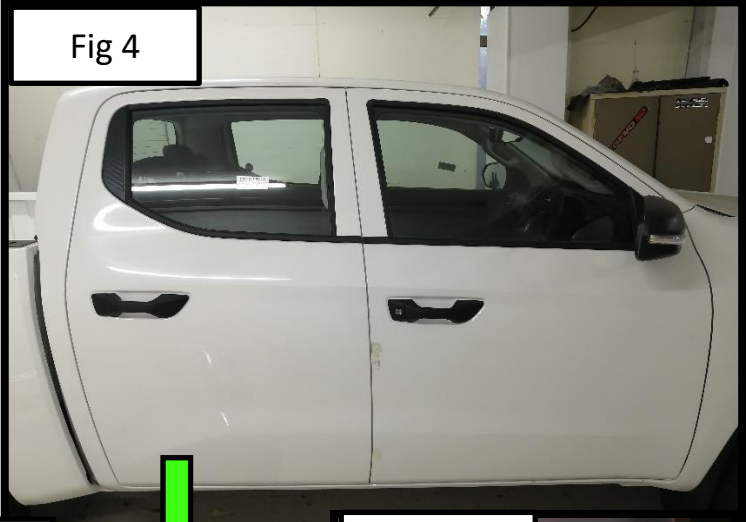
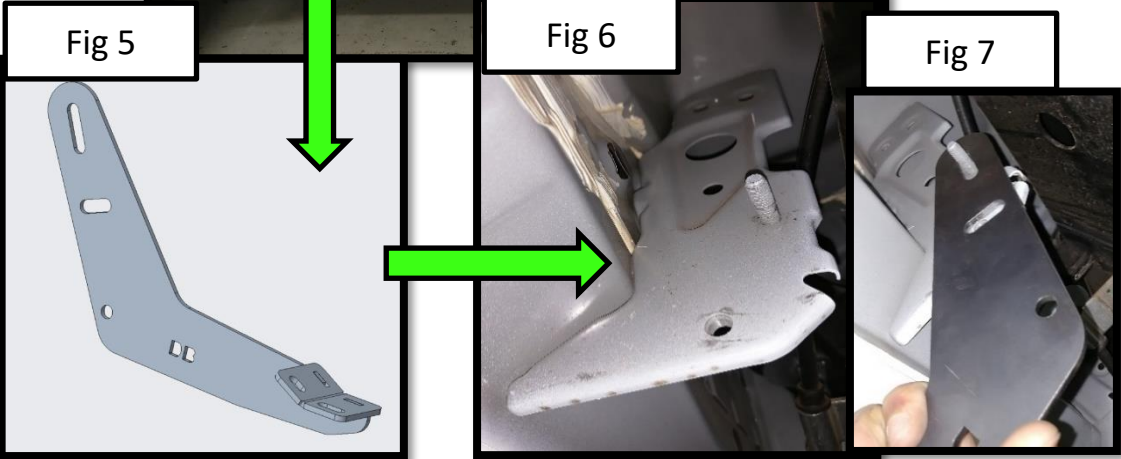


1

Using the brackets from the kit marked DM and DF, attach it to the drivers side body on the points provided and tighten to the specified torque (M8 = 22Nm). Refer to Fig 1, 2 and 3.

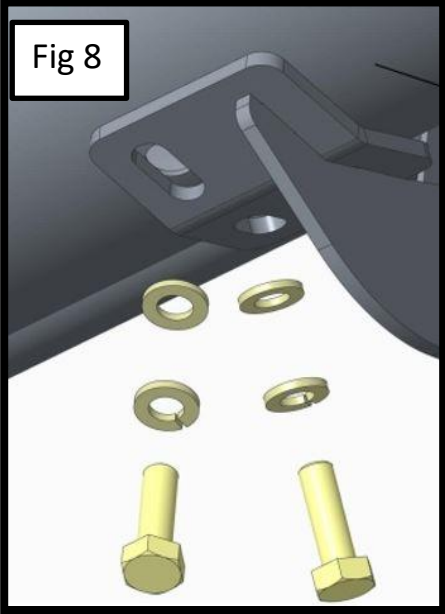
Fitment Instruction:

Part name

Visual / Graphic Illustration	Step #	Description/Method
 <p>Fig 4</p>	2	Using the bracket from the kit marked DB, attach it to the body on the point provided and tighten to the specified torque (M8 = 22Nm). Refer to Fig 4, 5, 6 and 7.
 <p>Fig 5</p> <p>Fig 6</p> <p>Fig 7</p>	3	Repeat process on passenger side.

Fitment Instruction:

Part name

Visual / Graphic Illustration	Step #	Description/Method								
<div style="text-align: center;">  </div> <table border="1" style="margin-left: auto; margin-right: auto; border-collapse: collapse; text-align: center;"> <tr> <td colspan="2">Bolts and washers needed per bracket</td> </tr> <tr> <td style="width: 10px;">2</td> <td>M8x25 Bolts (Black)</td> </tr> <tr> <td>2</td> <td>M8x22x1.6 Flat Washers (Black)</td> </tr> <tr> <td>2</td> <td>M8 Spring Washers (Black)</td> </tr> </table>	Bolts and washers needed per bracket		2	M8x25 Bolts (Black)	2	M8x22x1.6 Flat Washers (Black)	2	M8 Spring Washers (Black)	4	<p>Attach the side step to the brackets mounted to the vehicle using the kit. (Fig 8)</p>
Bolts and washers needed per bracket										
2	M8x25 Bolts (Black)									
2	M8x22x1.6 Flat Washers (Black)									
2	M8 Spring Washers (Black)									

Final step

Page 5 of 5

Make sure bar is centralised and tighten all fasteners to specified torque. M8= 22Nm , M10= 42Nm , M6= 9Nm.

