

# ACCESSORY FITMENT INSTRUCTION

**Product**

Hyundai Creta Nudge bar

**Part no.**

11077T



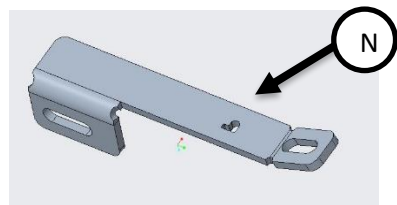
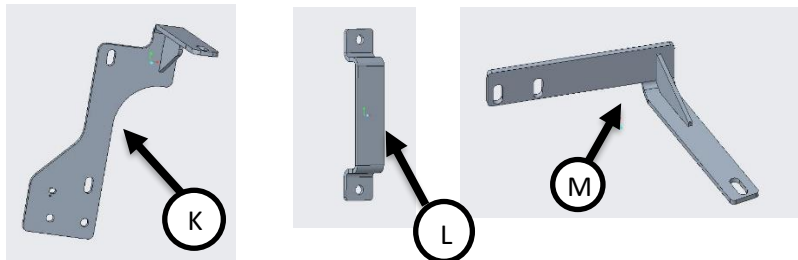
60  
Minutes

Models : Creta

Page 1 of 4

Date : 16-03-2022

## DIAGRAM



## Kit content:

	Qty	Description		Qty	Description
A	8	M8 X 25 SETS EG.	J	4	M8 Caps
B	2	M8 X 25 Button Heads SS	K	2	Top Brackets LH & RH
C	4	M8 X 25 SET SS	L	2	Clamp Brackets
D	12	M8 Flat washers- EG	M	2	Bottom Bracket 1 . LH & RH
E	10	M8 Flat washers- SS	N	2	Bottom Bracket 2 . LH & RH
F	8	M8 Spring washers	O	1	Nudge Bar
G	6	M8 Spring washers- SS	S		
H	4	M8 Nuts	P		
I	4	M8 Nuts - SS	Q		

## Additional equipment/Material needed for fitment :

Qty	SOCKET SET	Qty
	HACK SAW OR JIG SAW	

## Precautions during fitment:

Place bumper on a rubber flooring if possible when removed.

## Fitment Instruction: Hyundai Creta Nudge bar

Visual / Graphic Illustration

Step #

Description/Method

FIG 1

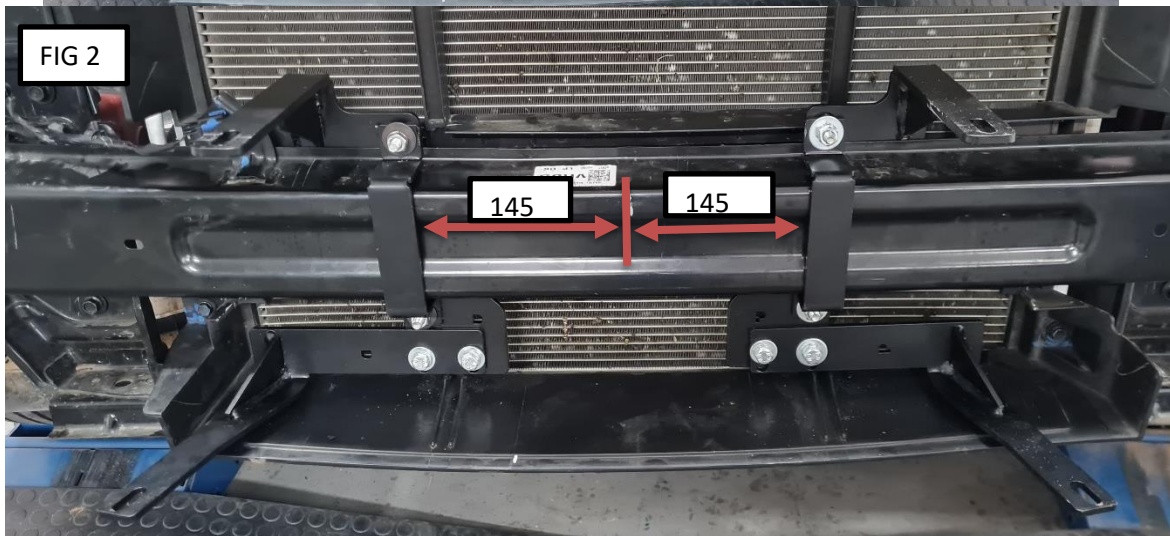
**1**

Remove bumper from Vehicle.

**2**

You need to remove and trim the plastic wind deflector as shown in Fig 1. Note: you need to remove the front impact beam to access the plastic then replace it before continuing.

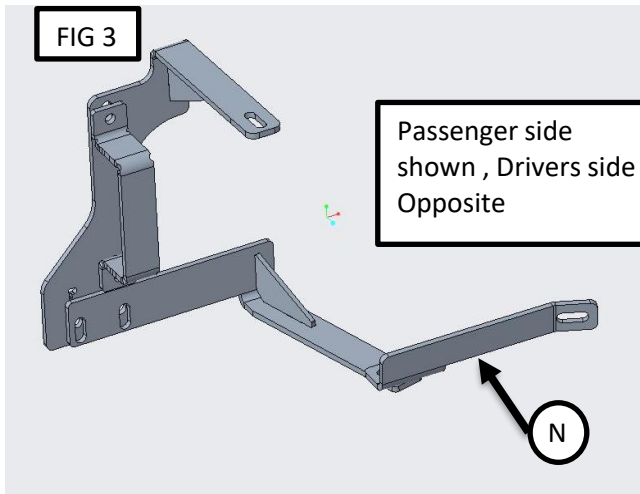
FIG 2

**3**

Measure the Front impact beam and mark the centre, place the brackets as shown in FIG 2. Use Mild steel M8 Nuts and bolts to mount brackets.

## Fitment Instruction: Hyundai Creta Nudge bar

Visual / Graphic Illustration



Step #

Description/Method

**4**

Replace the bumper so that the brackets protrude out the Front.

**5**

Now assemble bracket "N" as per FIG 3 using M8 Stainless hardware.

**6**

Now Place Nudge bar onto brackets , centralise and tighten.

## Final step

Page 4 of 4

Make sure bar is centralised and tighten all fasteners to specified torque. M8= 22Nm , M10= 42Nm , M6= 9Nm.

