

ACCESSORY FITMENT INSTRUCTION

Product

Isuzu D Max Nudge bars Top Support brackets

Part no.

TSBK-1600091 & 1600098



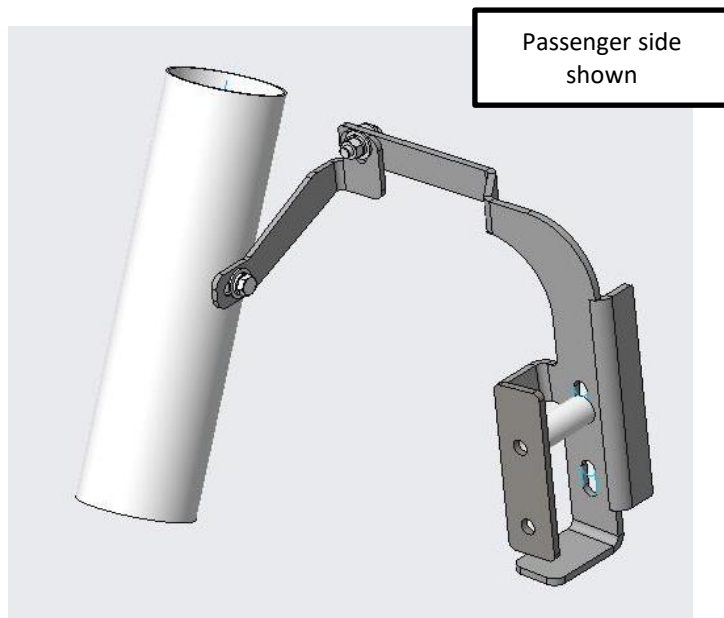
60
Minutes

Models : 2021+

Page 1 of 3

Date : 16-11-2022

DIAGRAM



Kit content:

	Qty	Description		Qty	Description
A	4	M10 x 90 set screws	L	2	Main Brackets LH & RH
B	8	M10 x 30 x 2 Flat washers	M	2	Joining Bracket D & P.
C	4	M10 Spring washers	N		
D	4	M10 Hex nuts	O		
E	4	M8 x 25 set screws	P		
F	6	M8 x 22 x 1.6 Flat Washers	Q		
G	4	M8 Spring Washers	R		
H	2	M8 Hex Nuts	S		
I	6	M8 Hex caps	T		
J	2	Spacer	U		
K	2	Backing plates	V		

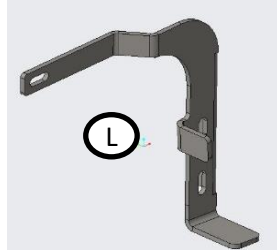
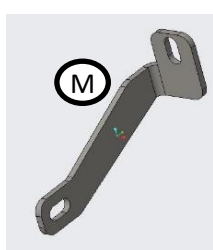
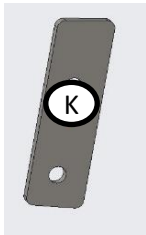
Qty		Qty	
	RATCHET & SOCKET SET		HACK SAW
	MASKING TAPE		Measuring tape

Precautions during fitment:

Do not cause any damage to the vehicle. Apply masking Tape to the front bumper prevent any scratches. Requires 2 people to fit. Ensure that you are wearing the appropriate PPE during Fitment.

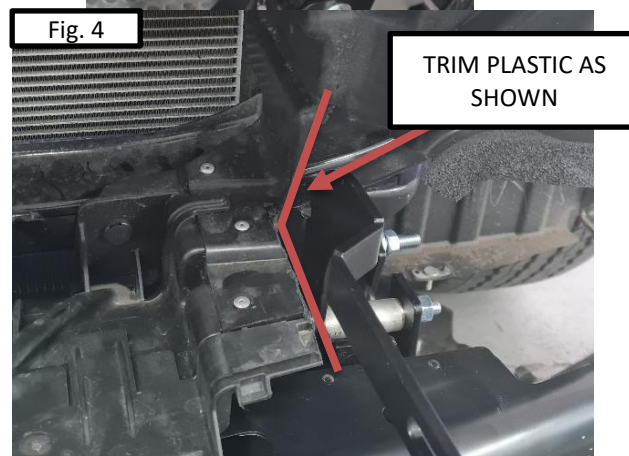
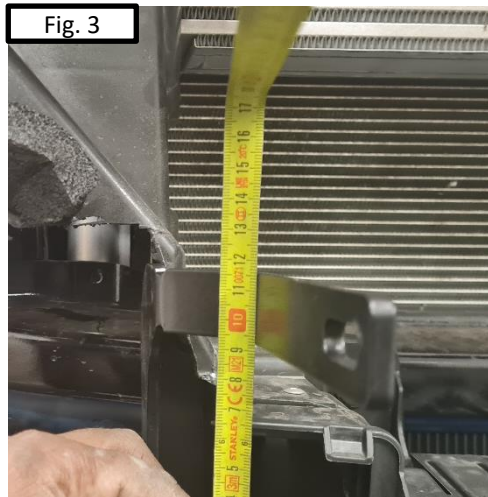
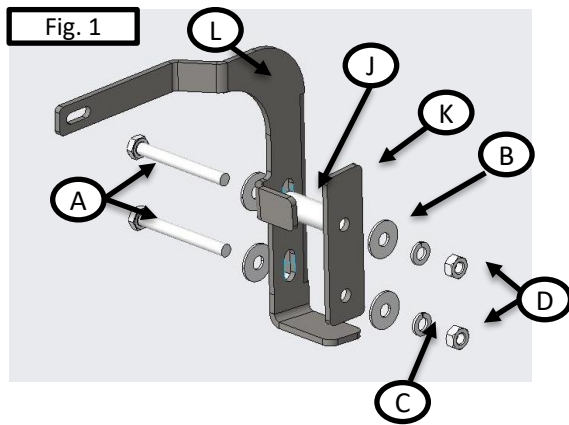
Directions for use:

Read all instructions carefully before installation



Fitment Instruction: ISUZU DMAX Top Support Brackets

Visual / Graphic Illustration



Step #

Description/Method

1

REMOVE Bumper from Vehicle , Remove Air deflector plastics.

2

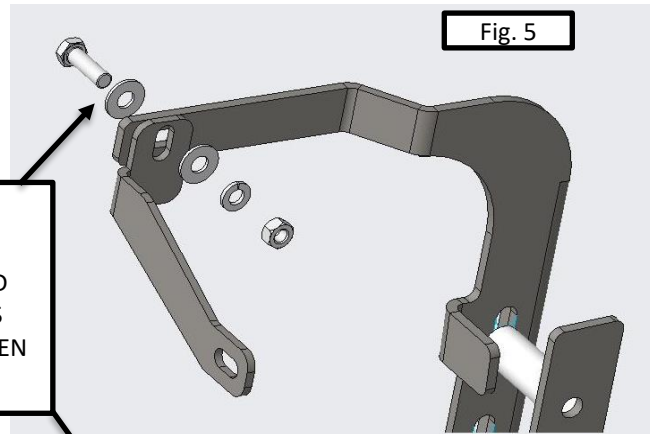
Assemble Brackets as shown in Fig 1 & 2. Measure 116mm (Fig 3) from top of bracket to top of Crash beam. Then you can tighten top mounting brackets .

3

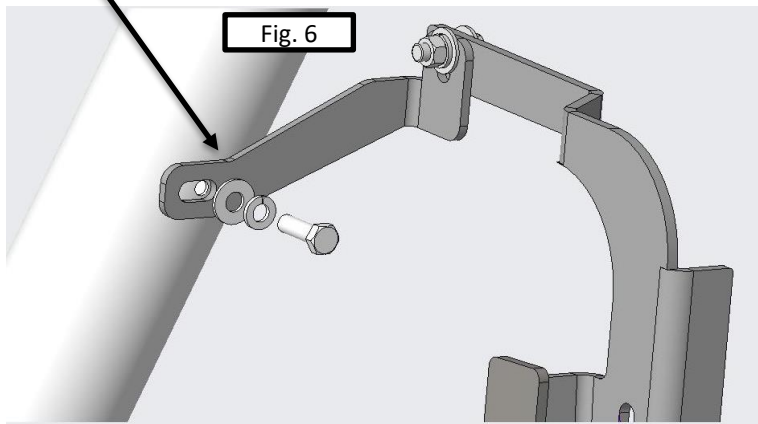
Trim Air deflector plastic as shown in Fig 4 , put back in place and re fit Bumper.

Fitment Instruction: ISUZU DMAX Top Support Brackets

Visual / Graphic Illustration



USE M8
HARDWARE
SUPPLIED AND
COVER BOLTS
WITH CAPS WHEN
COMPLETE



4

Assemble the small Joining bracket as shown in Fig 5. **NOTE: This bracket Orientation may vary Depending on whether you fitting a Nudge with Oval Cross member or a DMAX PDC Nudge. Use the P & D Markings as a guide!!** P=Passenger side ; D=Drivers side

5

Now mount the brackets to the Nudge bar as shown in Fig 6