

# ACCESSORY FITMENT

**Product**

Ford Ranger Next Gen Tri Bumper

**Part no.**

(150052T)(BS-150052) (Tracking No.: 494 )



60  
Minutes

Models : 2023 +

Page 1 of 12

Date : 07/03/2023

## DIAGRAM



	Qty	Description		Qty	Description
A	2	M12x50mm Set Screw	Q	2	Upright Support bracket(P+D)
B	2	M12x30mmx3mm	R	6	M8 x 35 set screws
C	2	M12 Spring Washers	S	6	M8 x 30 x 2 Flat Washers
D	6	M10x30mm Set Screw	T	8	M8 Spring Washers
E	2	M10x40mmx3mm Flat Washers	U	2	M10 x 30 set screws
F	12	M10x30mmx3mm Flat Washers	V	2	M10 x 25 x 2 Flat washers
G	10	M10 Spring Washer	W	2	M10 Spring washers
H	4	M8x25mm Set Screw	X	2	M8 x 25 Sets screws
I	4	M8x22mmx2mm Flat Washer	Y	2	M8 X 25 x 1.6 Flat Washers
J	4	M8 Spring Washer	Z	2	M8 Nut covers
K	8	M10 hex Nuts	A1	2	Main chassis mount bracket (P&D)
L	4	M8 Plastic Nut caps	B1	2	Top bumper grill brackets
M	4	M10 Plastic Nut caps			
N	2	Main Chassis Bracket(P+D)			
O	2	Side Spreader plate with weld bolts			
P	2	Nudge Mount bracket (P+D)			
Qty			Qty		
		RATCHET & SOCKET SET			HACK SAW
		MASKING TAPE			

### Precautions during fitment:

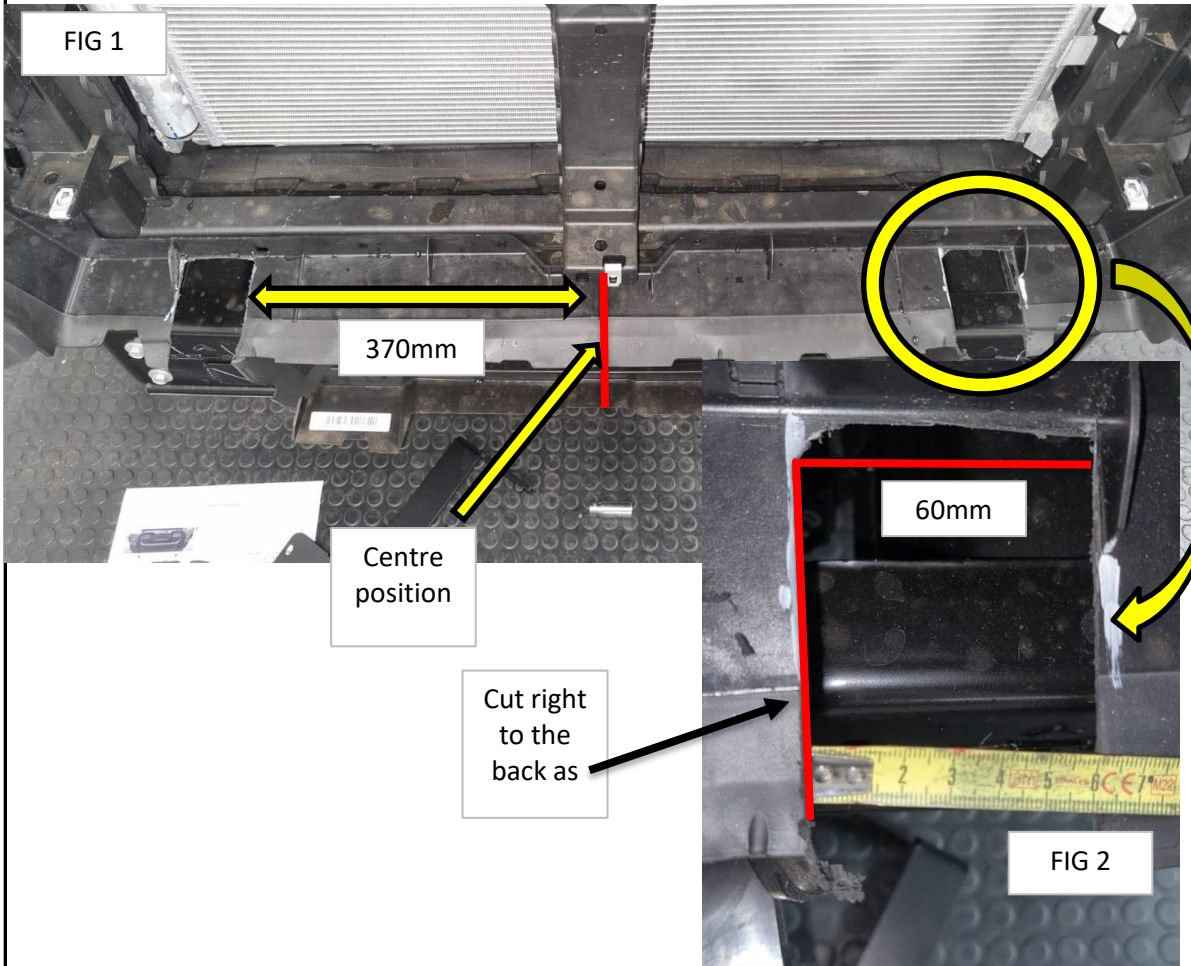
Do not cause any damage to the vehicle. Apply masking Tape to the front bumper prevent any scratches. Requires 2 people to fit. Ensure that you are wearing the appropriate PPE during Fitment.

### Directions for use:

Read all instructions carefully before installation

## Fitment Instruction: Ranger Tri-Bumper

Visual / Graphic Illustration



Step #

Description/Method

1

Remove Bumper

2

Find the centre of the air deflector, mark 370mm and make the 60mm cut as shown in FIG 1 and 2

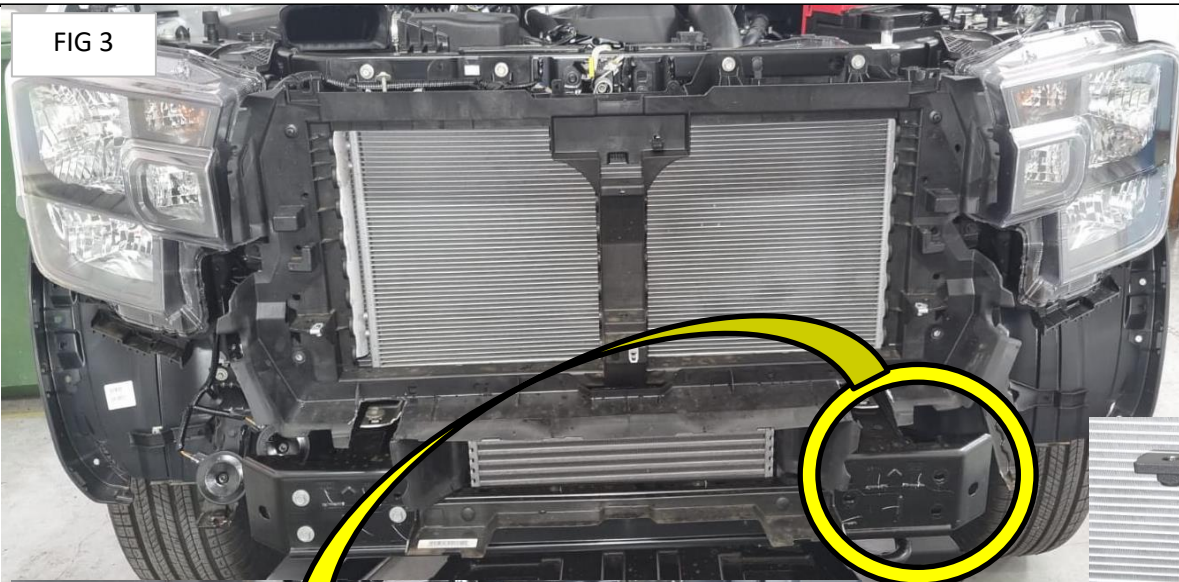
## Fitment Instruction: Ranger Tri-Bumper

Visual / Graphic Illustration

Step #

Description/Method

FIG 3



3

Using the M10 Fasteners provided, securely mount bracket J to the slam track as shown in FIG 5. Repeat this step on the drivers side as well and then fit the bumper back on but do not fully secure the grill.

FIG 4



A

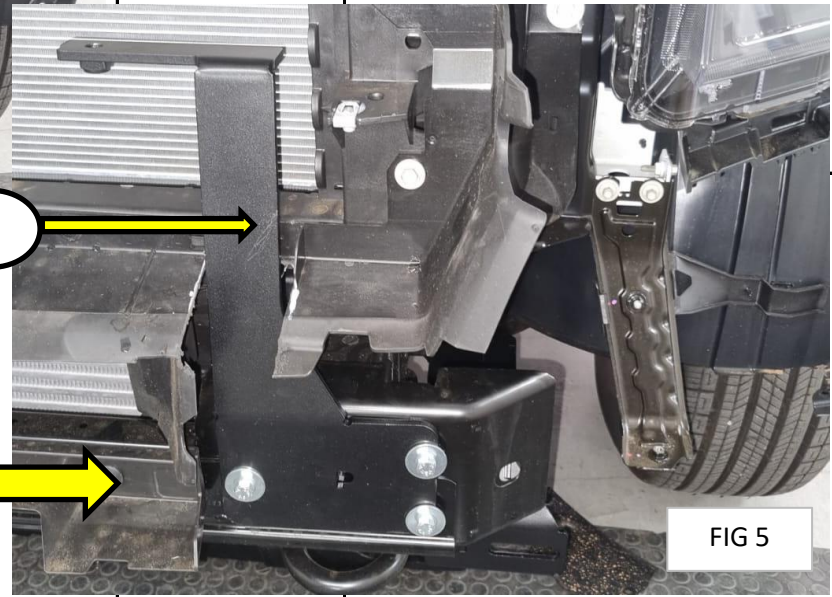


FIG 5

## Fitment Instruction: Ranger Tri-Bumper

Visual / Graphic Illustration

Step #

Description/Method

FIG 6



4

As shown in Fig 6 and 7, push the top bracket through the grill and loosely mount it to the main bracket using the M8 fasteners. Gently pull the grill forward just enough to get your hand and a socket through.

FIG 7

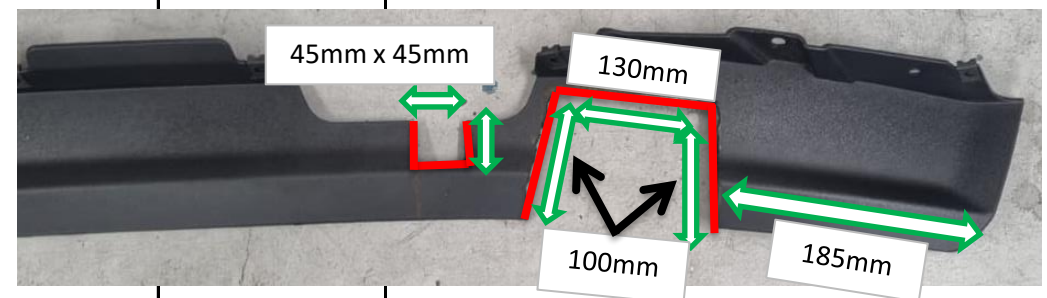
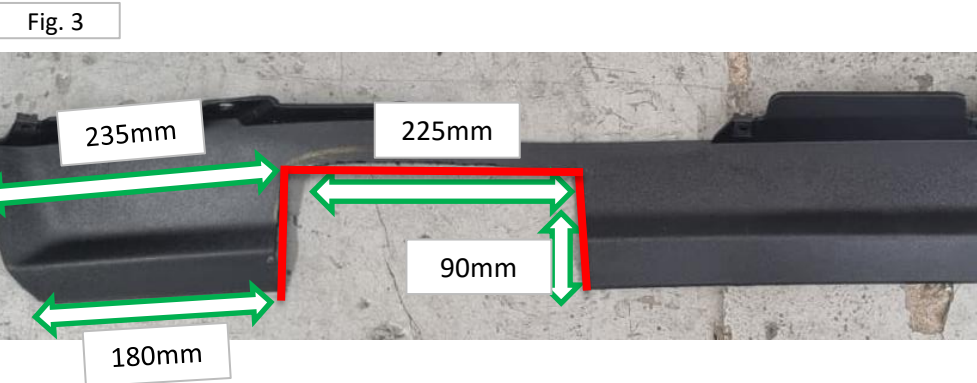


FIG 8



## Fitment Instruction: Ranger Tri-Bumper

Visual / Graphic Illustration



Step #

1

Description/Method

Remove Front Plastic Under cover.  
Mark the outline for your trim as shown in Fig 3 and 4.  
This will allow the brackets to come through without obstruction.  
Fig 2 shows you the final image of how the plastic should look.

**NB : After trimming the Plastic Cover you will need to install it back to the bumper before you begin the fitment.**

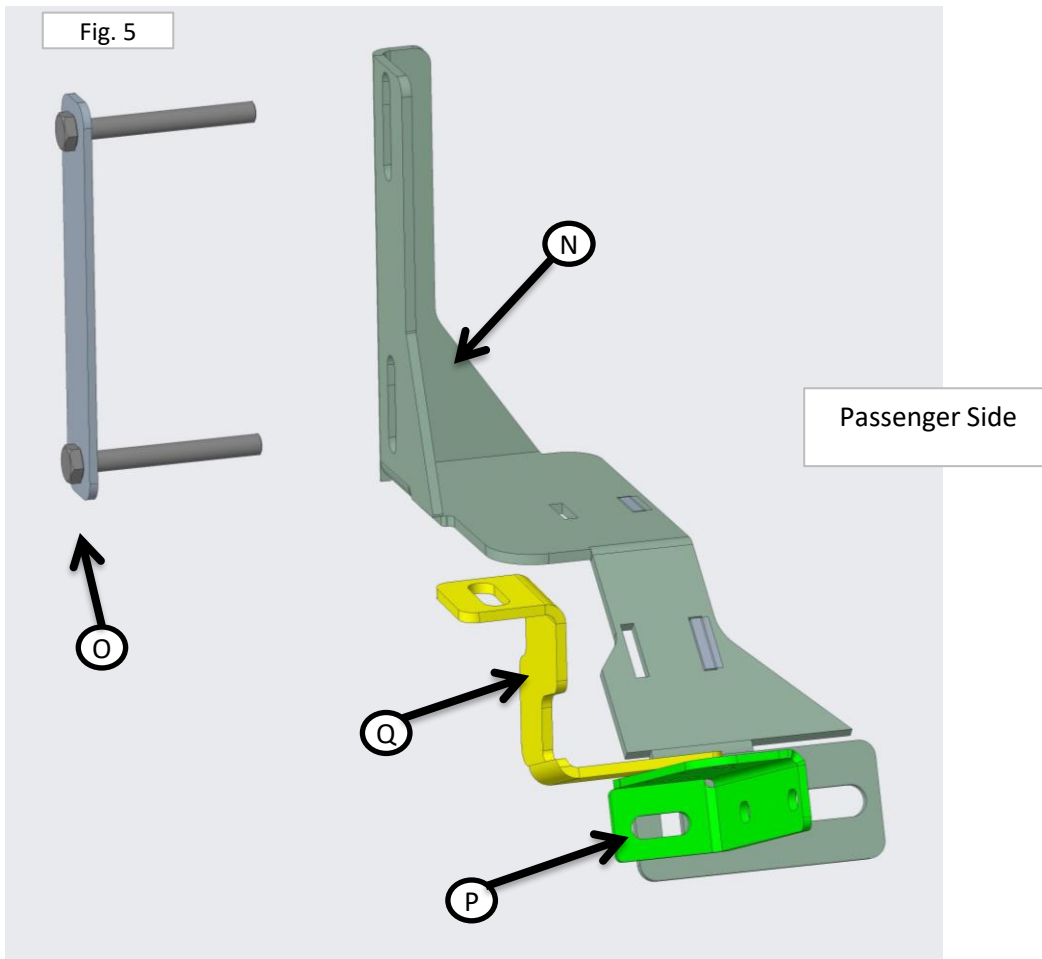
Fig. 4

## Fitment Instruction: Ranger Tri-Bumper

Visual / Graphic Illustration

Step #

Description/Method



Bracket assembly for passenger side shown in FIG 5

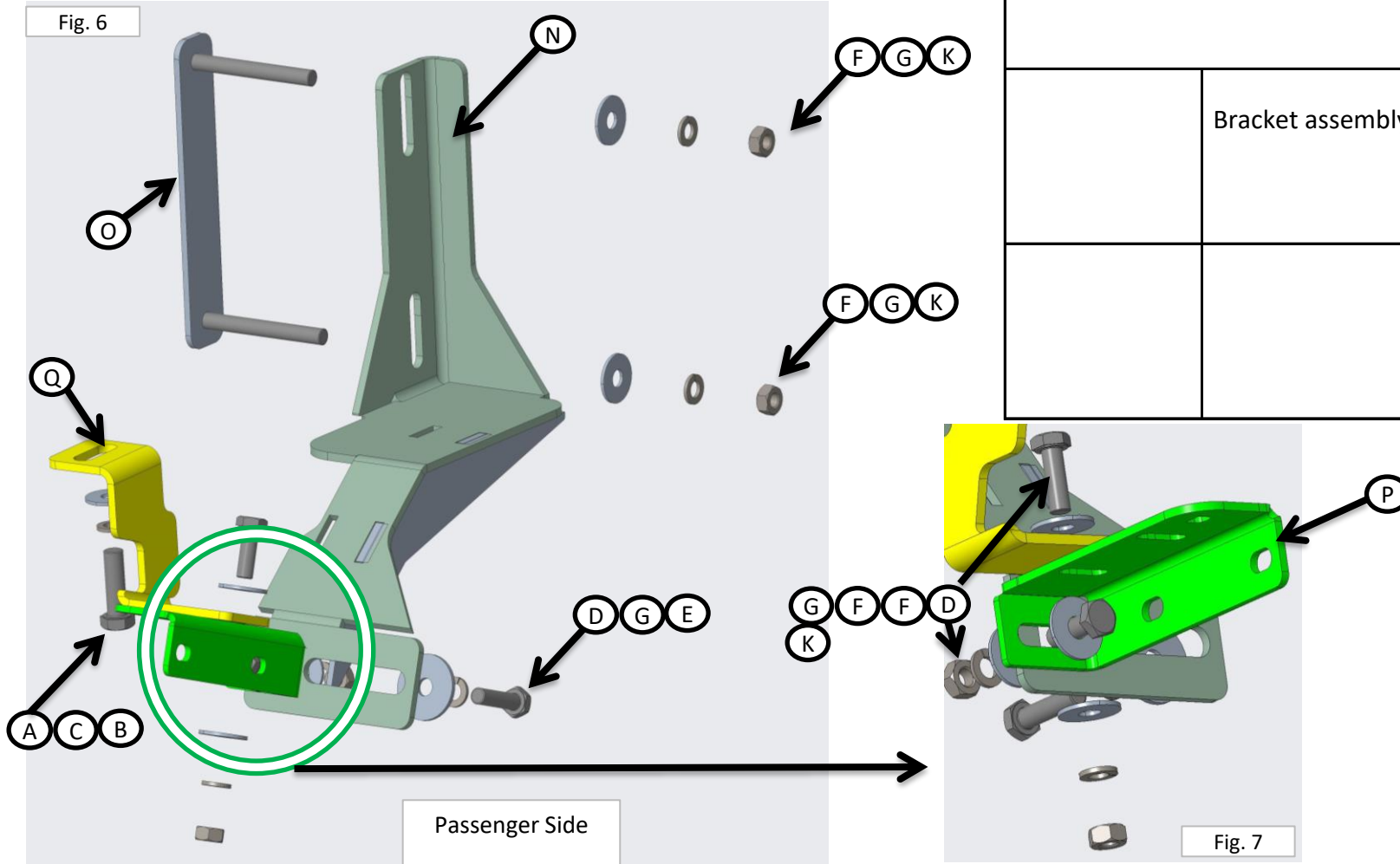
## Fitment Instruction: Ranger Tri-Bumper

Visual / Graphic Illustration

Step #

Description/Method

Bracket assembly including fasteners for passenger side shown in FIG 6 and 7



## Fitment Instruction: Ranger Tri-Bumper

Visual / Graphic Illustration

Step #

Description/Method

1

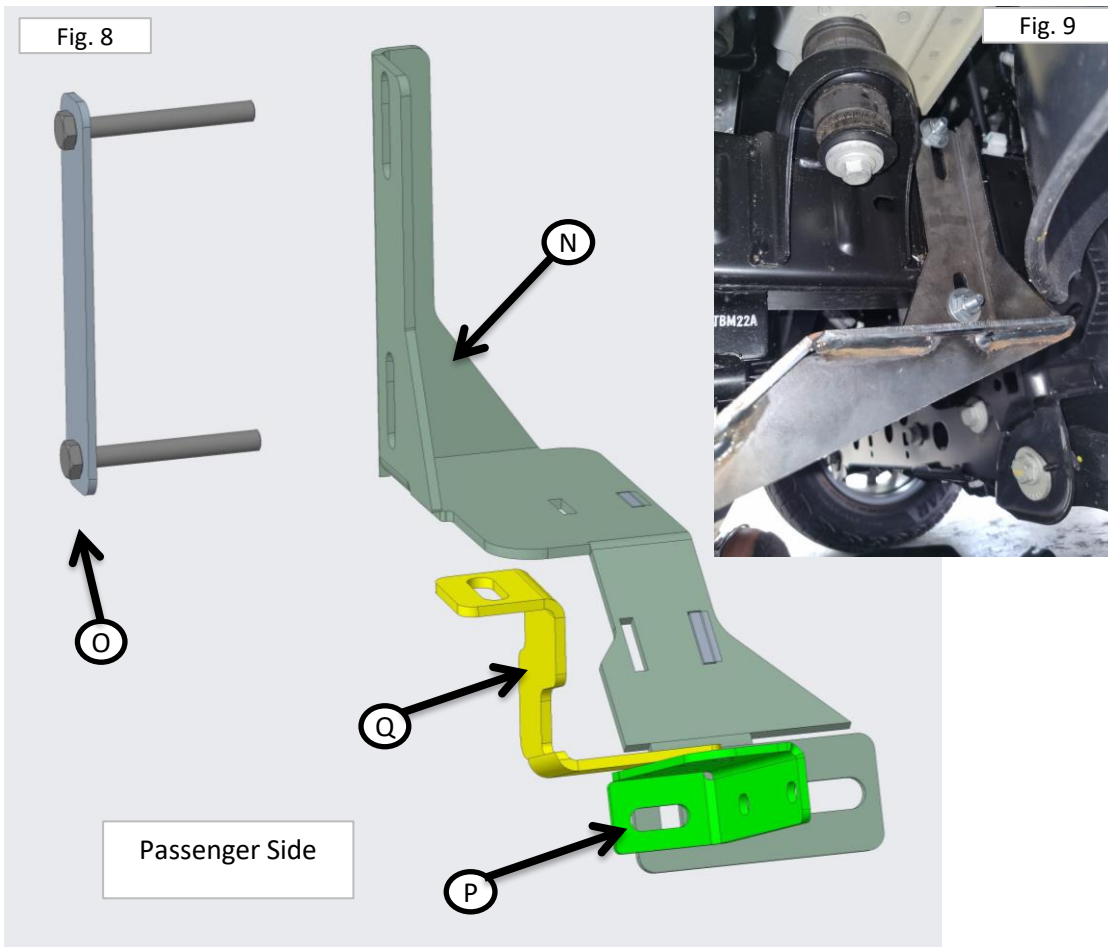
Place bracket 'O' behind the body mount over the chassis, using the fastners provided(Refer to Fig 6 for fastners), loosley mount bracket 'N' as shown in Fig 9 . .

2

Mount bracket P to bracket N as shown in Fig 8 and finger tighten.Refer to Fig 6 for fastners.

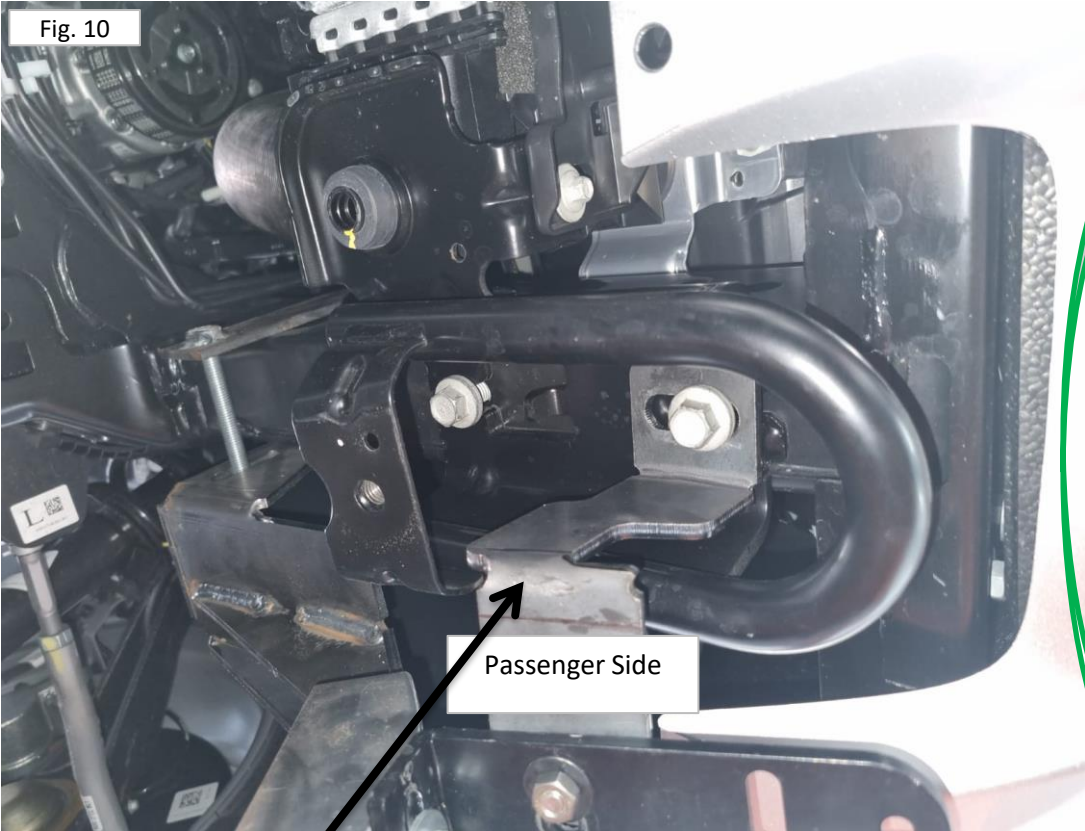
3

Loosley mount bracket Q to bracket P as shown in Fig 8.  
Refer to Fig 6 for fastners.





## Fitment Instruction: Ranger Tri-Bumper

Visual / Graphic Illustration	Step #	Description/Method
 <p data-bbox="129 469 210 496">Fig. 10</p> <p data-bbox="577 1107 757 1134">Passenger Side</p> <p data-bbox="338 1342 383 1374">Q</p>	4	<p>Mount the top of bracket 'Q' inside the tow eye to the chassis using the M12 fastners(Refer to Fig 6 for fastners) as shown in Fig 10.</p>
	5	<p>Repeat steps 1 to 4 on the drivers side.</p>
	NB:	<p>NB: Do not use original fastners from chassis, remove and discard. Image used is just for illustration</p>

# Fitment Instruction: Ranger Tri-Bumper

Visual / Graphic Illustration

FIG 11



FIG 12



Step #

Description/Method

5

Mount your bar using the M8 Fasteners as shown in the FIG 11 and 12.

## Fitment Instruction: Ranger Tri-Bumper

Visual / Graphic Illustration

Step #

Description/Method

Fig. 13



6

Loosley mount the inside of the nudge bar to the bracket 'P' as shown in the Fig 13 and 14 using the M8 fastners.(Refer to Fig 6 for fastners)

Fit the M8 and M10 Black bolt caps to exposed bolt heads

7

Loosley mount the back of the nudge to bracket 'N' as shown in Fig 15. Use the M10 fastners provided.(Refer to Fig 6 for fastners). Repeat steps 6 and 7 on the Drivers side.

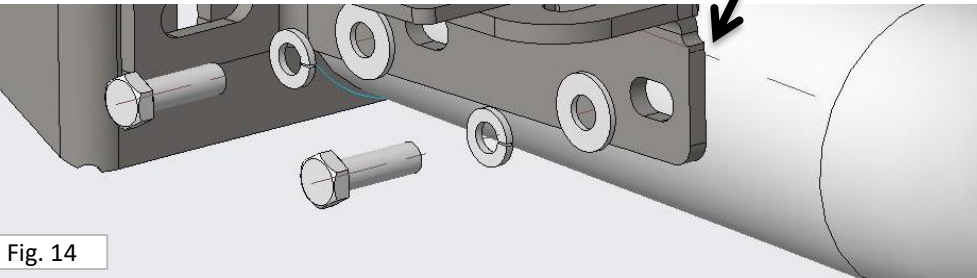


Fig. 14



Fig. 15

Make sure bar is centralised and tighten all fasteners to specified torque.  
M8= 22Nm , M10= 42Nm , M6= 9Nm, M12=73Nm.

Recommended fitment of the Tri-bumper and oval is to be on XL Models due to PDC Sensors

