

# ACCESSORY FITMENT

**Product**

New VW Amarok PDC nudge bar Stainless

**Part no.**

(250061) (Tracking No.: 488 )



60  
Minutes

Models : 2023 +

Page 1 of 8

Date : 04/03/2023

## DIAGRAM



|     | Qty | Description               |     | Qty | Description                         |
|-----|-----|---------------------------|-----|-----|-------------------------------------|
| A   | 2   | M12x50mm Set Screw        | L   | 4   | M8 Plastic Nut caps                 |
| B   | 2   | M12x30mmx3mm              | M   | 4   | M10 Plastic Nut caps                |
| C   | 2   | M12 Spring Washers        | N   | 2   | Main Chassis Bracket(P+D)           |
| D   | 6   | M10x30mm Set Screw        | O   | 2   | Side Spreader plate with weld bolts |
| E   | 2   | M10x40mmx3mm Flat Washers | P   | 2   | Nudge Mount bracket (P+D)           |
| F   | 12  | M10x30mmx3mm Flat Washers | Q   | 2   | Upright Support bracket(P+D)        |
| G   | 10  | M10 Spring Washer         |     |     |                                     |
| H   | 4   | M8x25mm Set Screw         |     |     |                                     |
| I   | 4   | M8x22mmx2mm Flat Washer   |     |     |                                     |
| J   | 4   | M8 Spring Washer          |     |     |                                     |
| K   | 8   | M10 hex Nuts              |     |     |                                     |
| Qty |     |                           | Qty |     |                                     |
|     |     | RATCHET & SOCKET SET      |     |     | HACK SAW                            |
|     |     | MASKING TAPE              |     |     |                                     |

### Precautions during fitment:

Do not cause any damage to the vehicle. Apply masking Tape to the front bumper prevent any scratches. Requirs 2 people to fit. Ensure that you are wearing the appropriate PPE during Fitment.

### Directions for use:

Read all instructions carefully before installation

## Fitment Instruction: Ranger Nudge bar

### Visual / Graphic Illustration

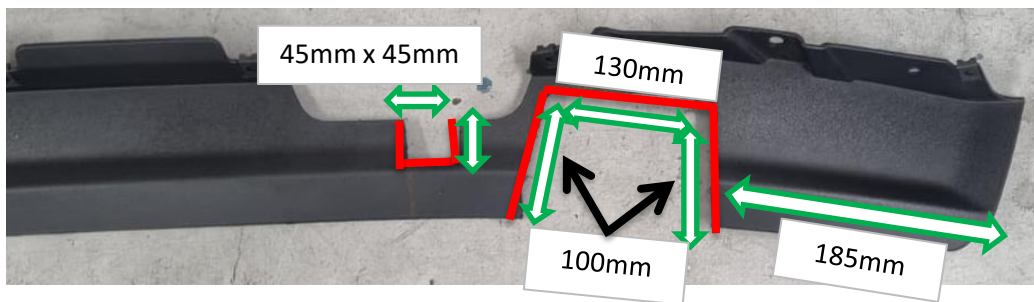
Fig. 1



Fig. 2



Fig. 4



### Step #

1

### Description/Method

Remove Front Plastic Under cover.  
Mark the outline for your trim as shown in Fig 3 and 4.  
This will allow the brackets to come through without obstruction.  
Fig 2 shows you the final image of how the plastic should look.

**NB : Fig 4 shows trim dimensions that must also be duplicated on the drivers side.**

**NB : After trimming the Plastic Cover you will need to install it back to the bumper before you begin the fitment.**

## Fitment Instruction: Ranger nudge bar

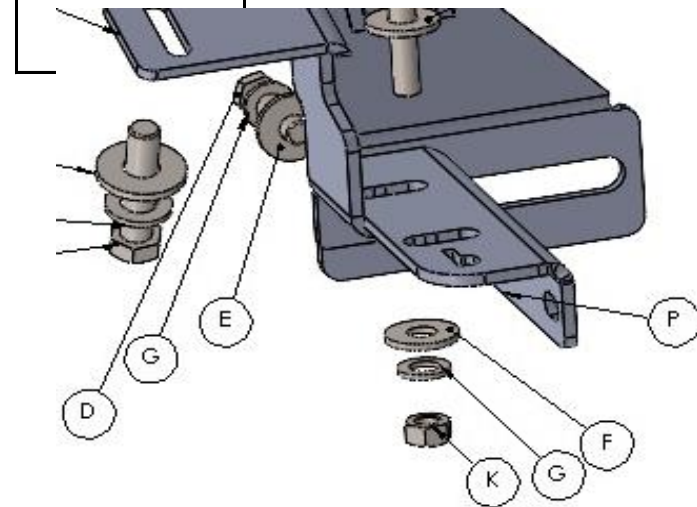
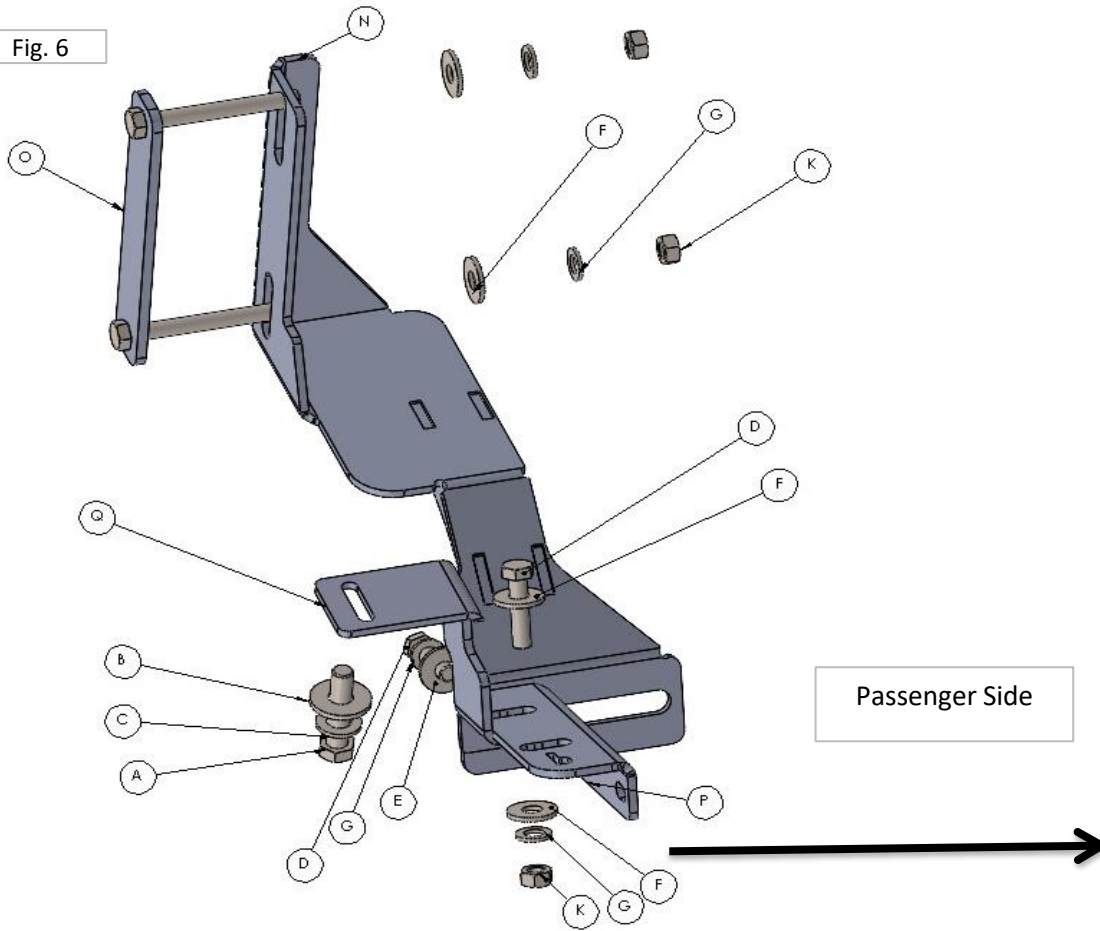
| Visual / Graphic Illustration                                  | Step # | Description/Method  |
|--|--------|---|
| <p>Fig. 5</p> <p style="text-align: right;">Passenger Side</p> |        | <p>Bracket assembly for passenger side shown in FIG 5</p> |
|  |        |   |
|  |        |   |

## Fitment Instruction: Ranger Nudge bar

Visual / Graphic Illustration

Step #

Description/Method

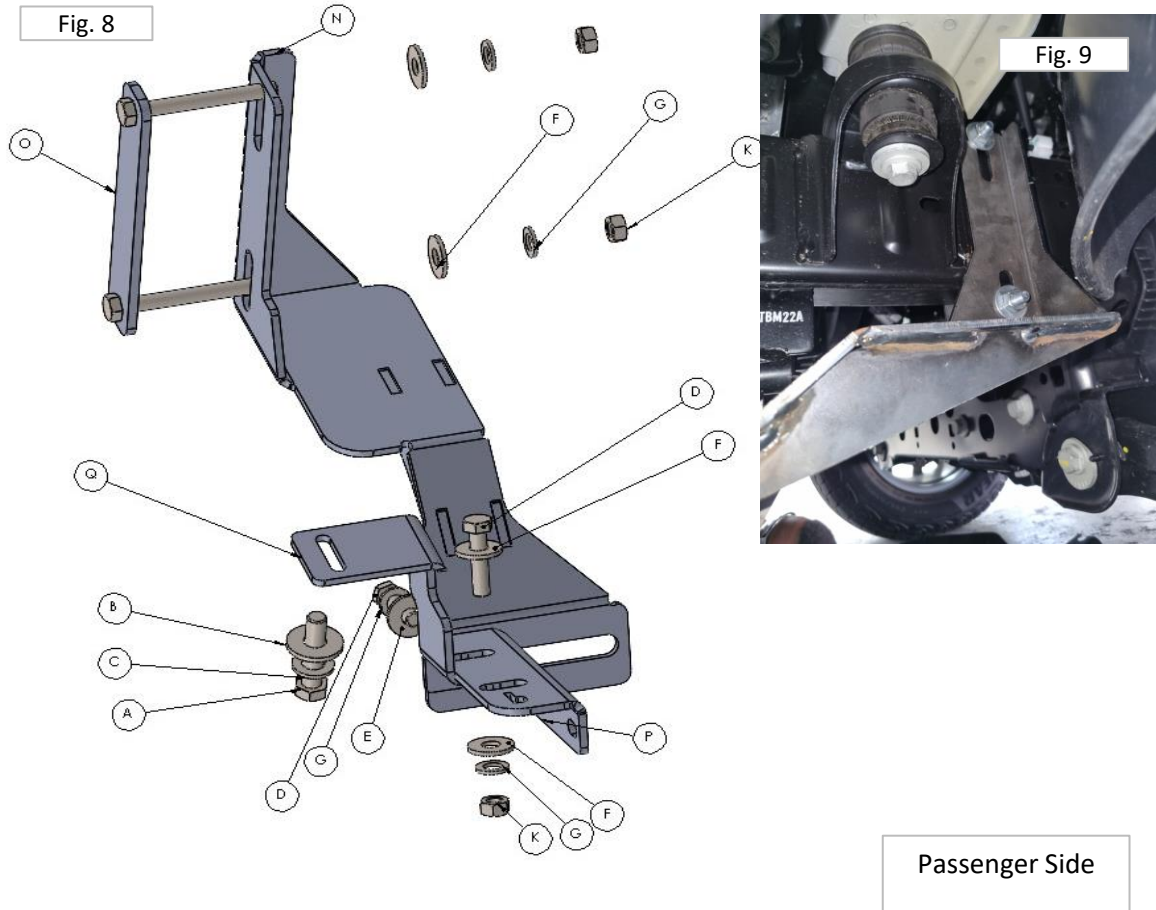


Bracket assembly including fastners for passenger side shown in FIG 6 and 7

Fig. 7

## Fitment Instruction:

### Visual / Graphic Illustration



| Step # | Description/Method   |
|--------|--|
| 1      | Place bracket 'O' behind the body mount over the chassis, using the fastners provided(Refer to Fig 6 for fastners), loosley mount bracket 'N'as shown in Fig 9 . . |
| 2      | Mount bracket P to bracket N as shown in Fig 8 and finger tighten.Refer to Fig 6 for fastners.   |
| 3      | Loosley mount bracket Q to bracket P as shown in Fig 8.<br>Refer to Fig 6 for fastners.  |
|        |  |

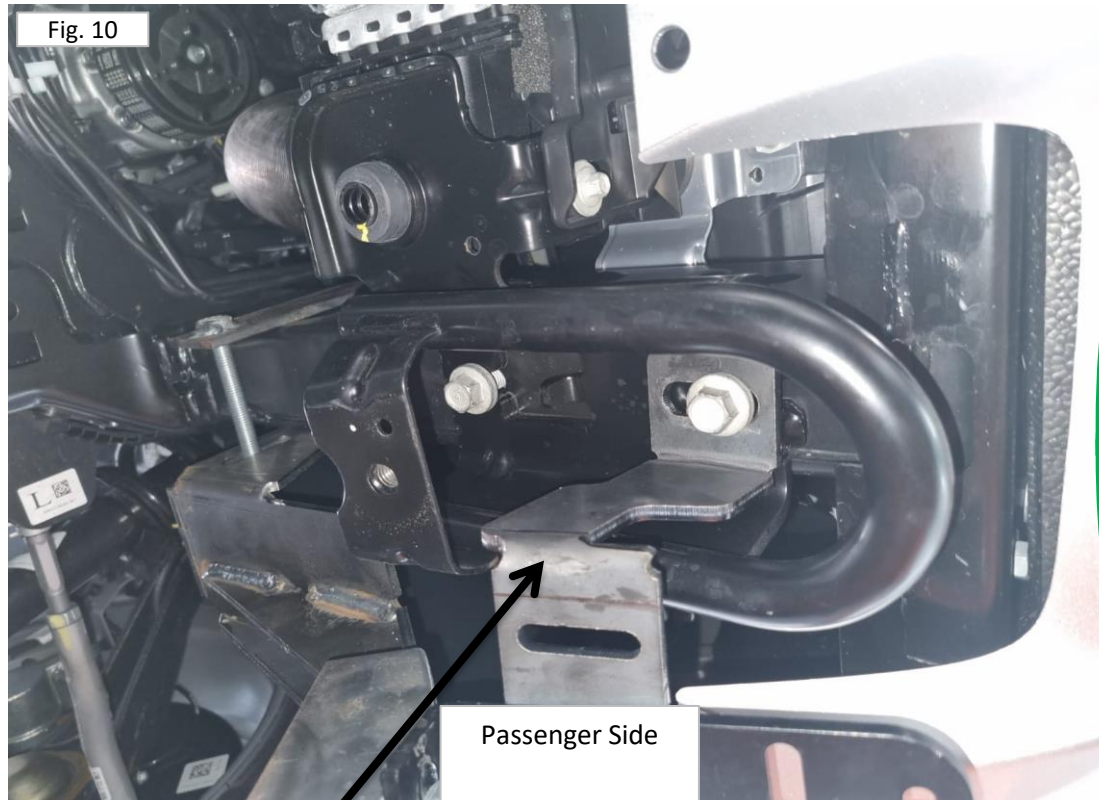


## Fitment Instruction: Ranger Nudge bar

Visual / Graphic Illustration

Step #

Description/Method



4

Mount the top of bracket 'Q' inside the tow eye to the chassis using the M12 fasteners(Refer to Fig 6 for fastners) as shown in Fig 10.

5

Repeat steps 1 to 4 on the drivers side.

NB:

NB: Do not use original fastners from chassis, remove and discard. Image used is just for illustration

## Fitment Instruction: Ranger Nudge bar

Visual / Graphic Illustration

Step #

Description/Method

Fig. 11

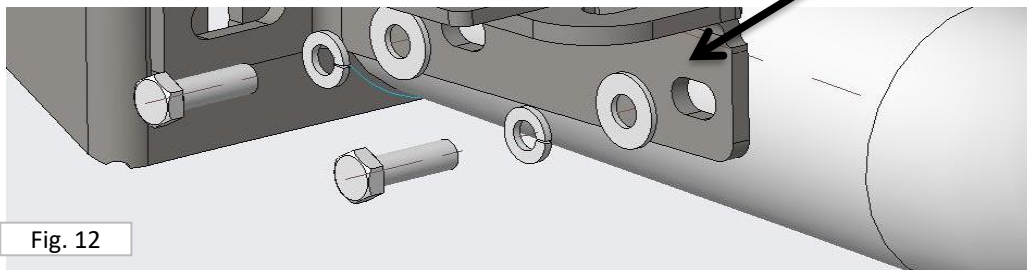
6

Loosley mount the inside of the nudge bar to the bracket 'P' as shown in the Fig 11 and 12 using the M8 fastners.(Refer to Fig 6 for fastners)

Fit the M8 and M10 Black bolt caps to exposed bolt heads

7

Loosley mount the back of the nudge to bracket 'N' as shown in Fig 13. Use the 10 fastners provided.(Refer to Fig 6 for fastners). Repeat steps 6 and 7 on the Drivers side.



Make sure bar is centralised and tighten all fasteners to specified torque. M8= 22Nm , M10= 42Nm , M6= 9Nm, M12=73Nm.

Model used is an XLT for photo purposes – Recommended fitment of the nudge and oval is to be on XL Models due to PDC Sensors



Ensure that the bar is fitted 20mm or 2 finger spacing from the bumper. This will ensure that PDC sensors are not affected.