

ACCESSORY FITMENT

Product

Raptor nudge bar stainless

Part no.

BS-150058



60
Minutes

Models : All

Page 1 of 5

Date :03/05/2023

DIAGRAM



Kit content:

	Qty	Description		Qty	Description
A	6	M10x30 sets	H	2	SIDE SUPPORT BRACKET
B	16	M10x30x2.5 Flat washers			
C	8	M10 Spring washers			
D	8	M10 Hex nuts			
E	8	M10 Plastic caps			
F	2	M10 x 100 set screws			
G	2	MAIN CHASSIS BRACKET			

Additional equipment/Material needed for fitment :

Qty			Qty	
2		17 spanners		
1		17 socket and ratchet		

Precautions during fitment:

Wear correct PPE and dont scratch the vehicle during fitment.

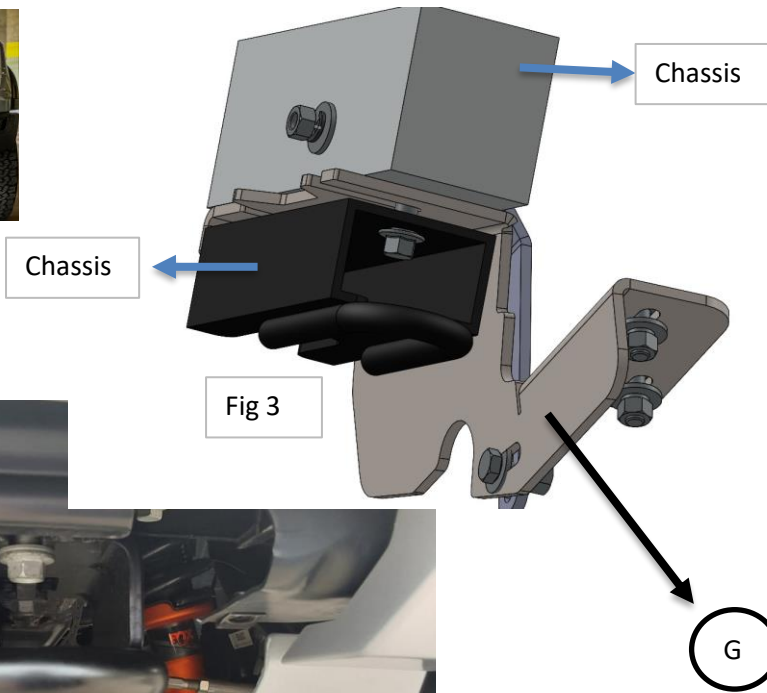
Directions for use:

Read entire fitting instruction before you begin.

Fitment Instruction: Ranger Raptor Nudge

Visual / Graphic Illustration

Fig 1



Chassis

Chassis

Fig 3

G



Fig 2

Step #

Description/Method

1

Loosen the bolts on the toweye. Do not remove it.

2

Slide the main chassis bracket(A) (Fig3) inbetween the tow and the chassis. Loosley tighten.

3

Repeat step 2 on the drivers side

Fitment Instruction: Ranger Raptor nudge

Visual / Graphic Illustration

Step #

Description/Method

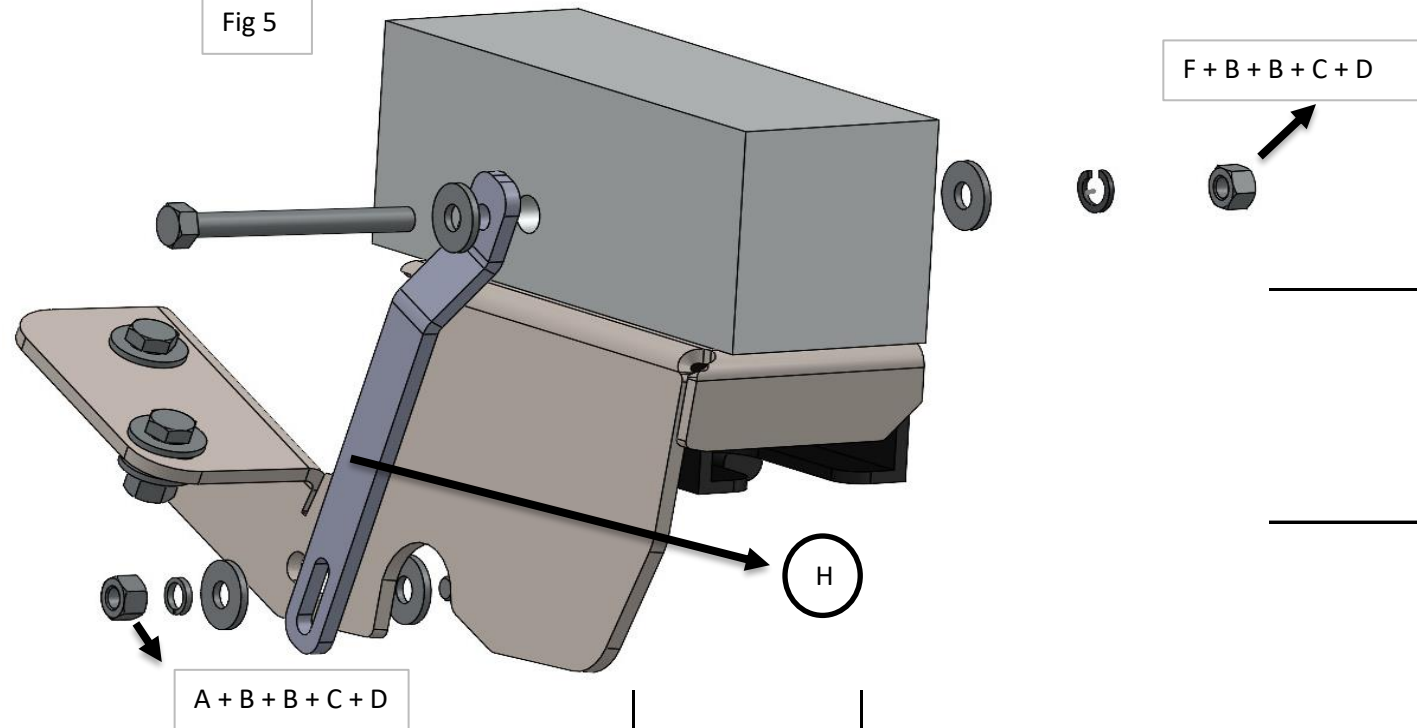
Fig 4



4

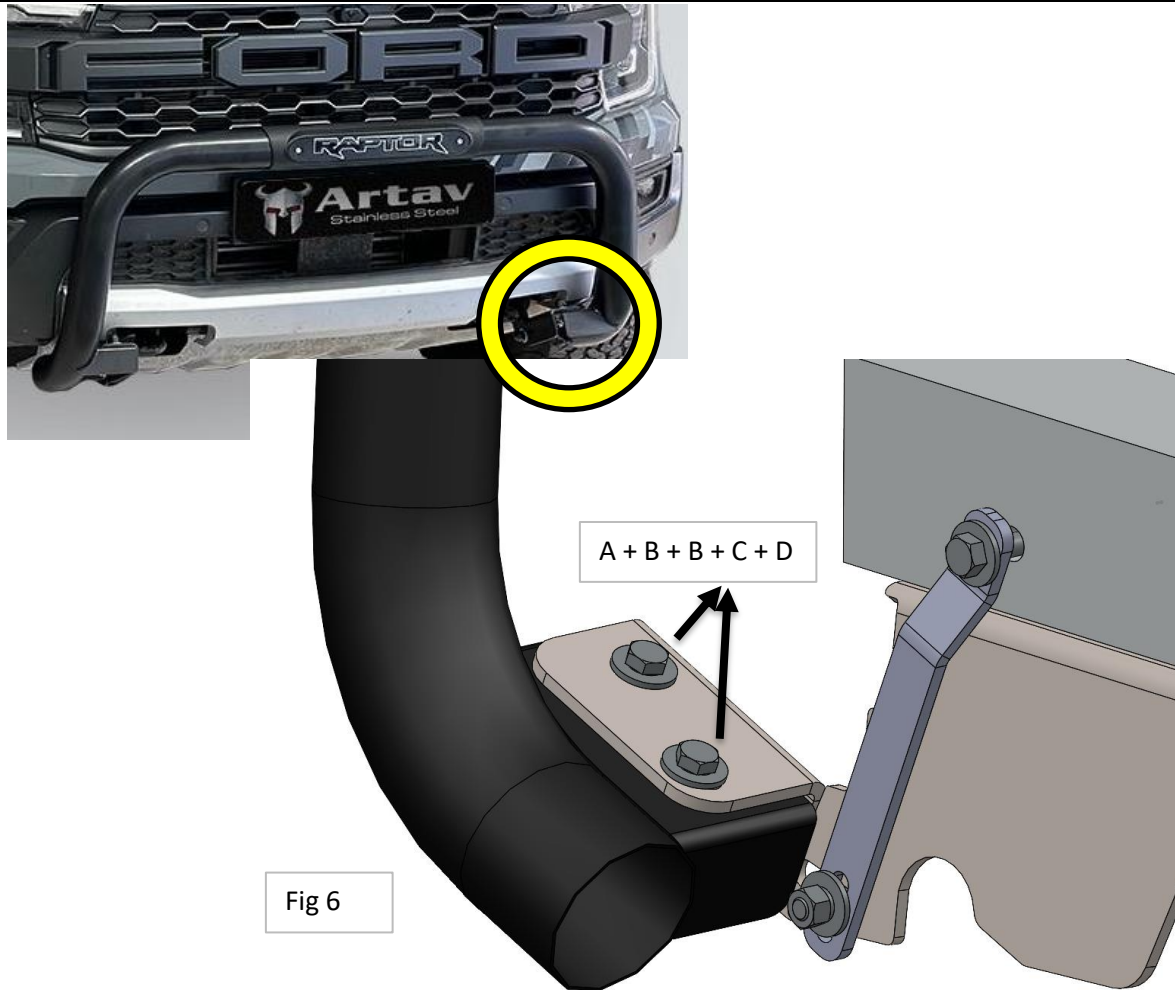
Loosely mount the side brace bracket(H) as shown in fig 4 and 5

Fig 5



Fitment Instruction: Ford Raptor nudge

Visual / Graphic Illustration



Step #

Description/Method

5

Loosely attach the nudge bar as shown in Fig 6.

Make sure bar is centralised and tighten all fasteners to specified torque. M8= 22Nm , M10= 42Nm , M6= 9Nm.



Ensure that the bar is centralized with a 1 to 2 finger gap between the bar and the bumper. This will ensure that the PDC sensors don't get triggered.