

ACCESSORY FITMENT INSTRUCTION

Product

New VW Amarok & Next Gen Ranger Front Styling Bar

Part no.

(250060) (Tracking No.: 497)



60
Minutes

Models : 2023 +

Page 1 of 5

Date : 20/04/2023

DIAGRAM



| | Qty | Description | | Qty | Description |
|---|-----|---------------------------|---|-----|-------------|
| A | 2 | M12x50mm Set Screw | L | | |
| B | 2 | M12x30mmx3mm Flat washers | M | | |
| C | 2 | M12 Spring Washers | N | | |
| D | 4 | M10x30mm Set Screw | O | | |
| E | 8 | M10x30mmx3mm Flat Washers | P | | |
| F | 4 | M10 Nylock nuts | Q | | |
| G | 8 | M10 Plastic Nut caps | | | |
| H | 2 | Main chassis bracket | | | |
| I | | | | | |
| J | | | | | |
| K | | | | | |

| Qty | | Qty | |
|-----|----------------------|-----|--|
| | RATCHET & SOCKET SET | | |
| | MASKING TAPE | | |

Precautions during fitment:

Do not cause any damage to the vehicle. Apply masking Tape to the front bumper prevent any scratches. Ensure that you are wearing the appropriate PPE during Fitment.

Directions for use:

Read all instructions carefully before installation

Fitment Instruction: Amarok Front Styling bar

| Visual / Graphic Illustration | Step # | Description/Method |
|---|-----------------|---|
| <p>Fig. 1</p> <p>Loosen bolts on splash guard but do not remove</p> <p>Replicate cut out</p> <p>NB : Dont not forget to tighten splash guard once bracket is fitted.</p> <p>On the Ranger and Amaroks that dont have 2 toweyes, you will need to make a cut out as shown. Make the exact cut out as the current toweye.</p> <p>Replicate cut out</p> | <p>1</p> | <p>Loosen the splash guard. This will allow you to pull it down slightly when inserting the bracket under the toweye.</p> |

Fitment Instruction: Amarok Front Styling bar

Visual / Graphic Illustration

Step #

Description/Method

Fig. 2

Drivers Side



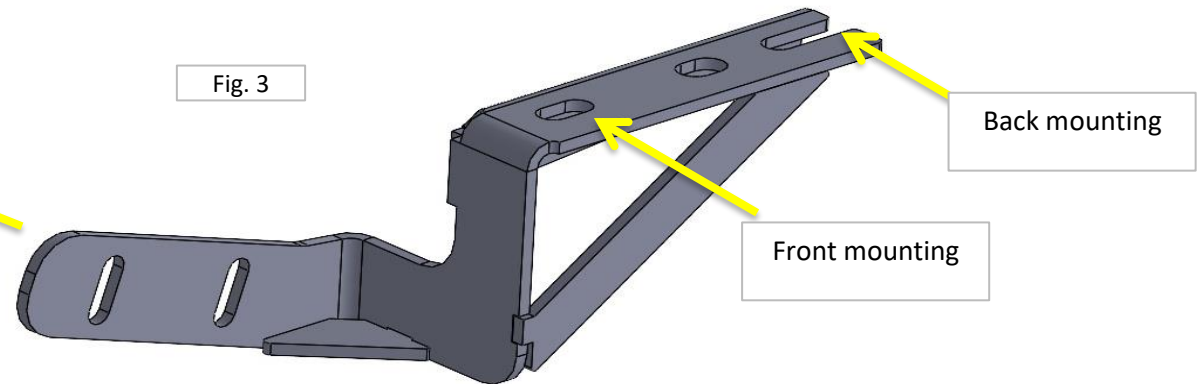
2

Remove the bolts from the toweye. Gently pull the splash guard down just enough to ease to the bracket in position and then using the M12 fasteners supplied in the kit, loosly secure the bracket and the toweye at the front.

3

Using the original bolt loosly secure the back of the bracket and the toweye. The toweye will be sandwiched inbetween the bracket and the chassis.

Fig. 3

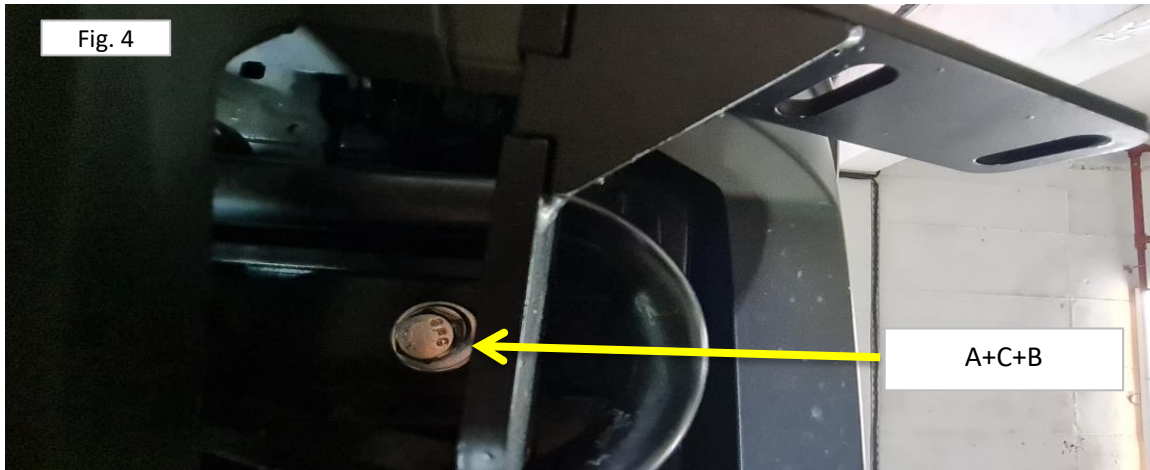


Fitment Instruction: Amarok Front Styling bar

Visual / Graphic Illustration

Step #

Description/Method



| | |
|---|--|
| 4 | Repeat steps 1, 2 and 3 on the Passenger side |
| 5 | Loosely mount the bar and ensure you use the correct fasteners as per Fig4 and Fig 5 |



NB : Dont not forget to tighten splash guard once bracket is fitted.

Make sure bar is centralised and tighten all fasteners to specified torque. M8= 22Nm , M10= 42Nm , M6= 9Nm, M12=73Nm.

