

ACCESSORY FITMENT

Product

Toyota Fortuner 2023 nudge bar TOP SUPPORT
BRACKETS - FACELIFT

Part no.

TSBK-FORTUNER23 (TN: 504)



60
Minutes

Models : SUV

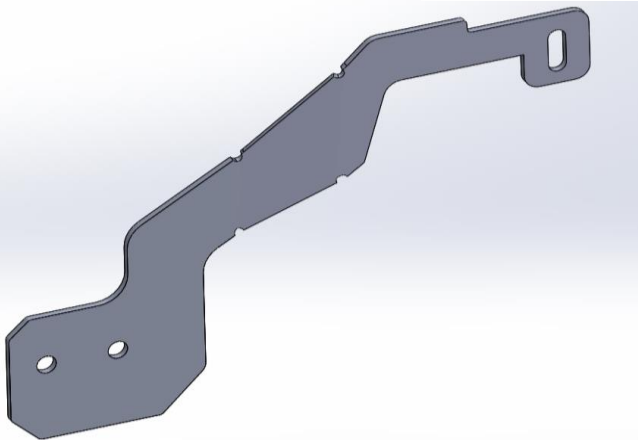
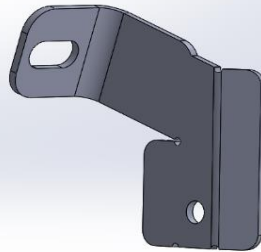
Page 1 of 3

Date : 10-07-2020

DIAGRAM

Figure 1

Driver's side brackets.



Kit content:

	Qty			Qty	Description
A	4	M8 X 20 SETS	N		
B	4	M8 SPRING WASHERS	O		
C	6	M8 X 22 X 1.6 FLAT WASHERS	P		
D	2	M8 HEX NUTS	Q		
E			R		
F			S		
G			T		
H			U		
I			V		
J					
K					
L					
M					
Qty	1	Ratchet Set	Qty		
	1	Spanner Set			
	1	Torque Wrench			

Precautions during fitment:

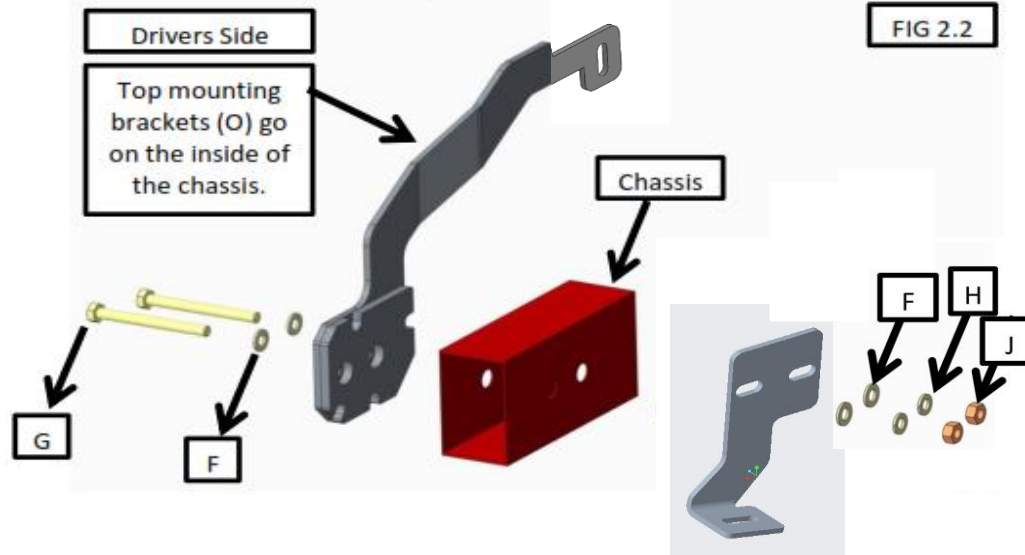
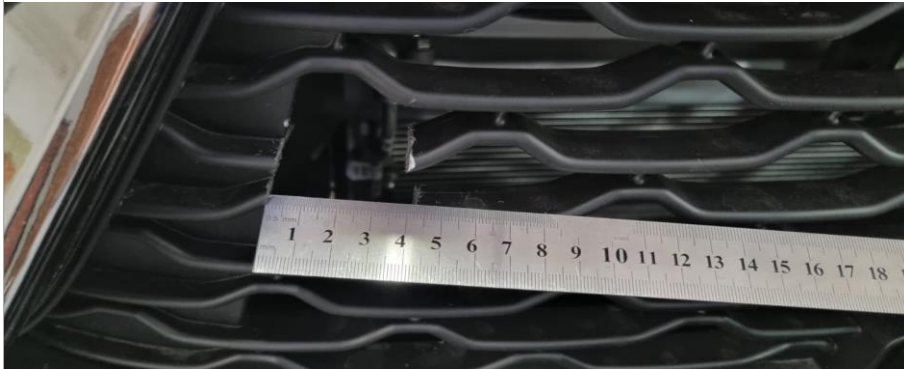
Please take precaution when installing Nudge Bar to prevent any damages to the vehicle and the Nudge Bar

Directions for use:

Please follow the steps below, numbered 1 to 8

Fitment Instruction: Toyota Hilux Top Bracket

Visual / Graphic Illustration



Step No.

Description/Method

1

2 ribs must be cut out of the grill. Tape surrounding areas to avoid any damage to grill. Cut out the ribs shown in FIG 2.1.

2

On the chassis you will find two holes. Mount the brackets labelled D as shown in FIG 2.2.

3

The top brackets can be mounted by sliding them in from the bottom of the bumper up and through the trimmed grill in FIG 2.1 and against the inside of the chassis.

4

Continue with the normal nudge fitment as per the fitting instructions provided for the nudge bar

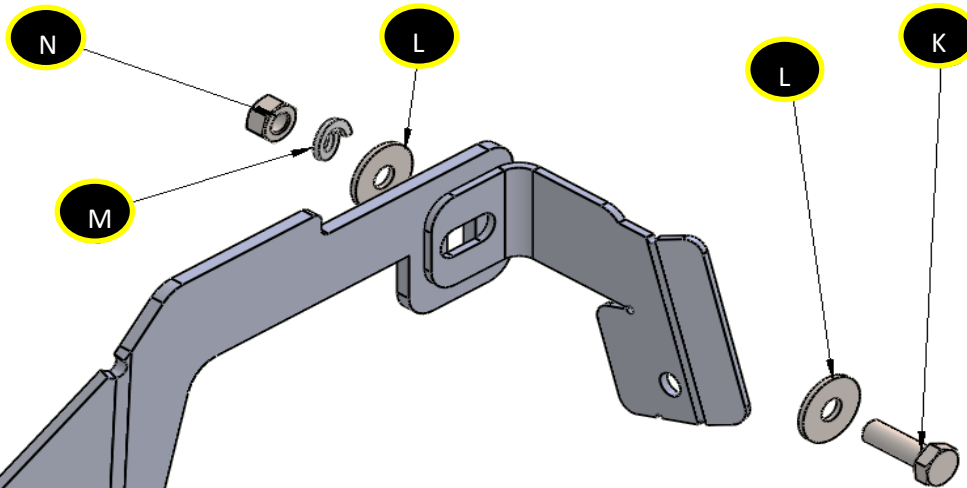
Fitment Instruction: Toyota Hilux Top Bracket

Visual / Graphic Illustration

Step No.

Description/Method

Figure 3



5

Mount the nudge bar as shown in the Figure 3. Repeat steps on page 2 and 3 on the passenger side.

6

Insert the Fasteners as shown in Figure 1. Do not tighten fully. Continue with the main nudge fitment.

Final step

Page 6 of 6

Make sure bar is centralised and tighten all fasteners to specified torque. M8= 22Nm , M10= 42Nm , M6= 9Nm.

