

ACCESSORY FITMENT

Product

New VW Amarok PDC nudge bar Stainless

Part no.

250061-23 TN:512



60
Minutes

Models : All

Page 1 of 6

Date :03/05/2023

DIAGRAM

Kit content:



	Qty	Description		Qty	Description
A	6	M10x30 sets	H	2	SIDE SUPPORT BRACKET
B	16	M10x30x2.5 Flat washers			
C	8	M10 Spring washers			
D	8	M10 Hex nuts			
E	8	M10 Plastic caps			
F	2	M10 x 100 set screws			
G	2	MAIN CHASSIS BRACKET			

Additional equipment/Material needed for fitment :

Qty		Description	Qty		Description
2		17 spanners			
1		17 socket and ratchet			


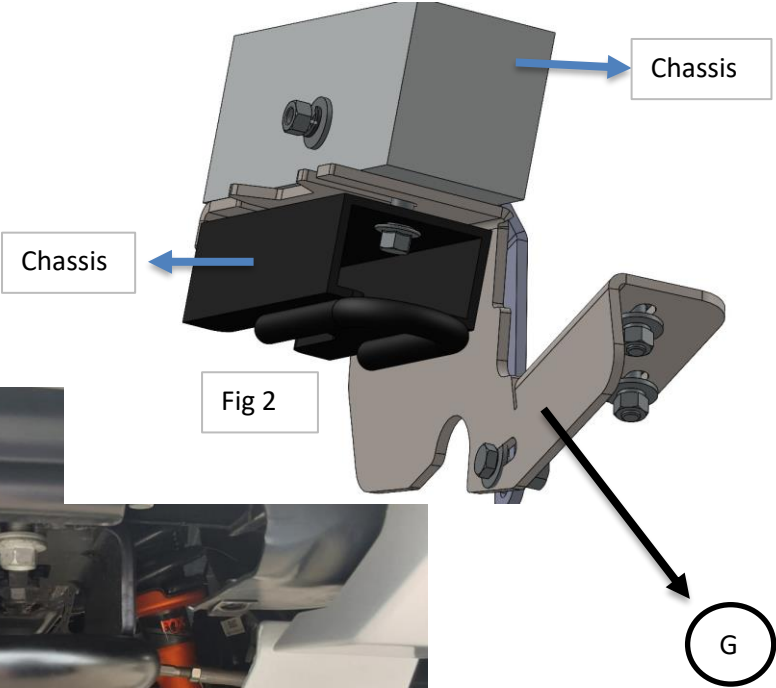

Precautions during fitment:

Wear correct PPE and dont scratch the vehicle during fitment.

Directions for use:

Read entire fitting instruction before you begin.

Fitment Instruction: Ranger Nudge

Visual / Graphic Illustration	Step #	Description/Method
 	1	Trim bumper if vehicle only comes with 1 toweye. See page 5 for instructions.
 <p data-bbox="47 1321 174 1369">Fig 1</p>	2	Loosen the bolts on the toweye. Do not remove it.
	3	Slide the main chassis bracket(A) (Fig2) inbetween the tow and the chassis. Loosley tighten.
	4	Repeat step 2 on the drivers side

Fitment Instruction: Ranger nudge

Visual / Graphic Illustration

Step #

Description/Method

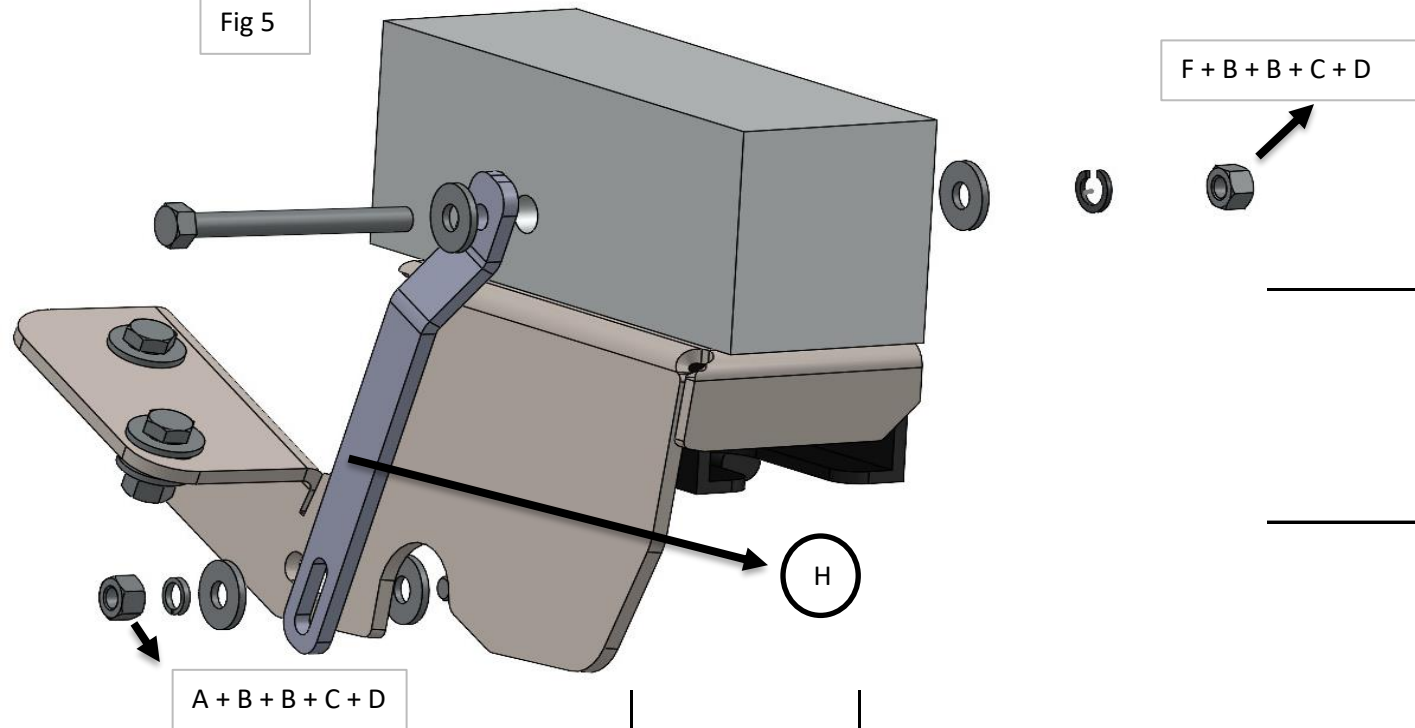
Fig 4



4

Loosely mount the side brace bracket(H) as shown in fig 4 and 5

Fig 5



Fitment Instruction: Ford Ranger nudge

Visual / Graphic Illustration

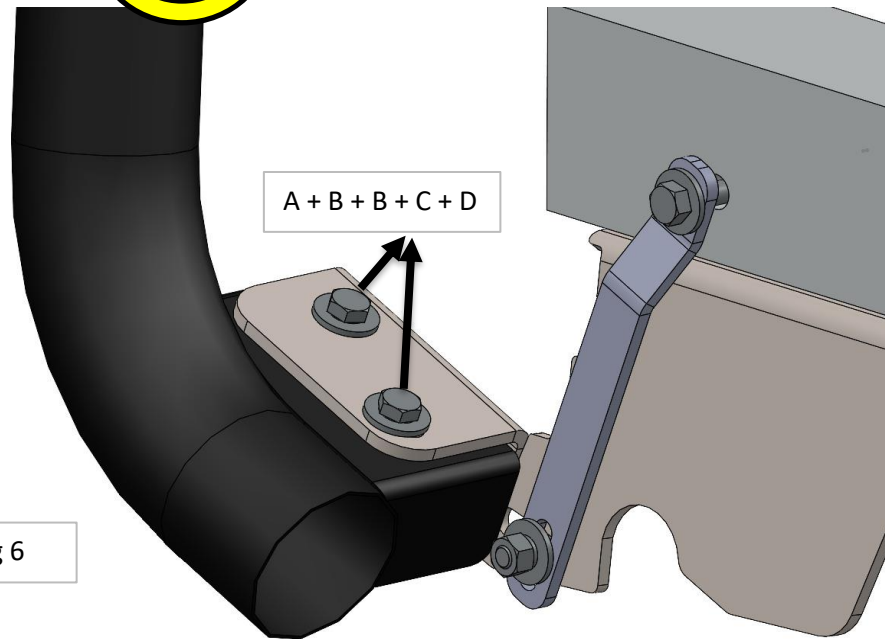


Fig 6

Step #

Description/Method

5

Loosely attach the nudge bar as shown in Fig 6.

Fitment Instruction: Ford Ranger nudge

Visual / Graphic Illustration



Step #

Description/Method

6

If you are fitting a vehicle with 1 toweye then ensure that you trim the bumper accordingly.

Make sure bar is centralised and tighten all fasteners to specified torque. M8= 22Nm , M10= 42Nm , M6= 9Nm.



Ensure that the bar is centralized with a 1 to 2 finger gap between the bar and the bumper. This will ensure that the PDC sensors don't get triggered.