

# ACCESSORY FITMENT

**Product**

Next gen Amarok Bushbar with Wings

**Part no.**

(BS-250068/BS-250069) (Tracking No.: 515/516 )



60  
Minutes

Models : 2023 +

Page 1 of 8

Date : 24/07/2023

## DIAGRAM



	Qty	Description		Qty	Description
A	6	M10 X 30 MM SET SCREWS	L	6	M10 HEX NUTS
B	2	M8 X 25 SETS SCREWS	M	2	M8 PLASTIC BLACK CAPS
C	12	M12X30 X2.5MM FLATS WASHERS	N	6	M8 X 35 SETS SCREWS
D	6	M10 SPRING WASHERS	O	6	M8 X 30 2 FLAT WASHERS
E	2	M8X22X1.6 FLAT WASHERS	P	6	M8 SPRING WASHERS
F	2	M8 SPRING WASHERS	Q	2	BOTTOM BRACKETS (P AND D)
G	4	M10 HEX NUTS	R	2	INTERMEDIATE BRACKETS (P AND D )
H	20	M10 PLASTICS CAPS	S	2	TOP BRACKETS
I	6	M10 X 30 SETS	T		
J	6	M10 SPRING WASHERS	U		
K	12	M10X30X2.5 FLAT WASHERS	V		
Qty			Qty		
		RATCHET & SOCKET SET			HACK SAW
		MASKING TAPE			Screw driver set

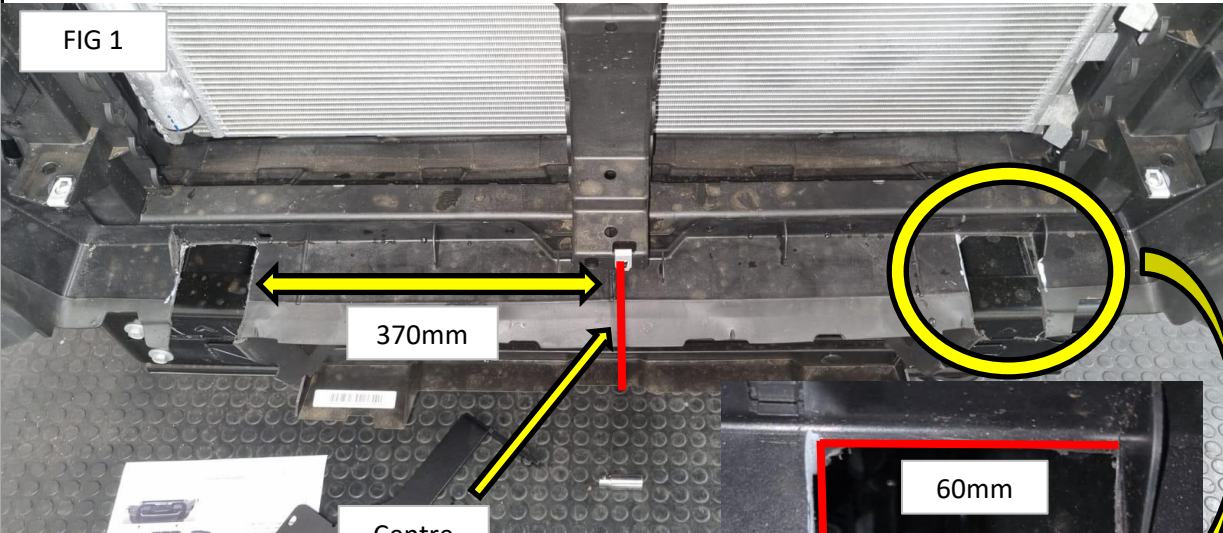
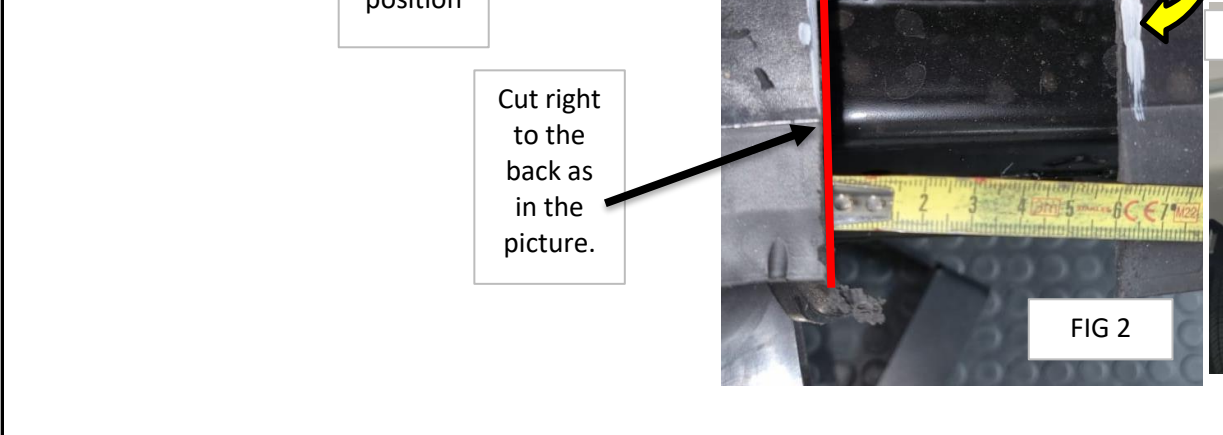

### Precautions during fitment:

Do not cause any damage to the vehicle. Apply masking Tape to the front bumper prevent any scratches. Requires 2 people to fit. Ensure that you are wearing the appropriate PPE during Fitment.

### Directions for use:

Read all instructions carefully before installation

## Fitment Instruction: Ranger Bushbar

Visual / Graphic Illustration	Step #	Description/Method
 <p>FIG 1</p> <p>370mm</p> <p>Centre position</p>	<p>1</p>	<p>Remove Bumper. If you are fitting a vehicle with 1 toweye then you will need to trim the bumper as shown in FigA</p>
 <p>60mm</p> <p>Cut right to the back as in the picture.</p> <p>FIG 2</p>	<p>2</p>	<p>Find the centre of the air deflector, mark 370mm and make the 60mm cut as shown in FIG 1 and 2</p>
		 <p>FIG A</p> <p>Replicate cut out</p>

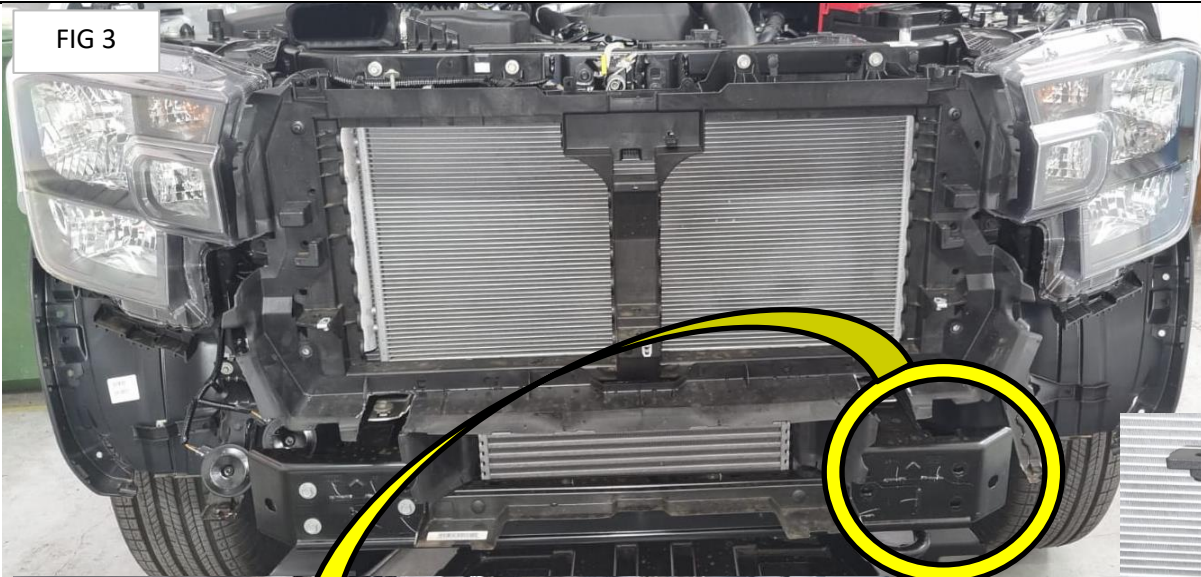
## Fitment Instruction: Ranger Bushbar

Visual / Graphic Illustration

Step #

Description/Method

FIG 3



3

Using the M8 Fasteners provided, securely mount bracket J to the slam track as shown in FIG 5. Repeat this step on the drivers side as well and then fit the bumper back on but do not fully secure the grill.

N+O+P

FIG 4



R

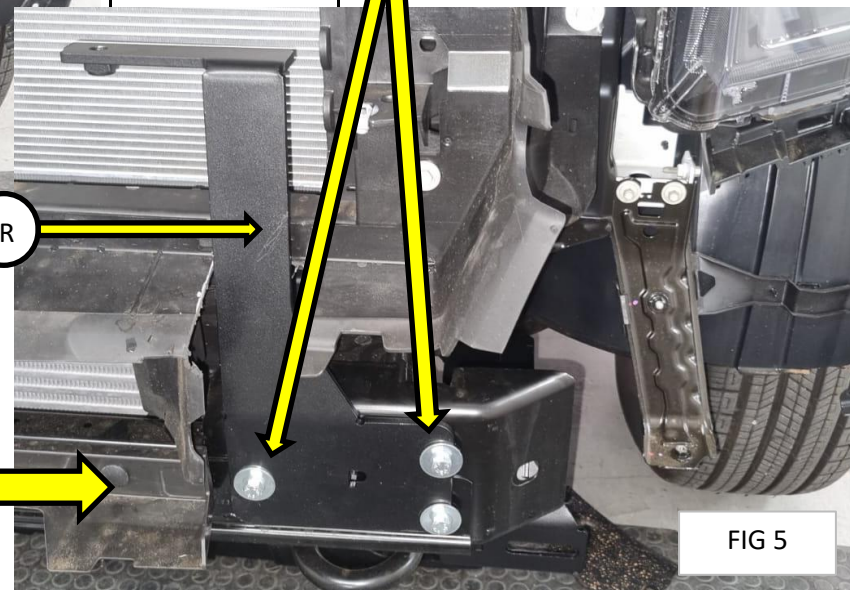


FIG 5

## Fitment Instruction: Ranger Bushbar

Visual / Graphic Illustration

Step #

Description/Method

FIG 6



4

As shown in Fig 6 , push the top bracket through the grill and loosely mount it to the main bracket using the M8 fasteners. Gently pull the grill forward just enough to get your hand and a socket through. Repeat on Drivers side.

**Trim mud cover as shown in Fig B and C and fit back to the bumper before you mount the bottom brackets**

FIG B

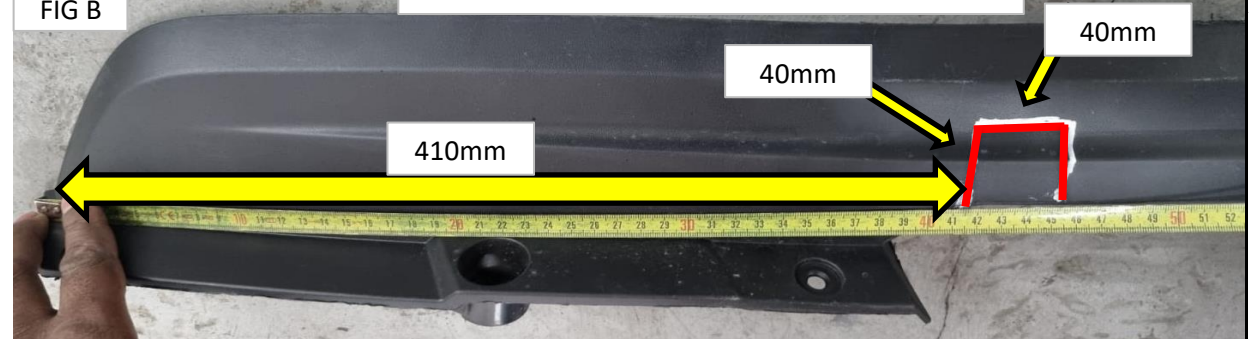


FIG C

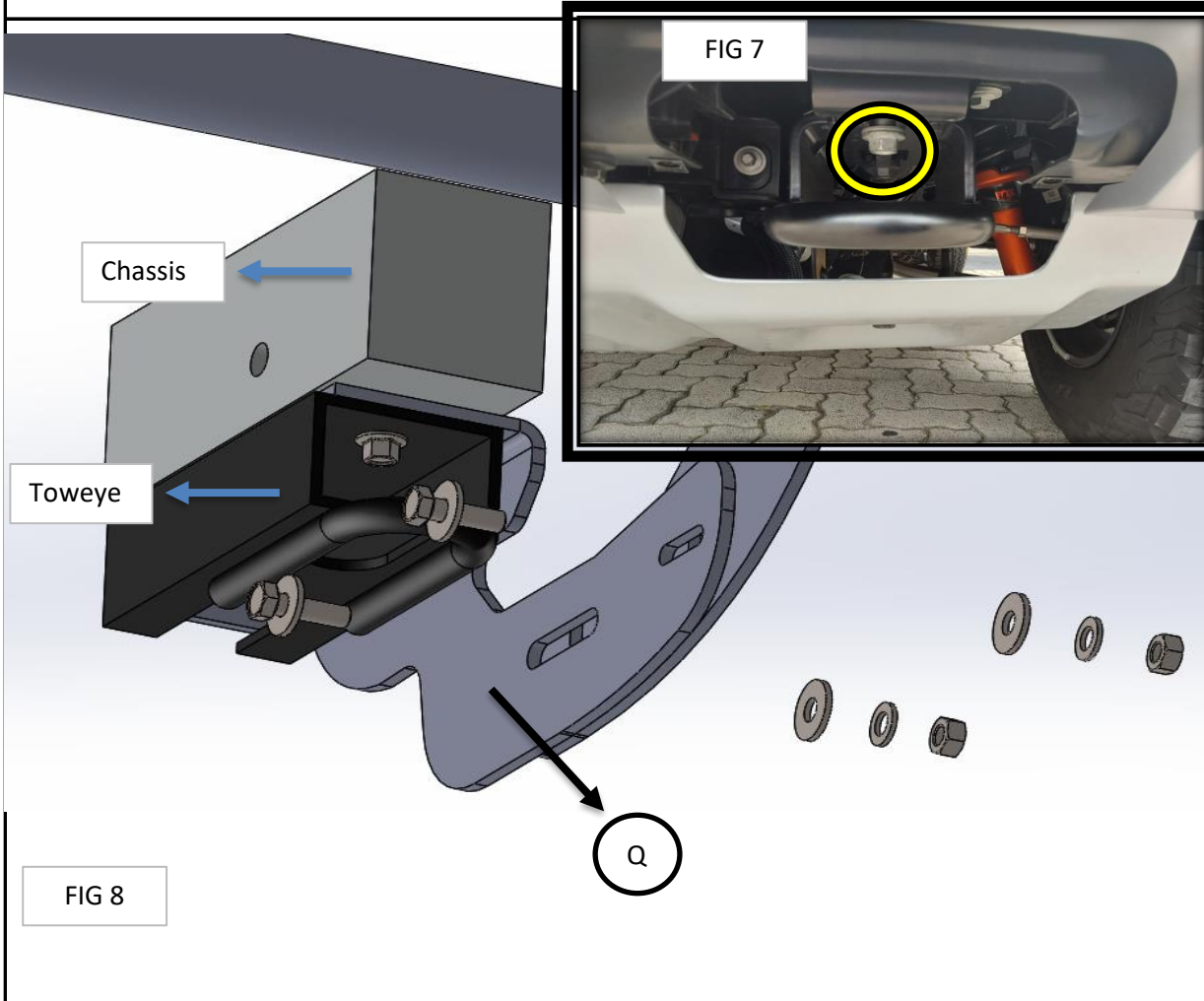


## Fitment Instruction: Ranger Bushbar

Visual / Graphic Illustration

Step #


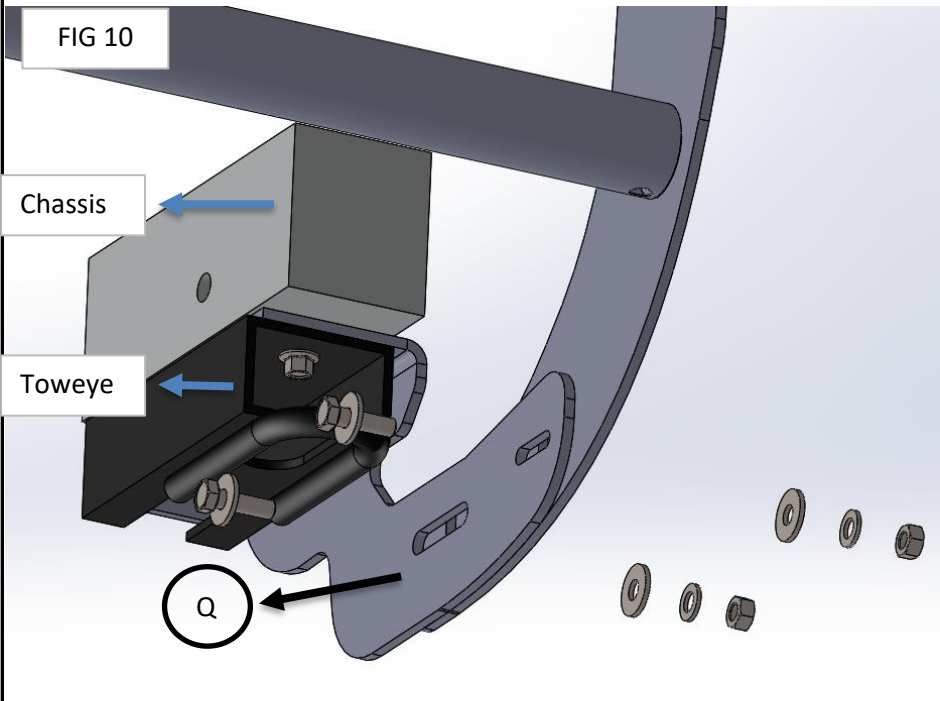
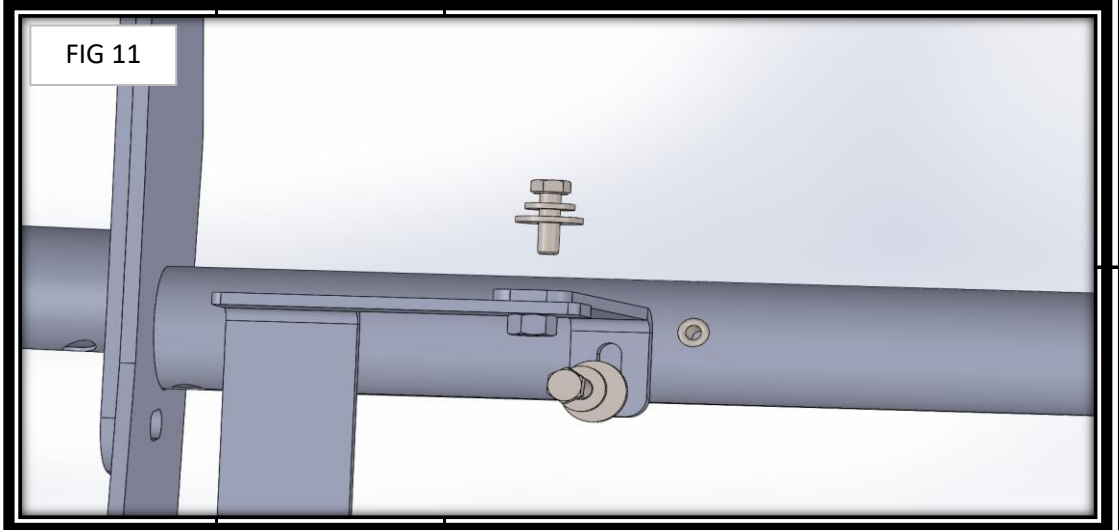
Description/Method



5

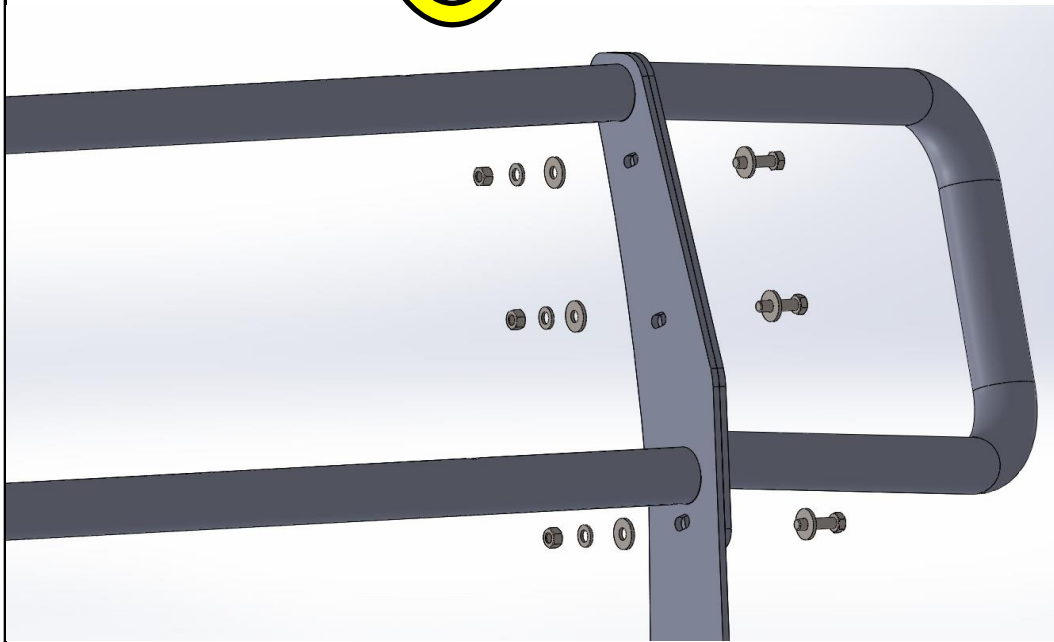
Loosen the bolts on the toweye (shown in Fig 7 highlighted with the ring). Do not remove it. Slide the main chassis bracket (G) in between the toweye and the chassis. Loosely tighten.

## Fitment Instruction: Ranger Bushbar

Visual / Graphic Illustration	Step #	Description/Method
 <p>FIG 9</p>	6	<p>Loosley mount the bottom of the bush bar using the M10 fastners provided.</p>
 <p>FIG 10</p> <p>Chassis</p> <p>Toweys</p> <p>Q</p>	7	 <p>FIG 11</p> <p>Loosley mount the top bracket(S) to the bushbar mounting point located on the middle cross bar of the Bushbar as shown in Fig 10</p>

## Fitment Instruction: Ranger Bushbar

Visual / Graphic Illustration



Step #

Description/Method

8

Using the M10 fastners loosley mount the wing to the side of the bush bar.

9

Repeat step 8 on the drivers side.

Make sure bar is centralised and tighten all fasteners to specified torque. M8= 22Nm , M10= 42Nm , M6= 9Nm, M12=73Nm.



Have the black caps fitted to the M8 and M10 bolt heads to complete the fitment

**Please note that this bar is not PDC Friendly.**