

ACCESSORY FITMENT

Product

Sports Bar - Standard Sports Bar Long Leg (Black & Stainless Steel) (Double Cab)

Part no.

150053 TN : 484



60
Minutes

Models : DCAB

Page 1 of 13

Date :10/10/2023

DIAGRAM



Kit content:

	Qty	Description		Qty	Description
A	4	M8x40mm Set screws	P	2	Rear Bracket (P+D)
B	8	M8x30mm Set screw	Q	2	M8 spreader plates
C	4	M6x25 Counter Sunk	R	4	tube spacers
D	6	M8x30x2.5mm Flast Washer	S	2	12 mm Spacers
E	2	M8x20mmx2.5mm Flat washer	T	2	16mm Spacers
F	12	M8 Spring washer	U	2	Securi Lid Brackets
G	6	M8 Plastic Caps	V	4	M8 x 20 Set Screws (ss)
H	4	M8 x 90 Set screws	W	4	M8 x 22 x 1.6 flat washers (ss)
I	4	M8 x 20 x 2.5 flat washers	X	4	M8 Spring washers (ss)
J	4	M8 Spring washers	Y	4	M8 Rexroth Bosch T-nuts
K	4	Joining Rubbers			
L	6	Grommets			
M	4	Front Base rubbers			
N	4	Rear base rubbers			
O	4	Front bracket (P+D)			

Additional equipment/Material needed for fitment :

Qty		Spanner Set + extension			Screwdriver set
		Torque wrench			Stanley knife
		Measuring Tape			Allen Key set

Precautions during fitment:

Ensure you have an adequate working space. Requires two people for fitment. Ensure that the correct tools are used with installation. Read through the fitting instructions carefully before installation.

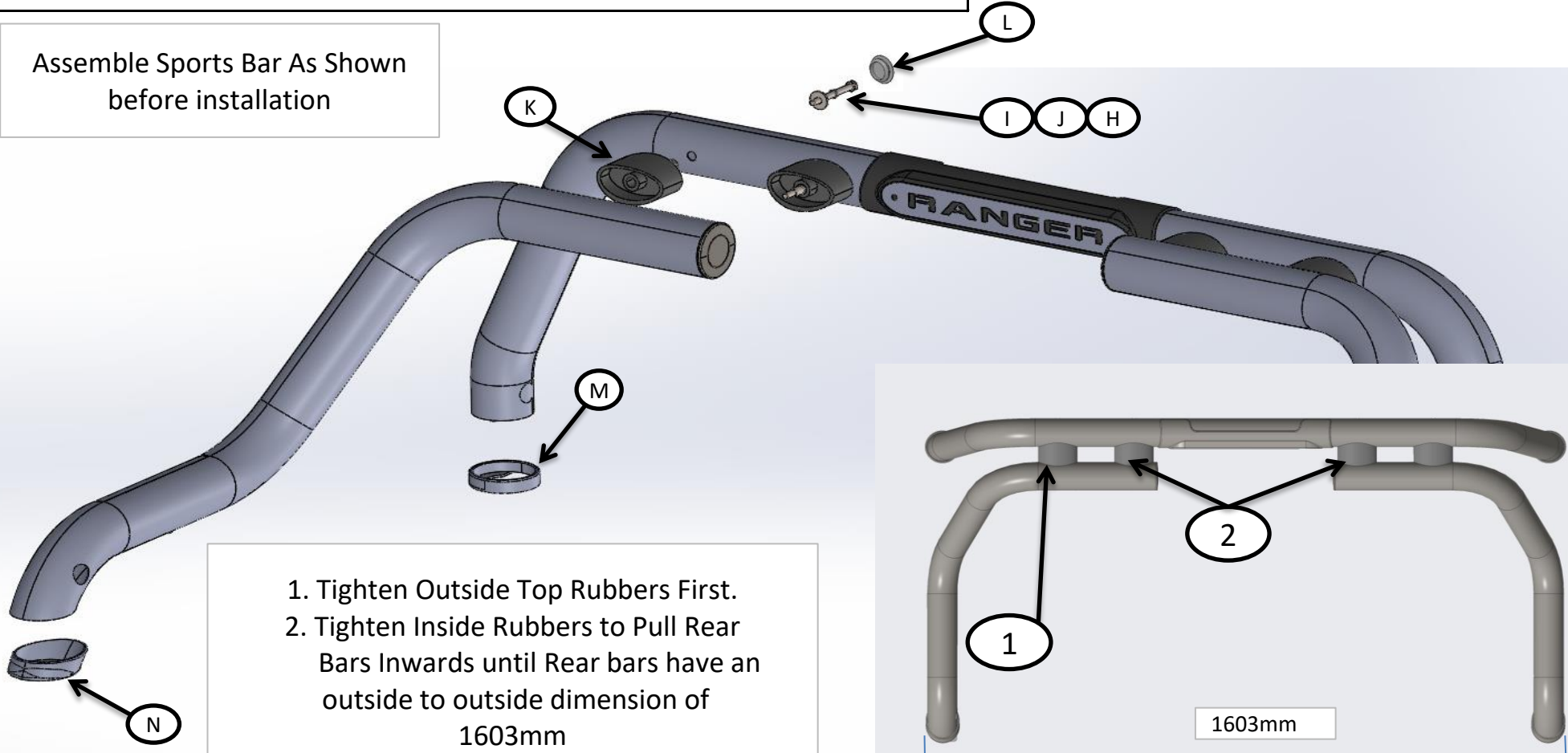
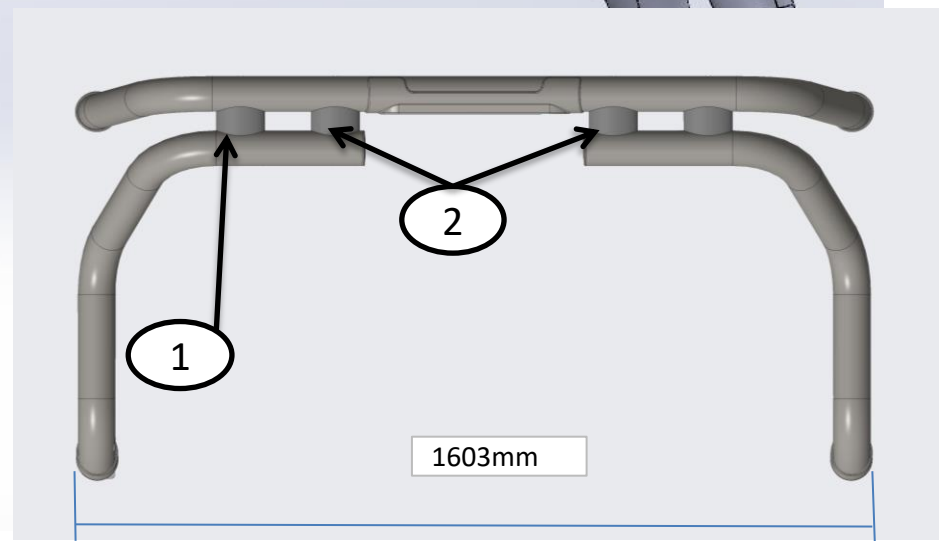
Fig A




Securi lid
brackets x 2

NB: If fitting a Securi lid please refer to pages 10 -12 and ignore pages 4,7 and 8. If it is a standard fitment then ignore pages 10-12 and issue the Securi lid brackets shown in Fig A to the customer for future use.

Fitment Instruction: Ranger Sports Bar

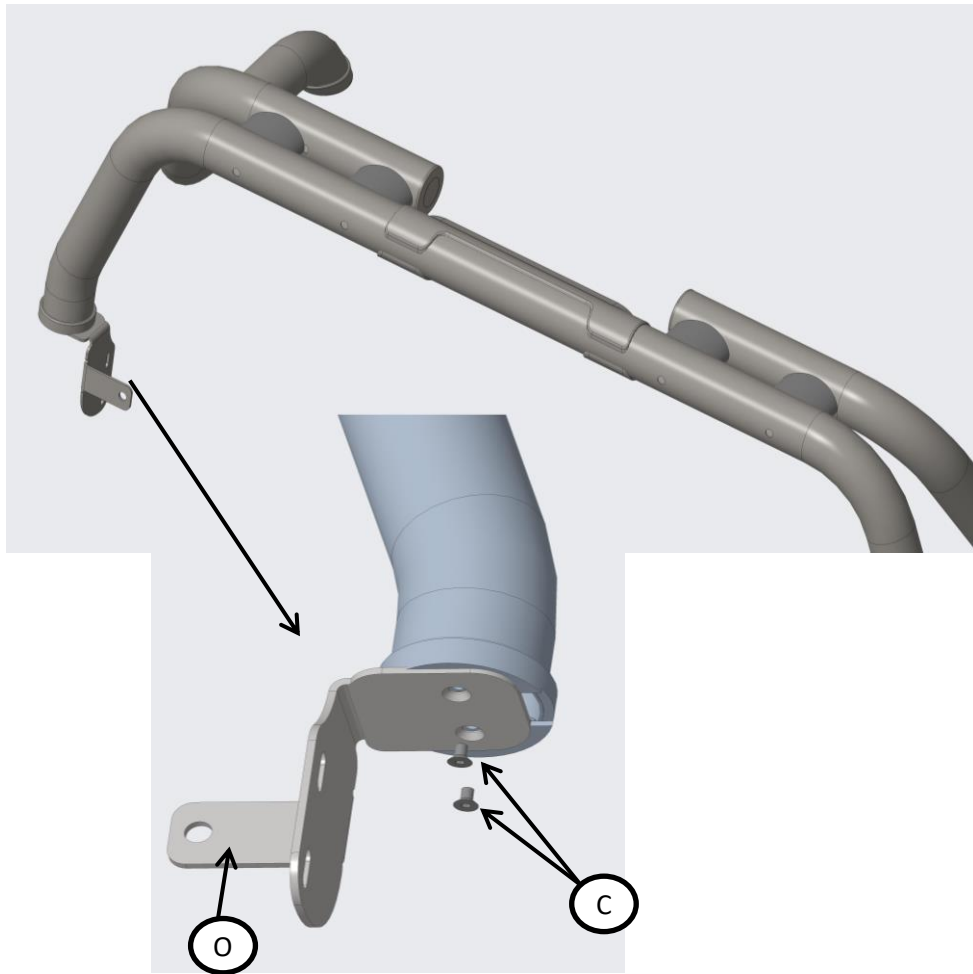
Visual / Graphic Illustration	Step #	Description/Method
<div style="border: 1px solid black; padding: 5px; margin-bottom: 10px;"> Assemble Sports Bar As Shown before installation </div>  <div style="border: 1px solid black; padding: 5px; margin-top: 10px;"> <ol style="list-style-type: none"> 1. Tighten Outside Top Rubbers First. 2. Tighten Inside Rubbers to Pull Rear Bars Inwards until Rear bars have an outside to outside dimension of 1603mm </div>	1	<div style="border: 1px solid black; padding: 5px; margin-bottom: 10px;"> 1. Tighten Outside Top Rubbers First. 2. Tighten Inside Rubbers to Pull Rear Bars Inwards until Rear bars have an outside to outside dimension of 1603mm </div> 

Fitment Instruction: Ranger Sports Bar

Visual / Graphic Illustration	Step #	Description/Method
<p data-bbox="280 539 1010 707">Rear bars to Be Level with Front Bar before Tightening Fully</p>  <p data-bbox="510 1171 900 1254">Rear View</p>		

Fitment Instruction: Ranger Sports Bar

Visual / Graphic Illustration



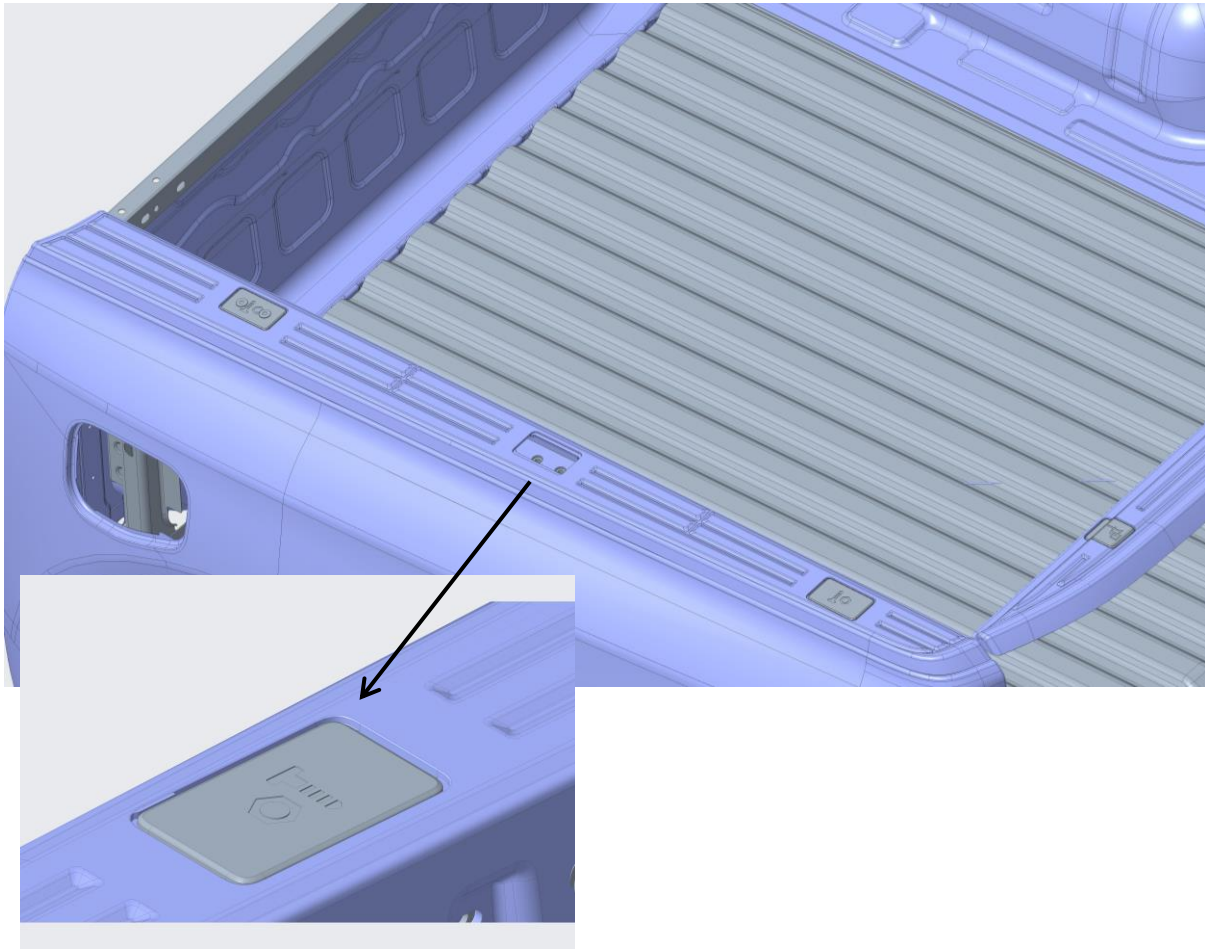
Step #

Description/Method

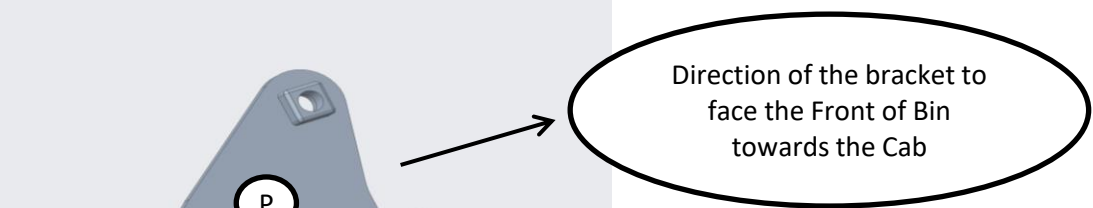
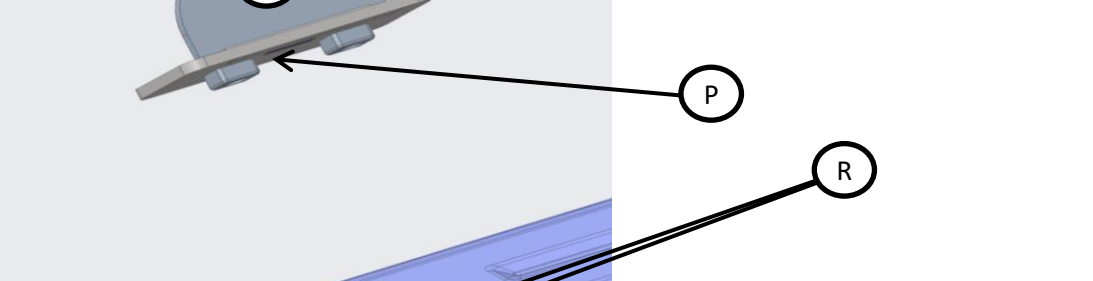
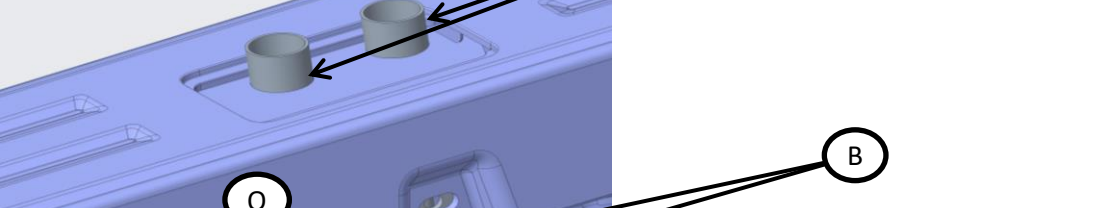
1

Securely mount the front brackets onto the bar using the fasteners provided.

Fitment Instruction: Ranger Sports Bar

Visual / Graphic Illustration	Step #	Description/Method
	2	Gently remove the middle plastic cap to reveal to mounting holes underneath

Fitment Instruction: Ranger Sports Bar

Visual / Graphic Illustration	Step #	Description/Method
	3	Place the tube spacers over the holes and then place the rear bracket over the spacers.
	4	Using the M8 fasteners and the spreader plate provided secure the rear bracket from below as shown in the image.
	NB	Bracket P must point towards the front of the Vehicle. Note that brackets will be marked with a P and D to help differentiate which side it will fit on.

Fitment Instruction: Ranger Sports Bar

Visual / Graphic Illustration

Step #

Description/Method

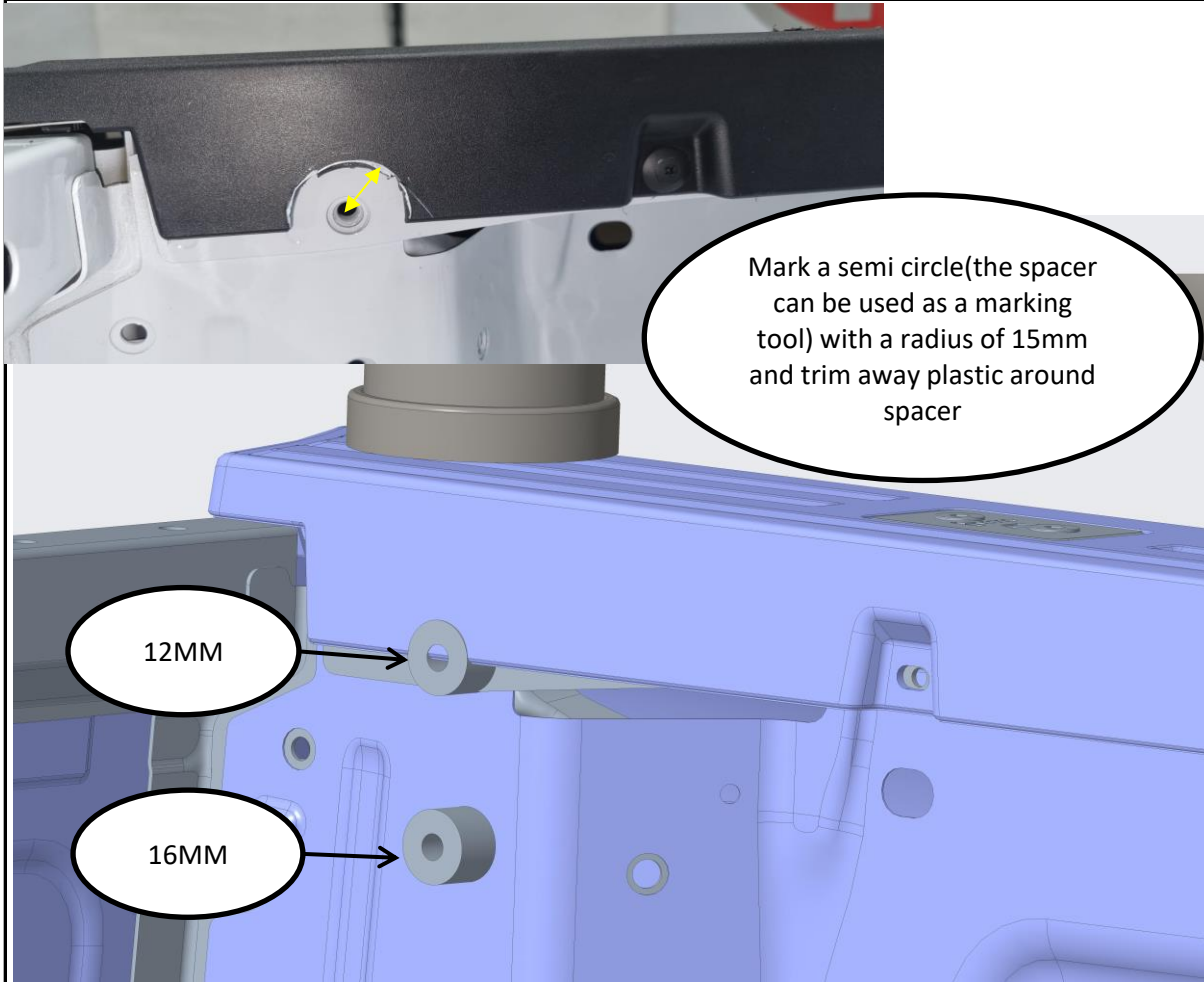
5

Using the 12 mm and 16 mm spacers provided, you can now mount the front bracket. Begin by making a slight trim around the 12mm spacer using a stanely knife. Once you are done the spacer should fit flush.

Mark a semi circle (the spacer can be used as a marking tool) with a radius of 15mm and trim away plastic around spacer

12MM

16MM

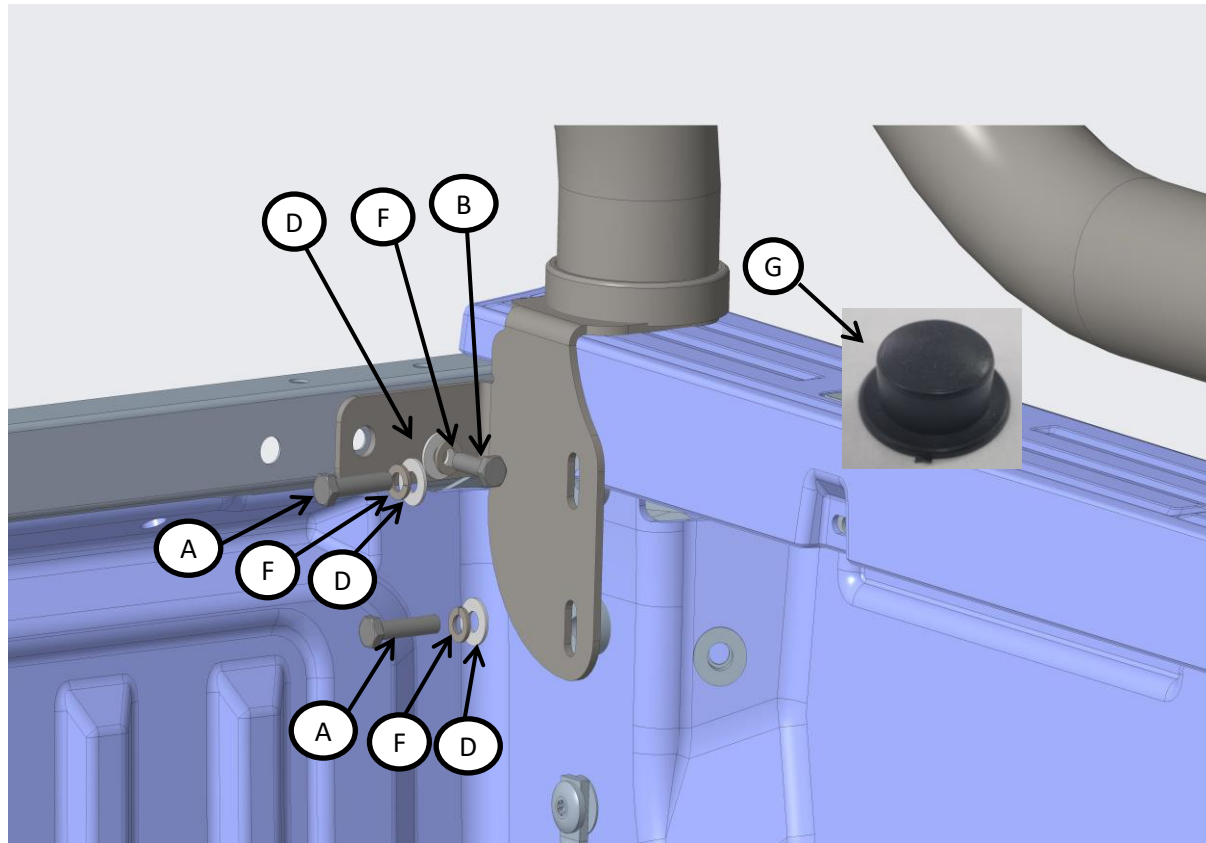


Fitment Instruction: Ranger Sports Bar

Visual / Graphic Illustration

Step #

Description/Method



6

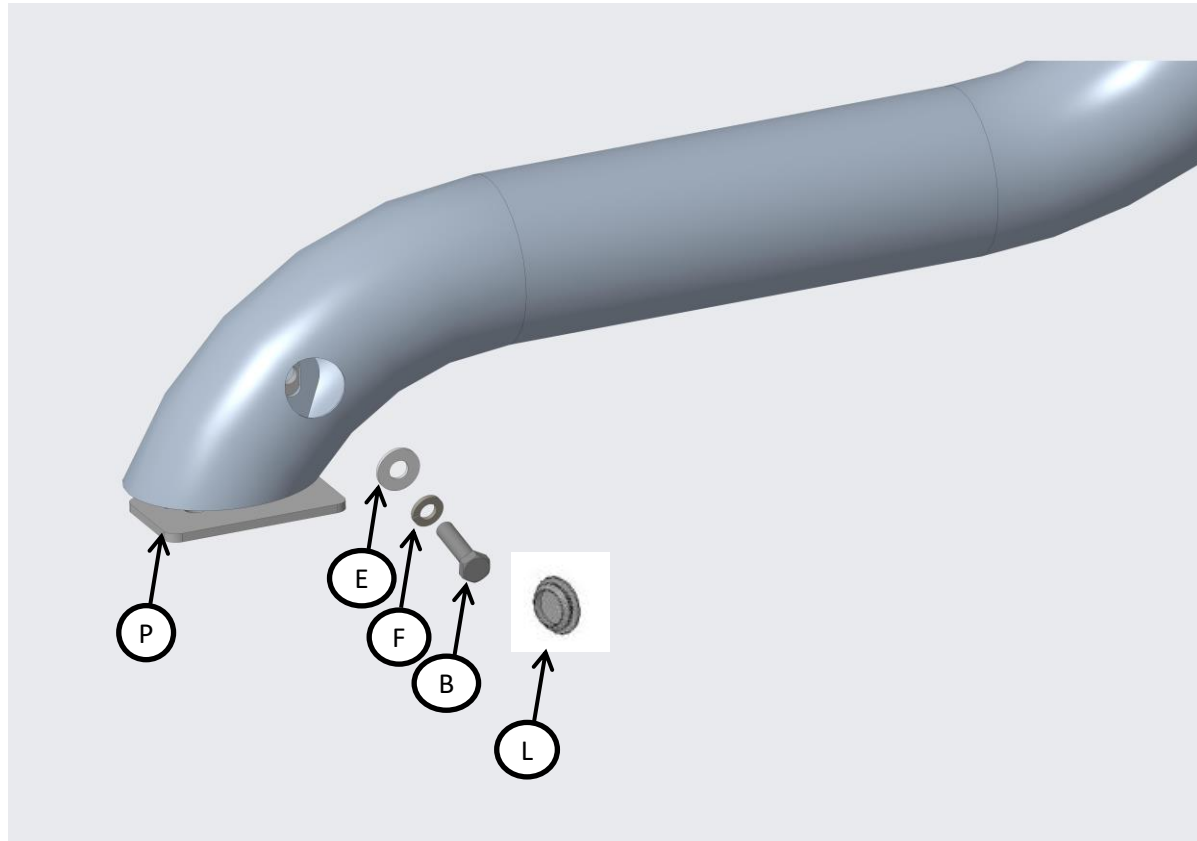
Using the M8 fasteners provided, loosely mount the bracket in place.

7

There are black plastic caps(G) provided which need to be fitted to the bolt heads after the fitment has been completed.

Fitment Instruction: Ranger Sports Bar

Visual / Graphic Illustration



Step #

Description/Method

8

Mount the rear leg onto the rear bracket using the M8 fastners, use the grommet to close off the hole once you have secured the bar at the end.

NB

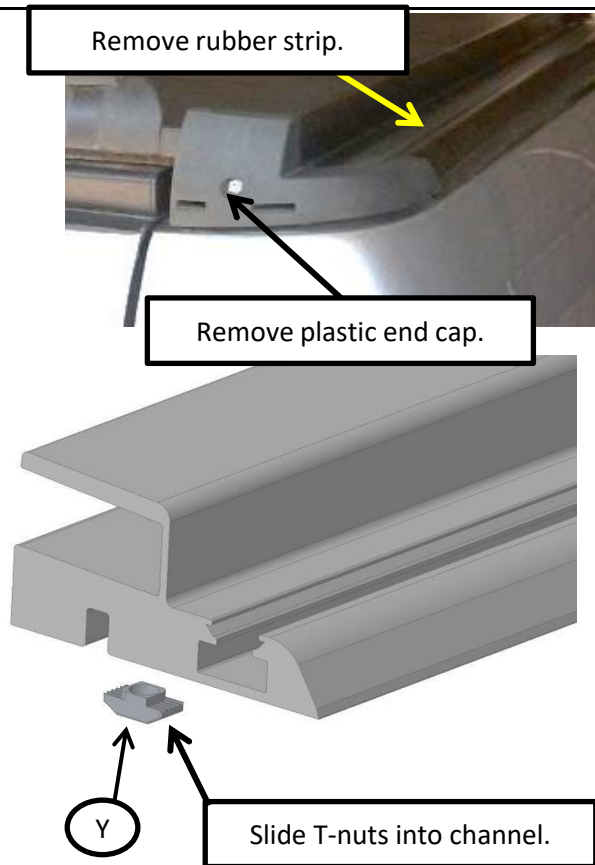
Care should be taken when lining up the rear leg (leg closest to the tailgate) to the mounting bracket. The bar must be completely flush before attempting to line up the mounting bolt. Should this be done incorrectly, you will not be able to adjust the bar once the mounting bolt is threaded.

Fitment Instruction: Ranger Sports Bar and Securi-Lid Roller Shutter

Visual / Graphic Illustration

Step #

Description/Method



9

SECURI LID FITMENT

10

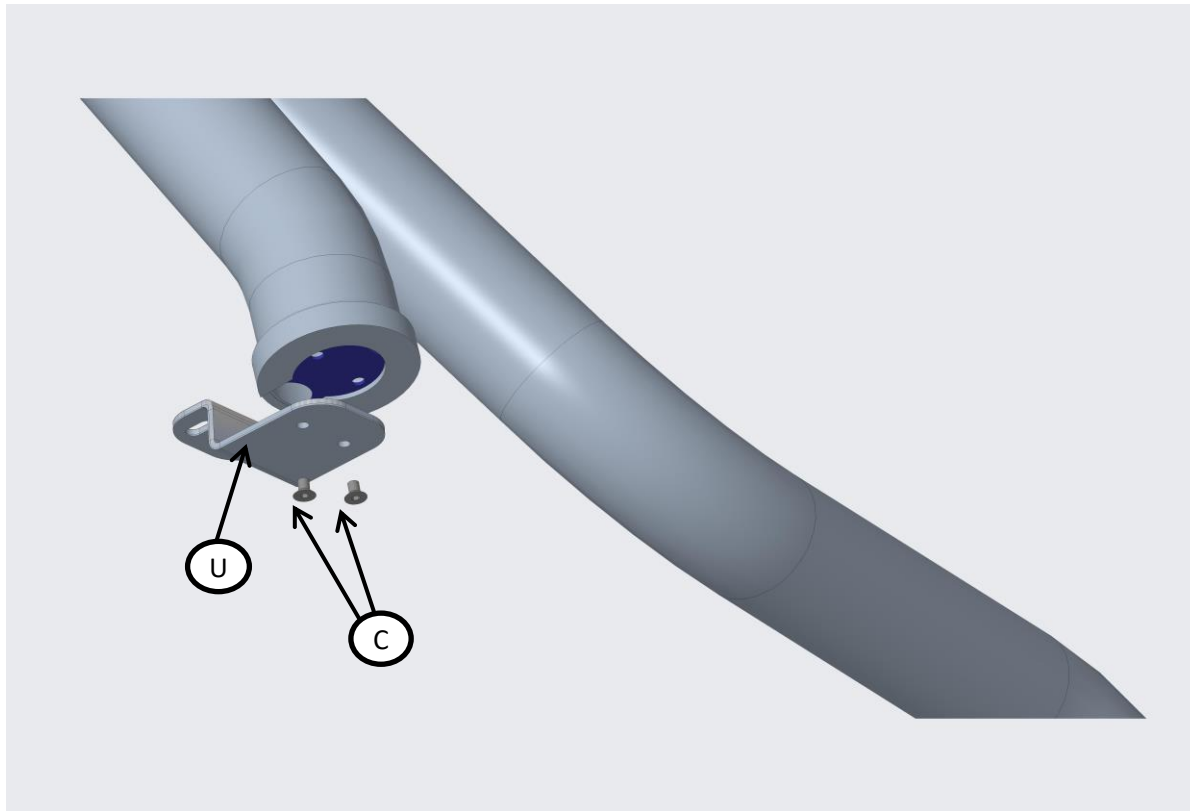
Remove rubber and slide the m8 Rexroth nut into the slot.

NB : Securi-Lid draining system must be removed in order to fit rear bracket(P)
Remove the rear mounting bracket (closest to the tailgate) by removing the 3 bolts and spacers. Carefully pull back the draining system to pull the drain pipe out of the bin. Avoid excessive force on plastic parts. Drop down the draining system just enough to gain access to the mounting area for the rear bracket (P). Contact Securi Lid for any added information with removal of drainage system.
041 484 3140

Fitment Instruction:

Ranger Sports Bar and Securi-Lid Roller Shutter

Visual / Graphic Illustration



Step #

Description/Method

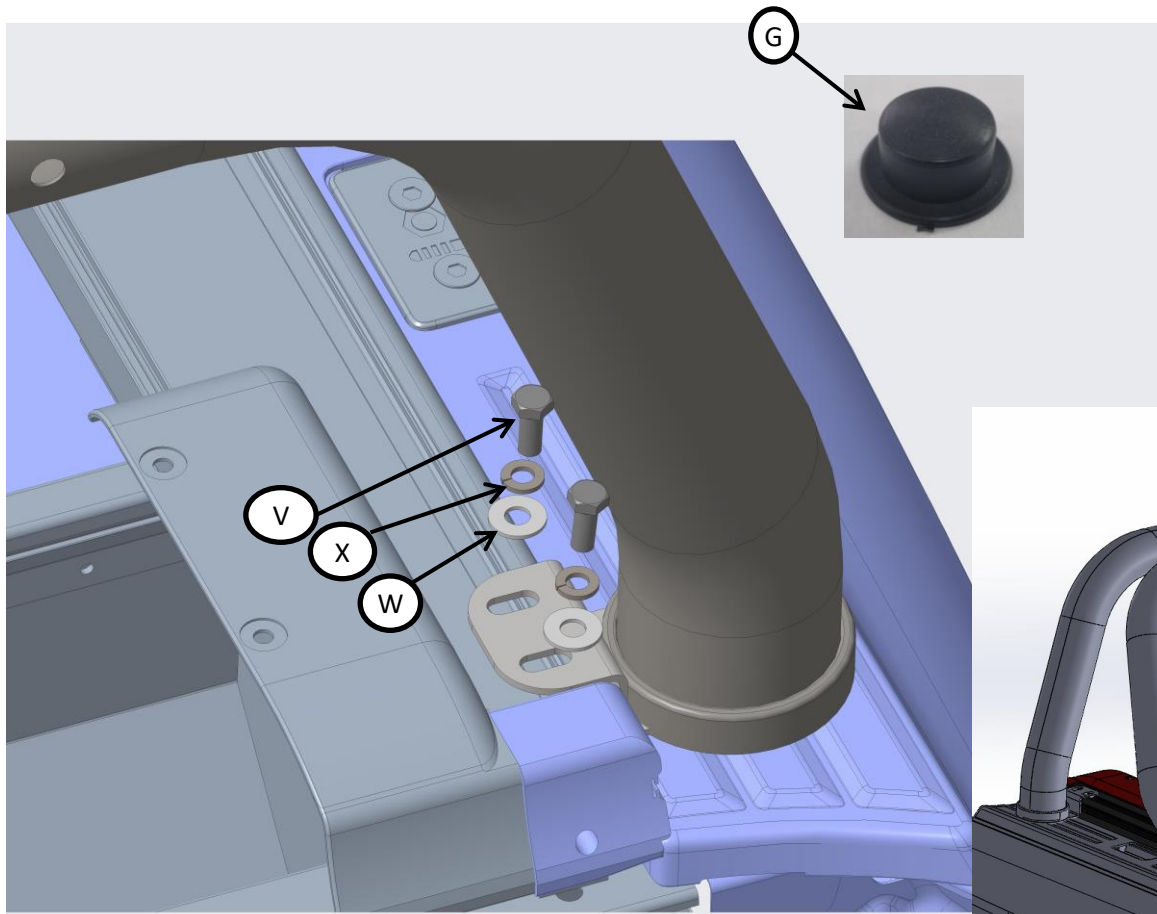
11

Securely mount the Securi lid bracket as shown in the image using the M6 counter sunk fastners

Fitment Instruction:

Ranger Sports Bar and Securi-Lid Roller Shutter

Visual / Graphic Illustration



Step #

Description/Method

12

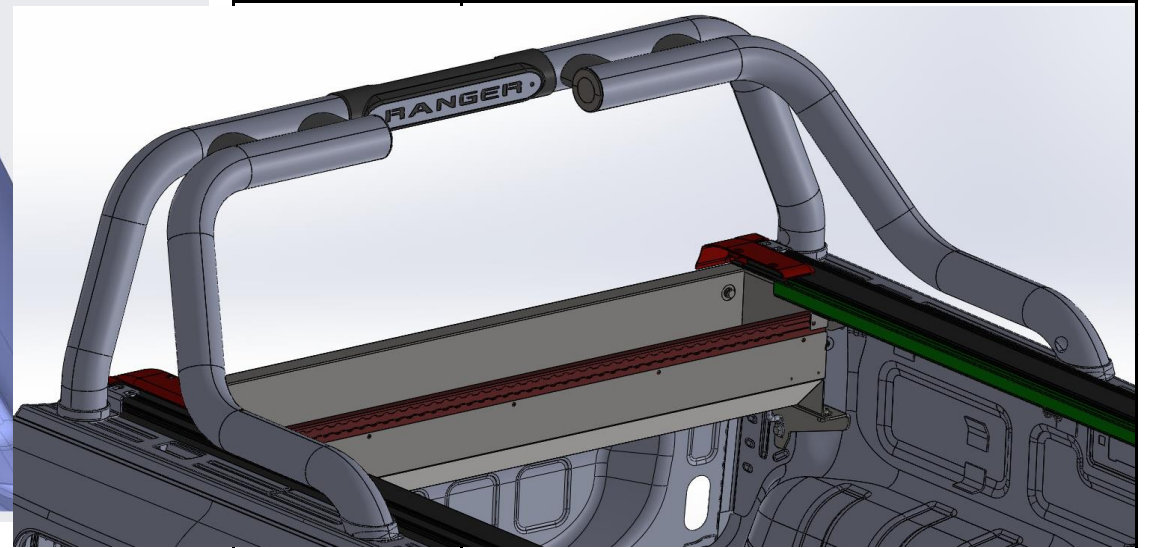
Mount the front bracket to the rail as shown.

13

Follow steps 2, 3, 4 and 8 to complete the fitment of the rear bar.

14

Use the Black caps at the end of the fitment to cover the M8 bolt heads.



Make sure bar is centralised and tighten all fasteners to specified torque. M8= 22Nm , M10= 42Nm , M6= 9Nm.

