

ACCESSORY FITMENT INSTRUCTION

Product

JAC T9 Nudge Bar PDC

Part no.



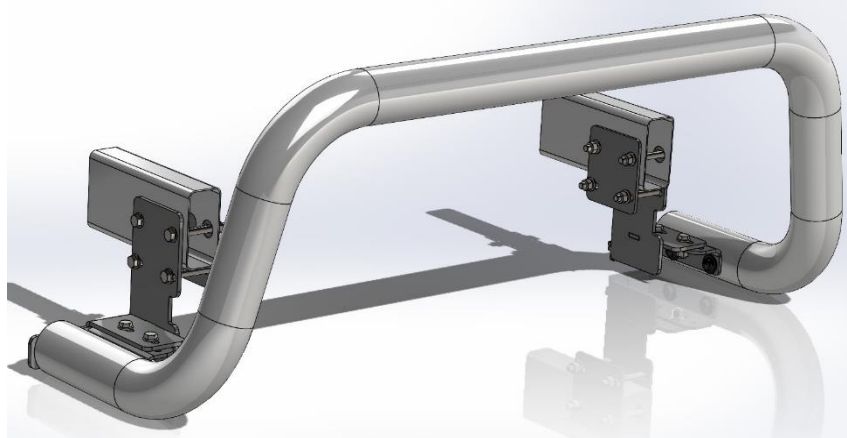
60
Minutes

Models : T9

Page 1 of 6

Date : 31-08-2023

DIAGRAM



Kit content:

	Qty	Description		Qty	Description
A	8	M10 x 90 Set Screws	H	4	M8 Spring washers
B	6	M10 x 30 Set Screws	I	4	M8 Plastic Nut Caps
C	26	M10 x 30 x 2 Flat Washers	J	2	DS & PS Main Brackets
D	14	M10 Spring Washers	K	2	Chassis Plate
E	12	M10 Hex Nuts	L	2	DS & PS Bottom Join Brackets
F	4	M8 x 30 Set Screws	M	1	JAC T9 PDC Nudge Bar
G	4	M8 x 22 x 1.6 Flat Washers			

Additional equipment/Material needed for fitment :

	Socket set
	Small Flat Screwdriver
	Jig saw

Precautions during fitment:

Avoid Scratching and damaging Nudge bar when removing packaging and fitting

Directions for use:

Follow Fitting instructions to ensure correct fitment!!

Fitment Instruction:
JAC T9 Nudge Bar

Visual / Graphic Illustration

Step #

Description/Method

FIG 1



FIG 1a

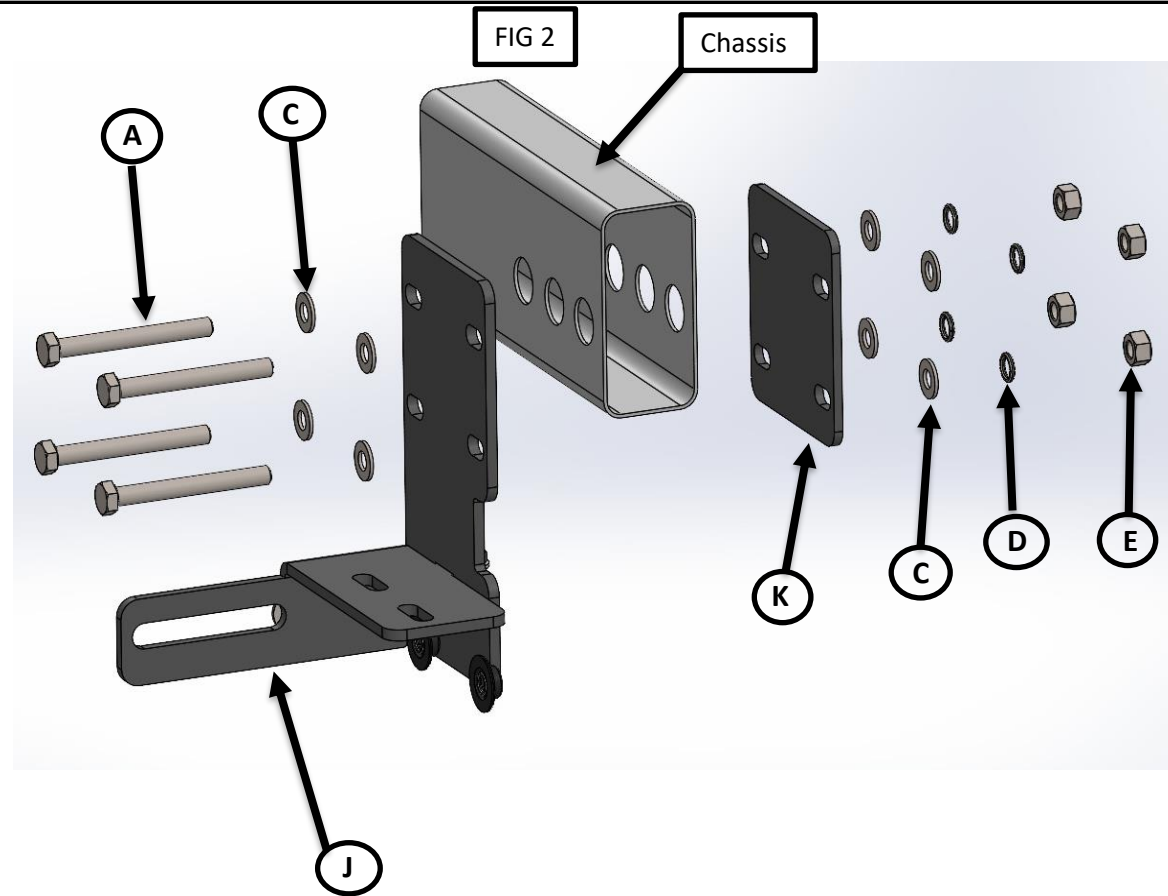
**1**

Remove and trim Bottom Dust Covers as shown in
Fig 1 & 1a

Fitment Instruction:

JAC T9 Nudge Bar

Visual / Graphic Illustration



Step #

Description/Method

3

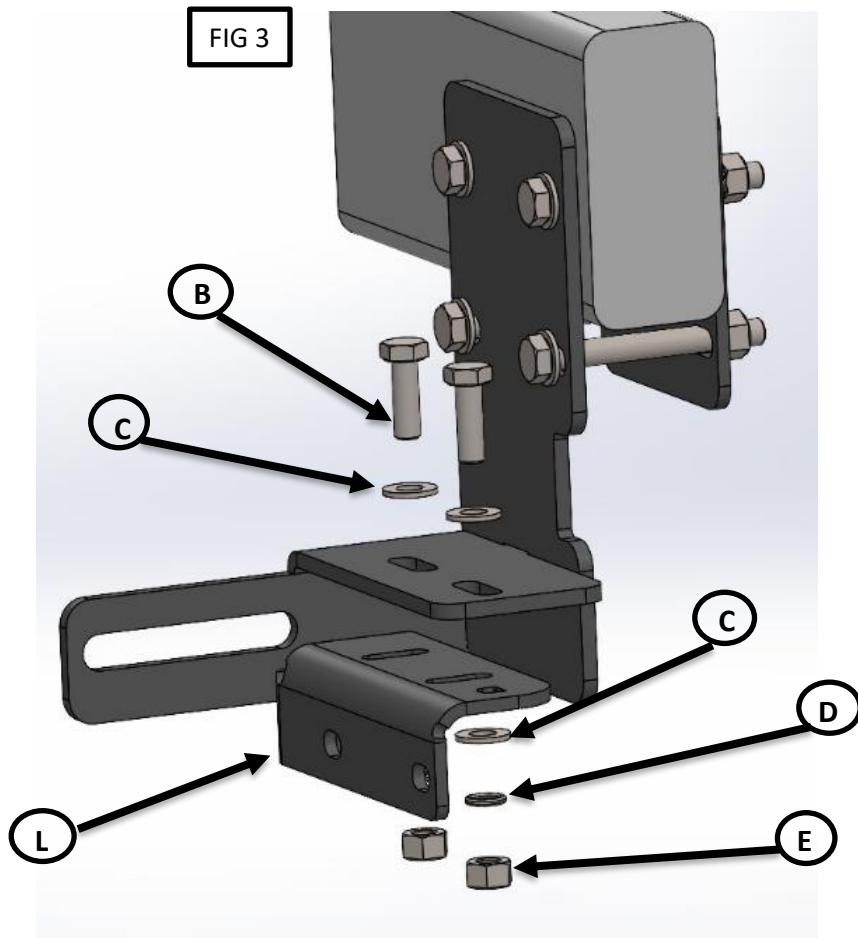
Mount the Main Brackets as shown in Fig 2. Driver Side shown. Passenger side is Opposite . NOTE: There are 3 Holes in the Chassis , use the 2 outside holes for mounting by pushing the M10 bolts through the brackets and chassis.

Fitment Instruction: JAC T9 Nudge Bar

Visual / Graphic Illustration

Step #

Description/Method



4

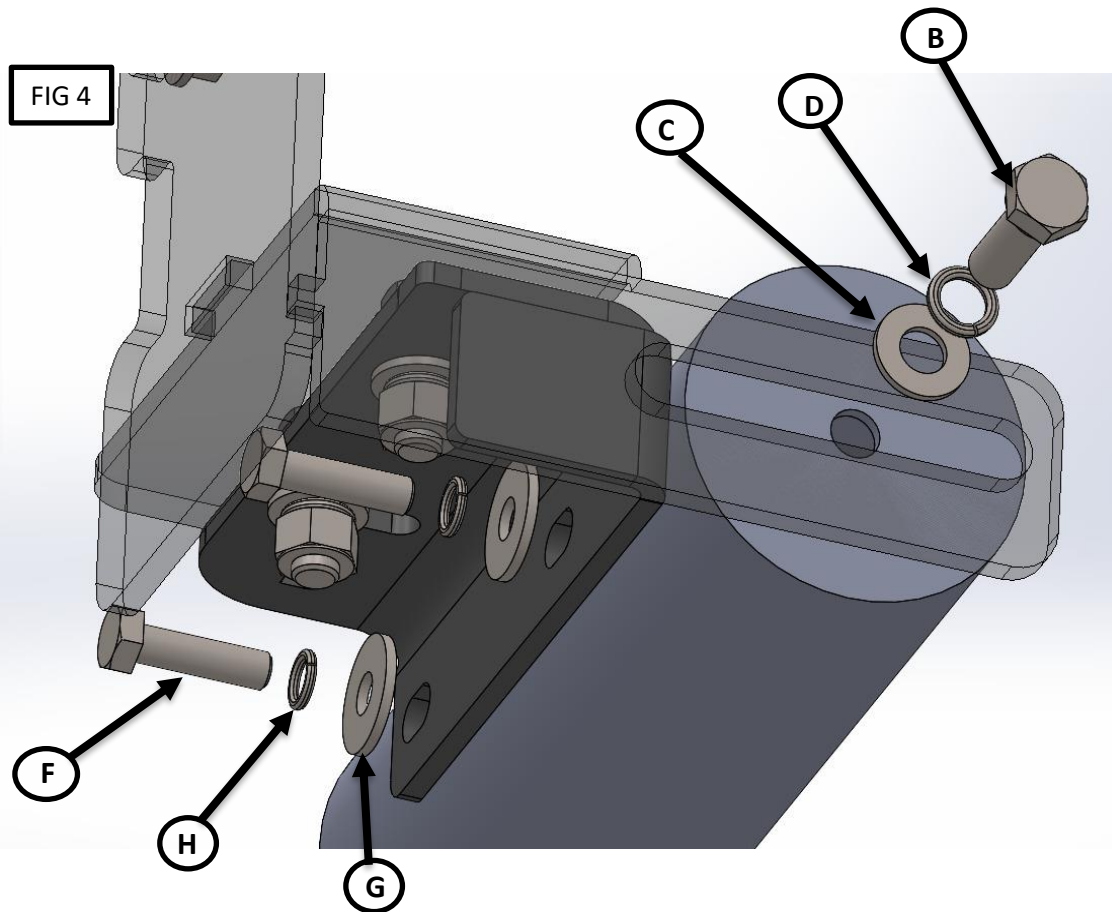
Now Mount the Bottom Join Brackets as Shown in Fig 3. **Do not tighten Fully**

Fitment Instruction: JAC T9 Nudge Bar

Visual / Graphic Illustration

Step #

Description/Method



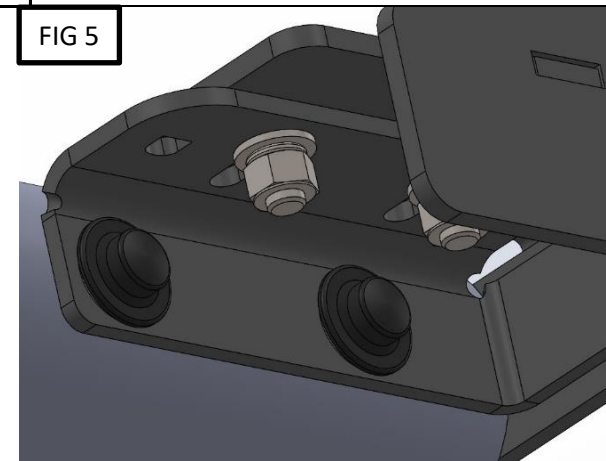
5

Now Mount the Nudge Bar as shown in Fig4

6

Once Tightend fully , place the 4 Nut caps over the M8 Bolts as shown in Fig5 below.

FIG 5



Make sure bar is centralised and tighten all fasteners to specified torque. M8= 22Nm , M10= 42Nm , M6= 9Nm.

