

ACCESSORY FITMENT

Product

Ranger Single Cab Next Gen side steps

Part no.

(150057) TN:500



60
Minutes

Models : All

Page 1 of 6

Date :21/02/2024

DIAGRAM



Kit content:

	Qty	Description		Qty	Description
A	4	M10 X 130 Bolts	H	12	M8 HEX NUTS
B	12	M10 HEX NUTS	I	4	M10 X 30 SET SCREWS
C	20	M10 X 30 X 3 FLAT WASHERS	J	2	M10 x 110mm T-NUTS
D	14	M10 SPRING WASHERS	K	6	VELAMOID
E	12	M8 X 25 SET SCREWS	L	2	Front Chassis Bracket
F	24	M8 X 22 X 1.6 FLAT WASHERS	M	2	Front Support Bracket
G	12	M8 SPRING WASHERS	N	2	Middle Chassis Bracket
			O	2	Rear Chassis Brackets
			P	4	M12 x 78 x 3 Load Spreader washer
			Q	4	M10 x 60mm T - NUTS

Additional equipment/Material needed for fitment :

Qty			Qty	
2		13 spanners		
	2	17 spanner	1	Torque wrench
	1	ratchet		
	1	17mm socket		
	1	13mm socket		

Precautions during fitment:

Avoid scratching vehicle, ensure proper PPE is worn

Directions for use:

Read instructions before fitment

Fitment Instruction: RANGER SC SIDE STEP

Visual / Graphic Illustration

Step #

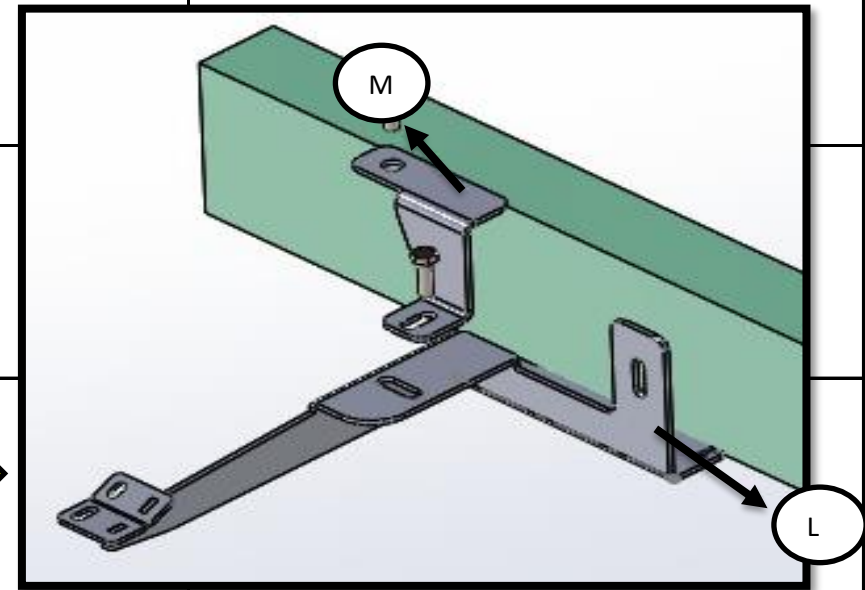
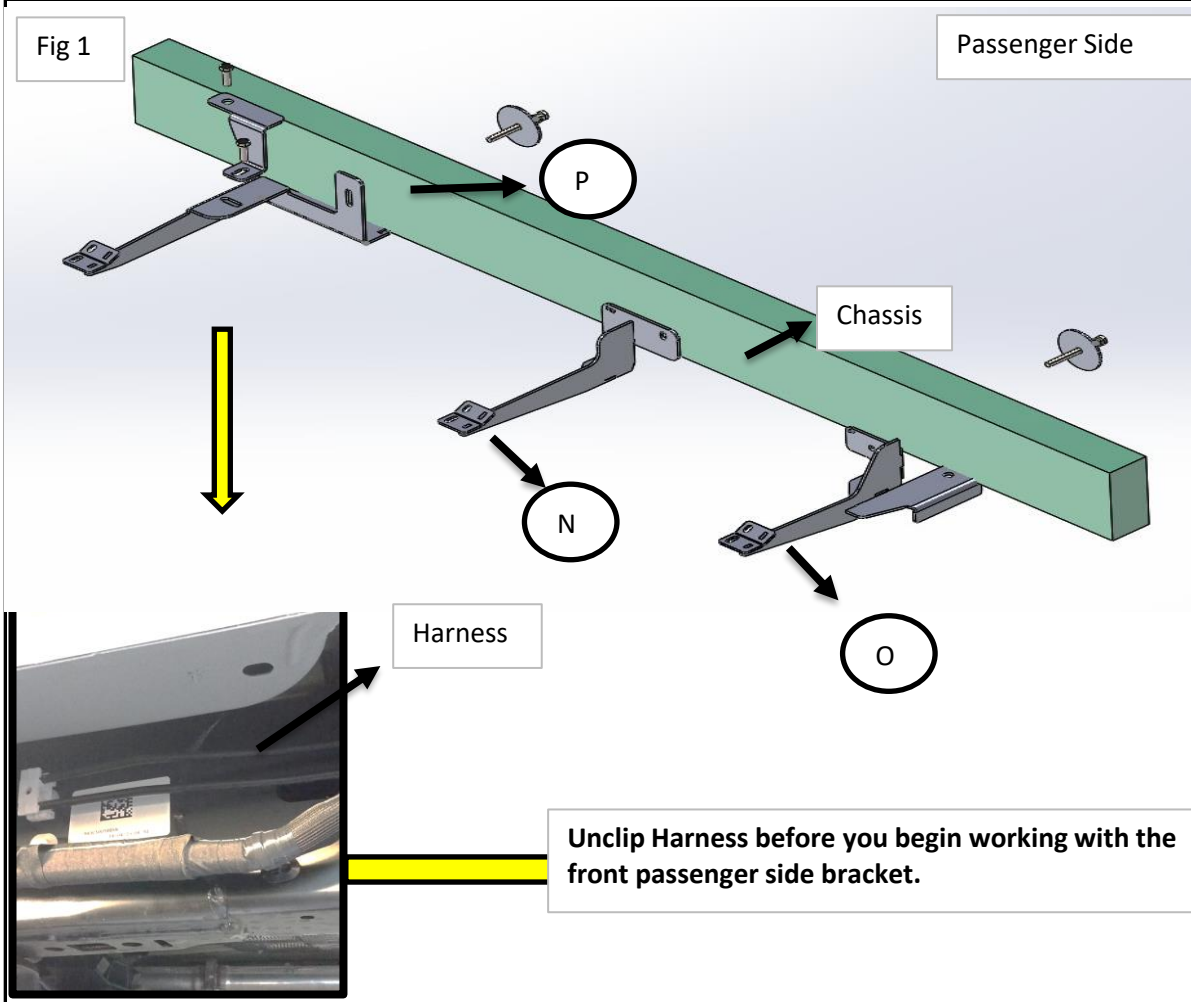
Description/Method

Fig 1

Passenger Side

NB

Please see Fig 1 for the bracket positions.


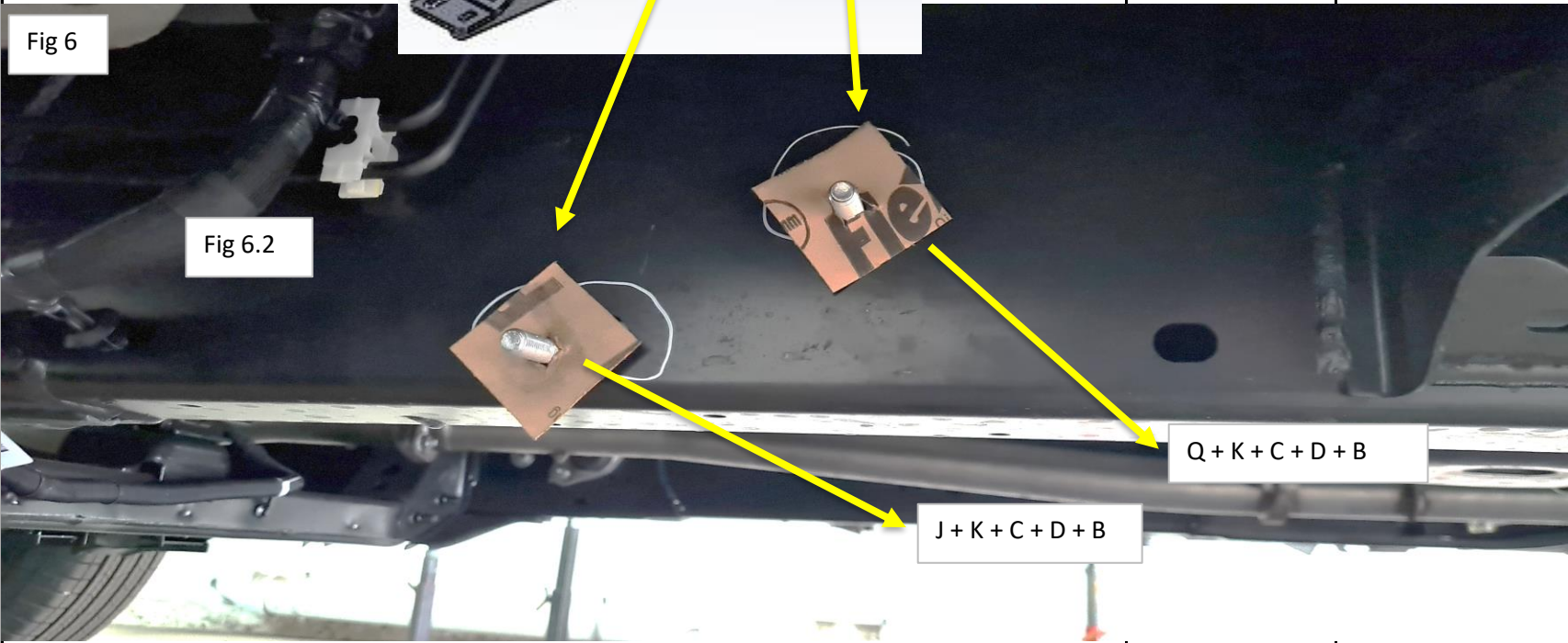


Unclip Harness before you begin working with the front passenger side bracket.

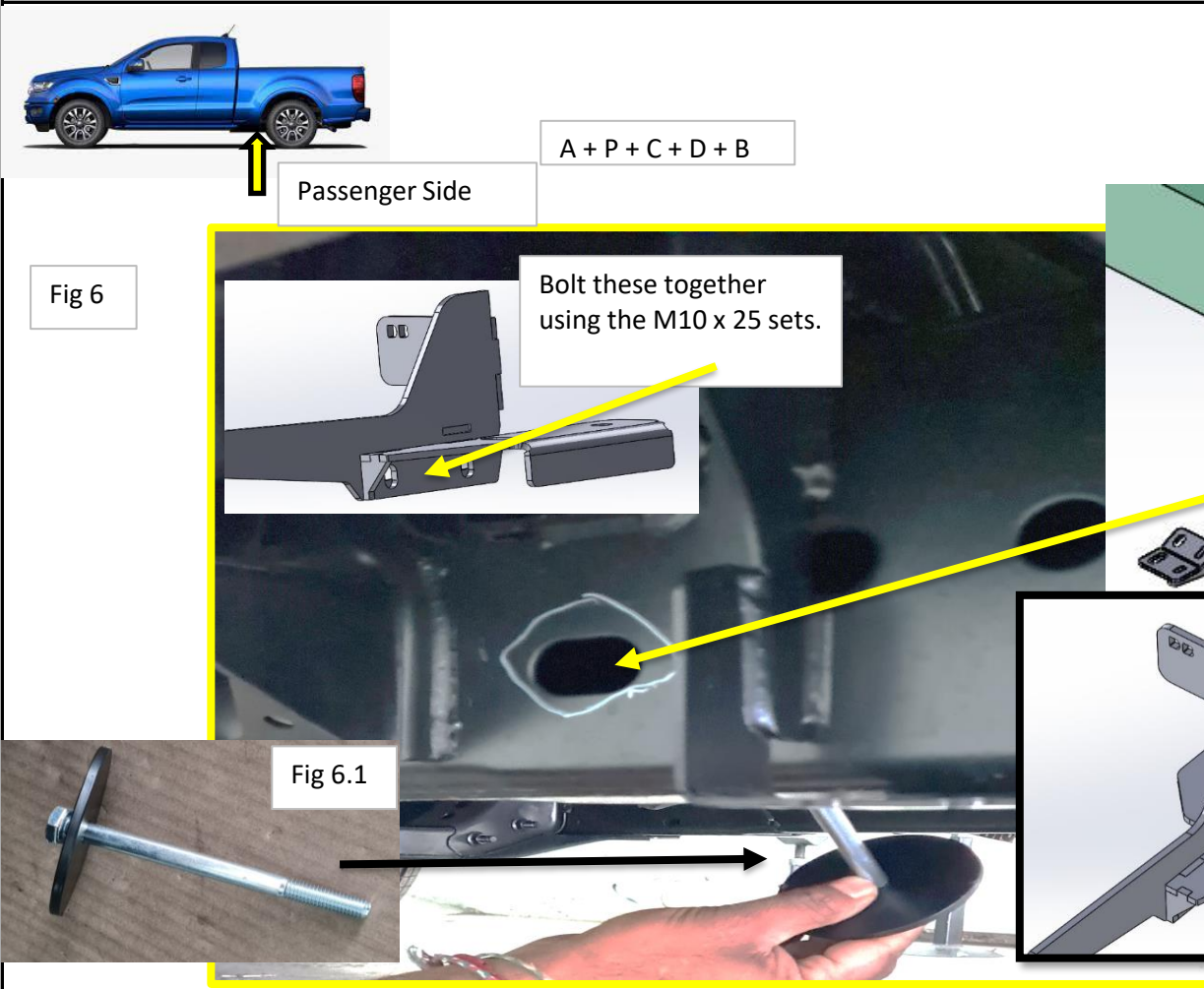
Fitment Instruction: RANGER SC SIDE STEP

Visual / Graphic Illustration	Step #	Description/Method
<p>Fig 2</p> <p>Passenger Side</p> <p>Fig 2.1</p> <p>A + P + C + D + B</p> <p>Fig 2.3</p> <p>I + D + C</p> <p>I + C + C + D + B</p> <p>Fig 3</p> <p>Fig 3.1</p> <p>Fig 4</p> <p>Fig 5</p> <p>Q + K</p>	<p>1</p>	<p>Loosely mount bracket M(Fig 3.1) to the body as shown in Fig 2 using the mounting location shown in Fig 3. Using the T-bolt and Velamoid in Fig 4 and 5 create an anchor point. Loosely mount bracket L to the bottom mounting. Using the M10 x 130mm bolt and load spreader washer shown in Fig 2.3 loosely attach the top of bracket L as shown by Fig 2. Lastly loosely join bracket L and M with the M10 fasteners provided. Ensure that the harness is secure once you are complete.</p>

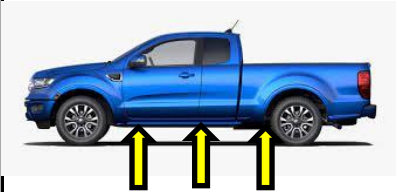

Fitment Instruction: RANGER SC SIDE STEP

Visual / Graphic Illustration	Step #	Description/Method
 <p style="text-align: center;">Passenger Side</p>	2	<p>Using the same method from Step 1, fit the M10 T-nuts into the chassis as shown in Fig 6, loosely mount bracket N as shown in Fig 6.2</p>
 <p>Fig 6.1</p> <p>Fig 6</p> <p>Fig 6.2</p> <p>J+K+C+D+B</p> <p>Q+K+C+D+B</p>		

Fitment Instruction: RANGER SC SIDE STEP

Visual / Graphic Illustration	Step #	Description/Method
	<p>3</p>	<p>Using the M10 x 130mm bolt(Fig 6.1) and Load spreader washer(Fig 6.1), loosly mount Bracket O to the rear of the chassis as shown in Fig 6. Repeat steps 1 to 3 on the drivers side.</p>

Fitment Instruction: RANGER SC SIDE STEP

Visual / Graphic Illustration	Step #	Description/Method
	4	Align the step to the 3 protruding brackets, using the M8 Fastners provided you can loosely attach the bar.
 <div style="text-align: center; margin-top: 10px;"> E + F + F + G + H </div>		

Final step

Page 6 of 5

Make sure bar is centralised and tighten all fasteners to specified torque. M8= 22Nm , M10= 42Nm , M6= 9Nm.

