

# ACCESSORY FITMENT

**Product**

Next Gen Ranger and Amarok Top support brackets

**Part no.**

(TSBK-150050/1) (Tracking No.: 487 )



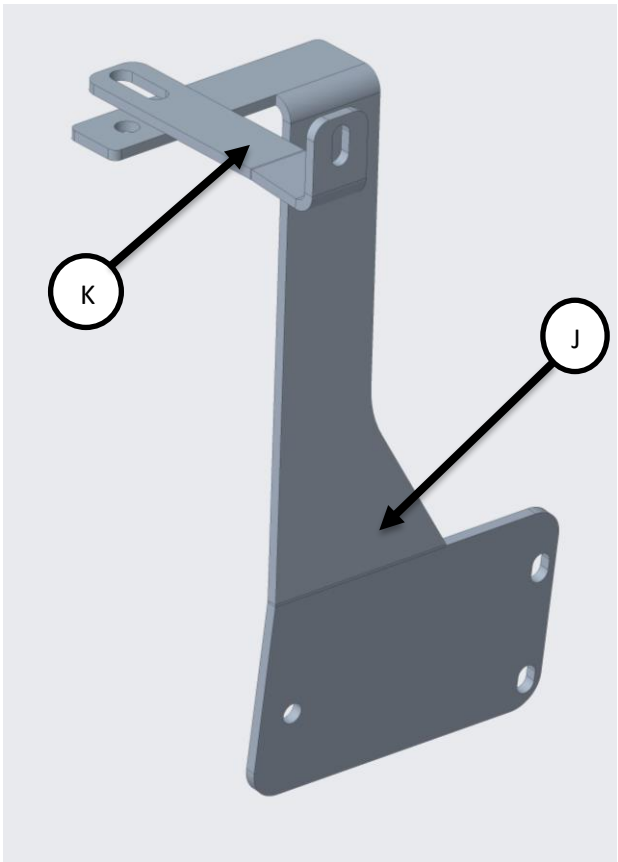
60  
Minutes

Models : 2023 +

Page 1 of 6

Date : 07/03/2023

**DIAGRAM**



	Qty	Description		Qty	Description
A	6	M8 x 35 set screws	L		
B	6	M8 x 30 x 2 Flat Washers	M		
C	8	M8 Spring Washers	N		
D	2	M10 x 30 set screws	O		
E	2	M10 x 25 x 2 Flat washers	P		
F	2	M10 Spring washers	Q		
G	2	M8 x 25 Sets screws			
H	2	M8 X 25 x 1.6 Flat Washers			
I	2	M8 Nut covers			
J	2	Main chassis mount bracket (P&D)			
K	2	Top bumper grill brackets			

Qty		Qty	
	RATCHET & SOCKET SET		HACK SAW
	MASKING TAPE		Screw driver set

**Precautions during fitment:**

Do not cause any damage to the vehicle. Apply masking Tape to the front bumper prevent any scratches. Requires 2 people to fit. Ensure that you are wearing the appropriate PPE during Fitment.

**Directions for use:**

Read all instructions carefully before installation

## Fitment Instruction: Ranger/Amarok Top Support Brackets

Visual / Graphic Illustration	Step #	Description/Method
<p>FIG 1</p> <p>370mm</p> <p>Centre position</p> <p>Cut right to the back as in the picture.</p> <p>60mm</p> <p>FIG 2</p>	<p>1</p> <p>Remove Bumper</p> <p>2</p>	<p>Remove Bumper</p> <p>Find the centre of the air deflector, mark 370mm and make the 60mm cut as shown in FIG 1 and 2</p>

## Fitment Instruction: Ranger/Amarok Top Support Brackets

Visual / Graphic Illustration

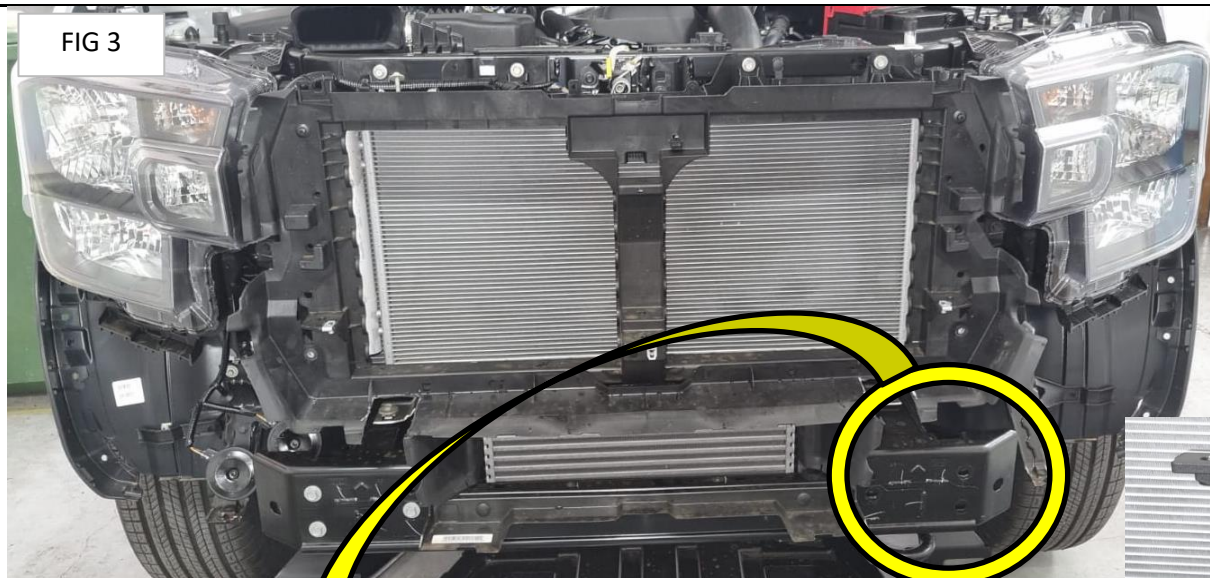


FIG 3



FIG 4

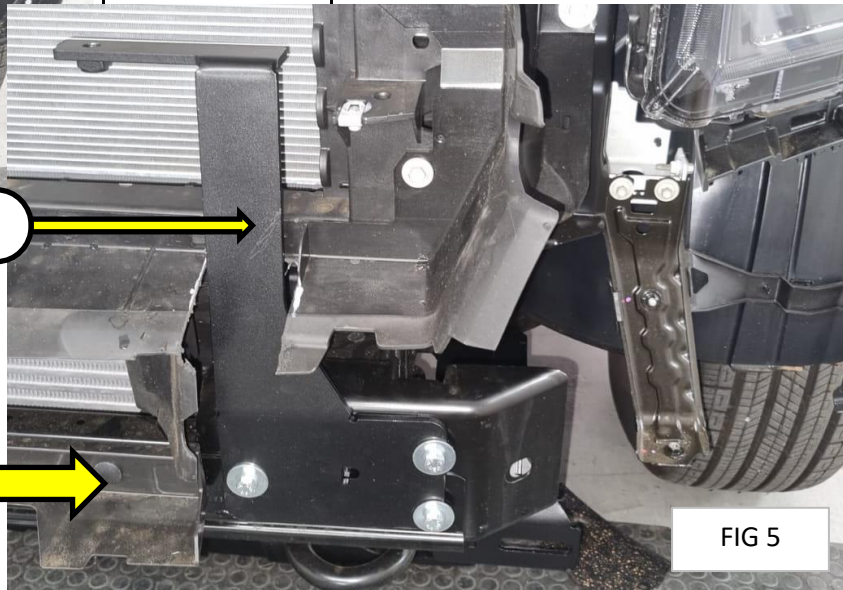


FIG 5

Step #

Description/Method

3

Using the M10 Fasteners provided, securely mount bracket J to the slam track as shown in FIG 5. Repeat this step on the drivers side as well and then fit the bumper back on but do not fully secure the grill.



## Fitment Instruction: Ranger/Amarok Top Support Brackets

Visual / Graphic Illustration

Step #

Description/Method

FIG 6



4

As shown in Fig 6 and 7, push the top bracket through the grill and loosely mount it to the main bracket using the M8 fasteners. Gently pull the grill forward just enough to get your hand and a socket through.

FIG 7



FIG 8



**Fitment Instruction:**

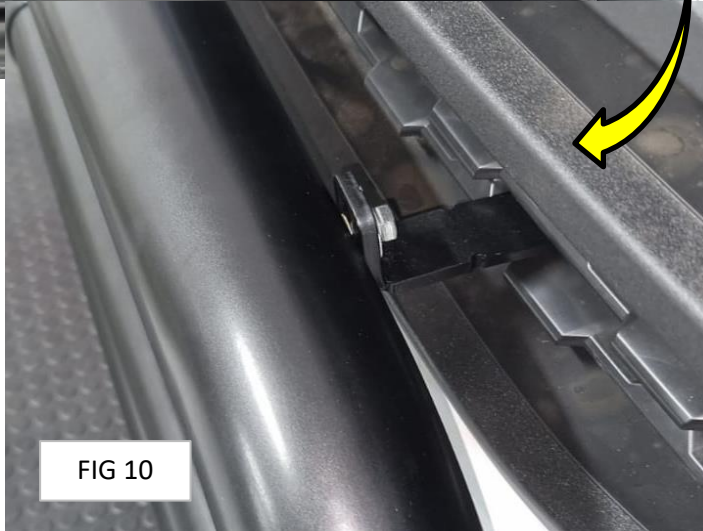
## Ranger/Amarok Top Support Brackets

Visual / Graphic Illustration

FIG 9



FIG 10



Step #

Description/Method

5

Mount your bar using the M8 Fasteners as shown in the FIG 9 and 10.

## Final step

Page 6 of 6

Make sure bar is centralised and tighten all fasteners to specified torque. M8= 22Nm , M10= 42Nm , M6= 9Nm, M12=73Nm.



Have the black caps fitted to the M8 bolt heads to complete the fitment