

# ACCESSORY FITMENT

**Product**

Sports Bar - Standard Sports Bar Short Leg (Black & Stainless Steel) (Rap Cab)

**Part no.**

150069 TN : 491



60  
Minutes

Models : Rap Cab

Page 1 of 9

Date :03/10/2023

## DIAGRAM



## Kit content:

	Qty	Description		Qty	Description
A	4	M8 x 25 Sets Screws	P	1	Passenger side Corner Bracket
B	18	M8 x 20 x 1.6 Flat washers	Q	1	Passenger Side Corner Bracket
C	18	M8 Spring washers	R	2	12mm spacers
D	8	M8 Hex nuts	S	2	16mm spacers
E	8	M8 x 45 CSK set screws	T	6	M8 plastic caps
F	2	M8 x 90 Set screws	U	8	CSK black caps
G	2	M8 x 25 x 2 Flat washers	V		
H	6	Grommets	W		
I	2	Base plates (P & D)	X		
J	4	Load spread plates	Y		
K	2	Top mount joining rubbers			
L	2	Side tubes			
M	4	Base rubbers			
N	8	Spacer tubes			
O	6	M8 x 40 Set screws			

## Additional equipment/Material needed for fitment :

Qty		Spanner Set + extension		27mm Hole saw and drill
		Torque wrench		Stanley knife
		Measuring Tape		Allen Key set

## Precautions during fitment:

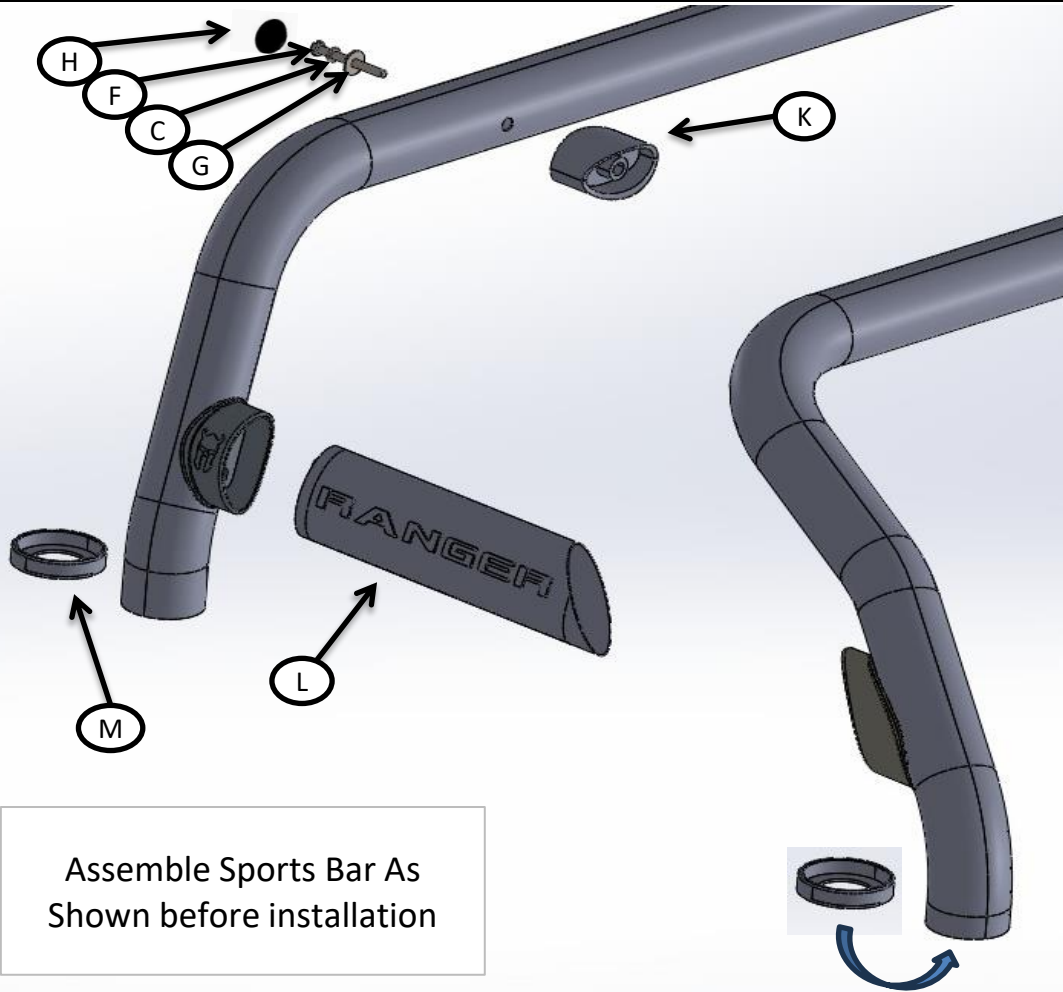
Ensure you have an adequate working space. Requires two people for fitment. Ensure that the correct tools are used with installation. Read through the fitting instructions carefully before installation.

## Fitment Instruction: Ranger Rap cab Sports Bar

Visual / Graphic Illustration

Step #

Description/Method








1

Assemble the sports bar using the fasteners provided.

Assemble Sports Bar As  
Shown before installation

## Fitment Instruction:

Ranger Rap cab Sports Bar

Visual / Graphic Illustration	Step #	Description/Method
 <p>Fig 1</p>	2	Using the base plate as a guide, place it on the bin and follow the profile as per Fig 1. Mark your holes as per Fig 2.
 <p>Fig 2</p>	3	The Front Holes Must be drilled through the bin from the top , start with 4mm pilot holes and then 9mm finishing holes (Fig 3). Now Drill holes through the plastic ONLY using a 27mm Hole saw then trim out section with Stanley knife as per Fig 4
 <p>Fig 3</p>	 <p>Fig 4</p>	Apply Tectile after drilling
<p>Drill through plastic and Bin . Step 3.</p>	<p>Drill through plastic ONLY. Bin has existing holes underneath</p>	

# Fitment Instruction: Ranger Rap cab Sports Bar

Visual / Graphic Illustration

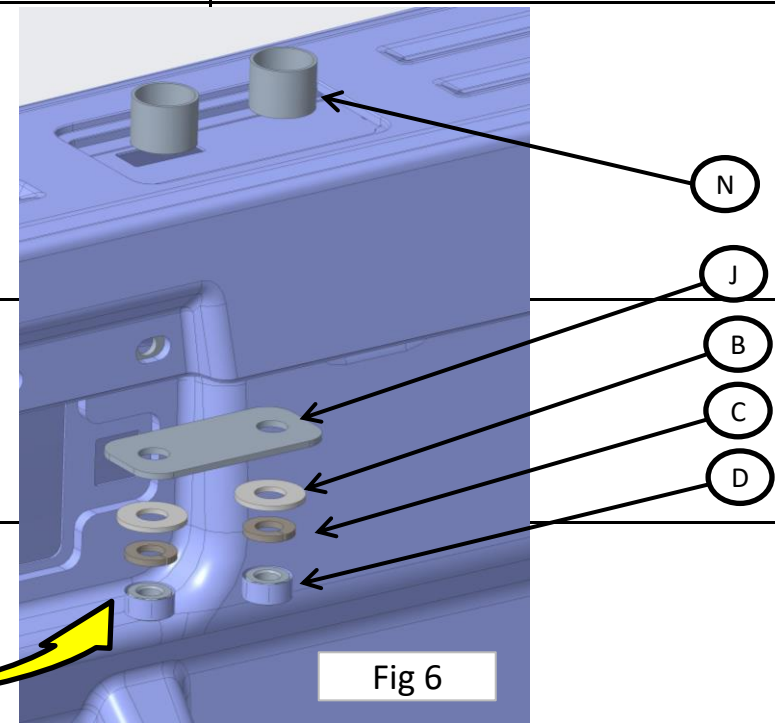
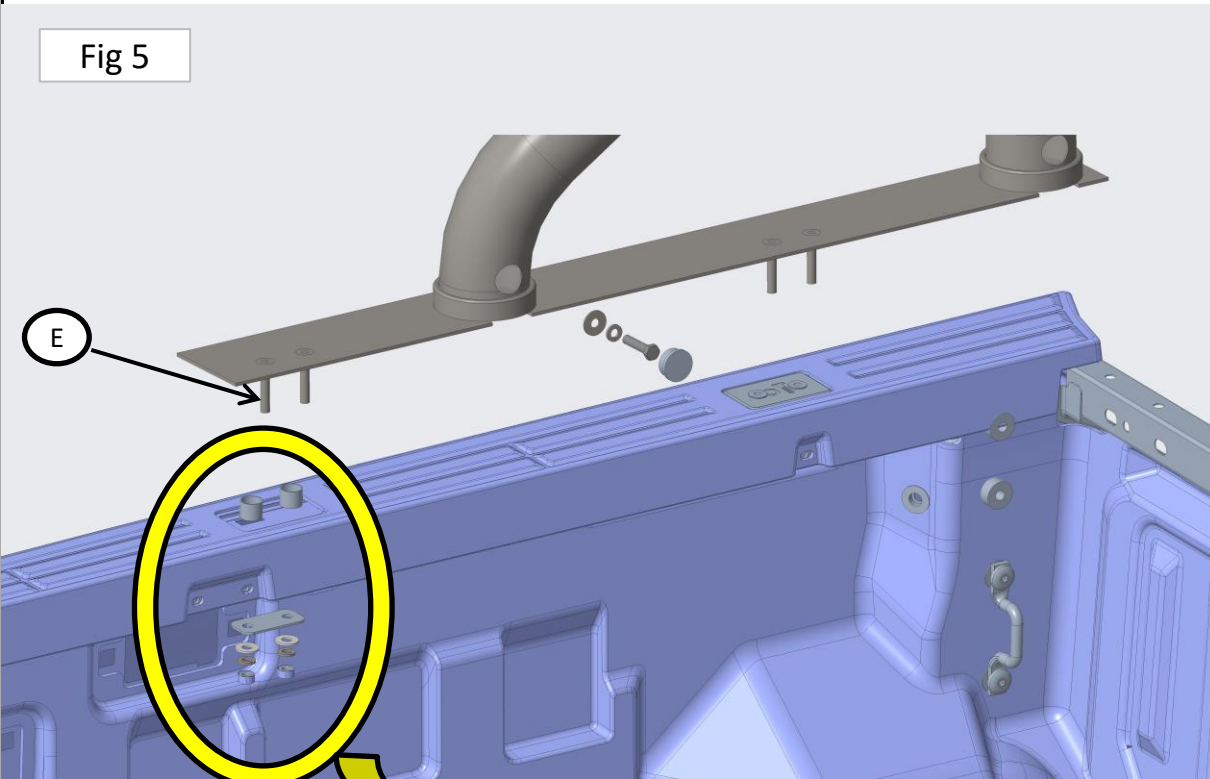
Step #

Description/Method


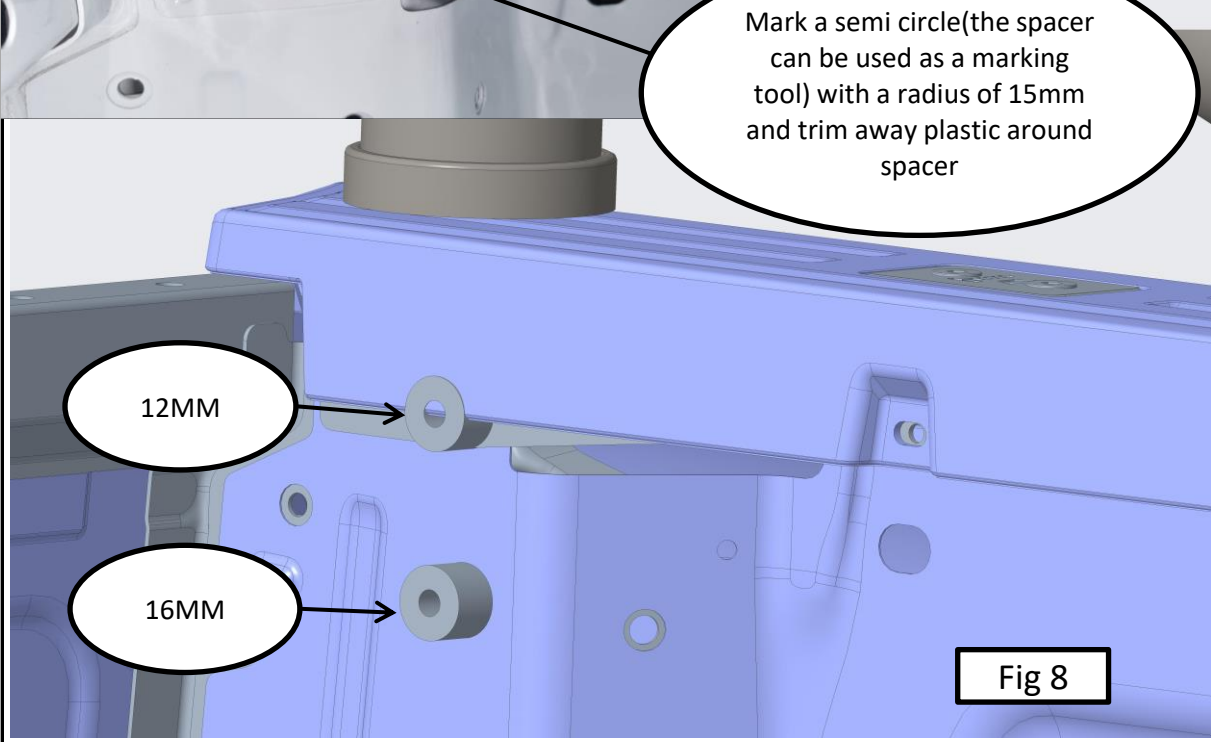
Fig 5

4

Loosely mount the Base Plate on to side using the hardware shown in Fig 5 and 6

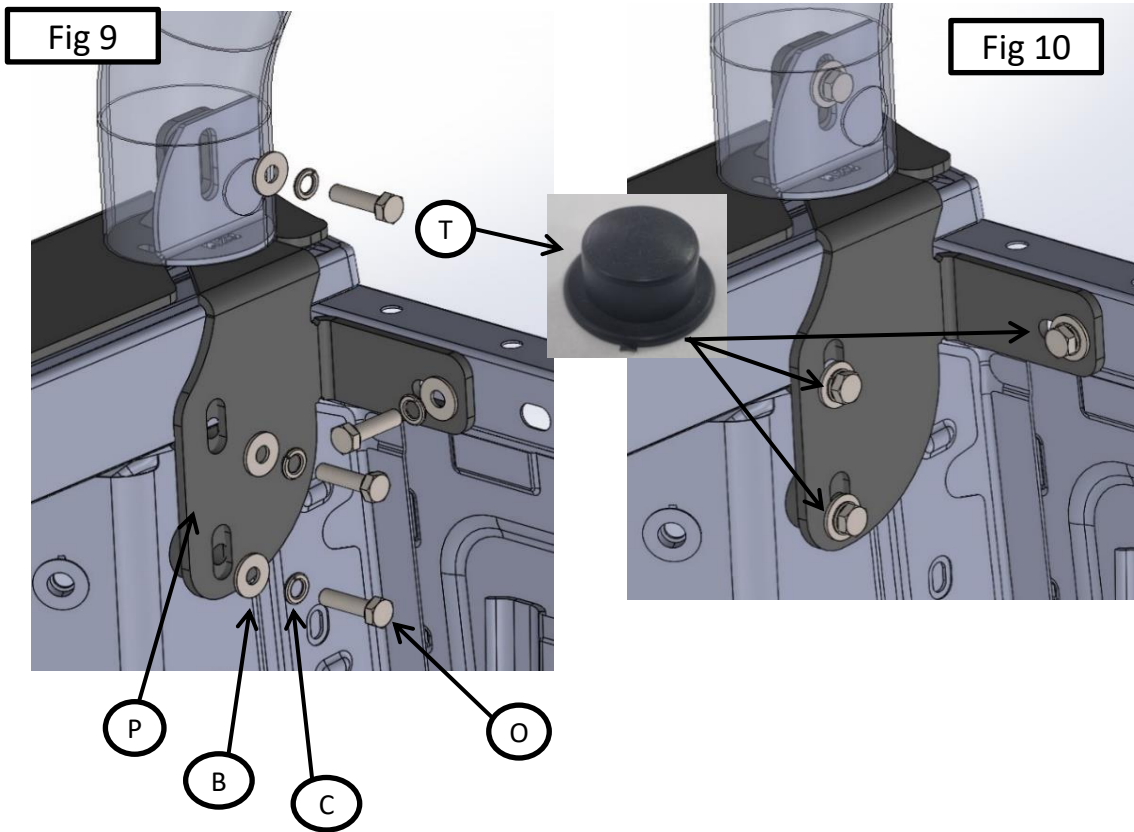


## Fitment Instruction: Ranger Rap Cab Sports Bar

Visual / Graphic Illustration	Step #	Description/Method
 <p><b>Fig 7</b></p>	<p>5</p>	<p>Using the 12 mm and 16 mm spacers provided, you can now mount the front bracket. Begin by making a slight trim around the 12mm spacer using a Stanley knife. Once you are done the spacer should fit flush.</p>
 <p><b>Fig 8</b></p>		

## Fitment Instruction: Ranger Rap Cab Sports Bar

Visual / Graphic Illustration



Step #

Description/Method

6

Install the Corner Brackets as shown in Fig 9 & 10. (Passenger side shown) Do not Tighten Fully yet. The M8 Bolt Cap(T) will only be required at the end of the fitment, after you have the bar secured.

## Fitment Instruction: Ranger Rap cab Sports Bar

Visual / Graphic Illustration	Step #	Description/Method
	<p>7</p>	<p>Once the base plate has been loosely mounted, place the assembled bar onto the base and using the fasteners below, loosely mount the entire bar to the base plates. The grommet(H) and the CSK cap(U) will only be required at the end of the fitment, after you have the bar secured.</p>
		<p>NB - Use the super glue provided to secure the CSK cap. 1 drop per cap is sufficient. Apply it to the inside on the bolt head. DO NOT SPILL ON BASE PLATE!</p>

**Fitment Instruction:**  
Ranger Rap cab Sports Bar

Visual / Graphic Illustration



Step #

Description/Method

8

Once the bar is placed correctly, you can begin to tighten the base plate first, then tighten the bar onto the base plate.

9

Do not forget to fit the grommets(H) into the bar.



Make sure bar is centralised and tighten all fasteners to specified torque. M8= 22Nm , M10= 42Nm , M6= 9Nm.

