

ACCESSORY FITMENT

Product

New VW Amaork Sports Bar w Oval Side Tubes

Part no.

250063 TN : 496



60
Minutes

Models : DCAB

Page 1 of 9

Date :03/04/2023

DIAGRAM



Kit content:

	Qty	Description		Qty	Description
A	4	M8 x 25 Sets	P	8	CSK Plastic caps
B	18	M8 x 20 x 1.6 Flat washers	Q	6	M8 plastic caps
C	18	M8 Spring washers	R		
D	8	M8 Hex nuts	S		
E	8	M8 x 45 CSK set screws	T		
F	2	M8 x 90 Set screws	U		
G	2	M8 x 25 x 2 Flat washers	V		
H	6	Grommets	W		
I	2	Base plates (P & D)	X		
J	4	Load spread plates	Y		
K	2	Top mount joining rubbers			
L	2	Side tubes			
M	4	Base rubbers			
N	8	Spacer tubes			
O	6	M8 x 40 sets			

Additional equipment/Material needed for fitment :

Qty		Spanner Set + extension		27mm Hole saw and drill
		Torque wrench		Stanley knife
		Measuring Tape		Allen Key set

Precautions during fitment:

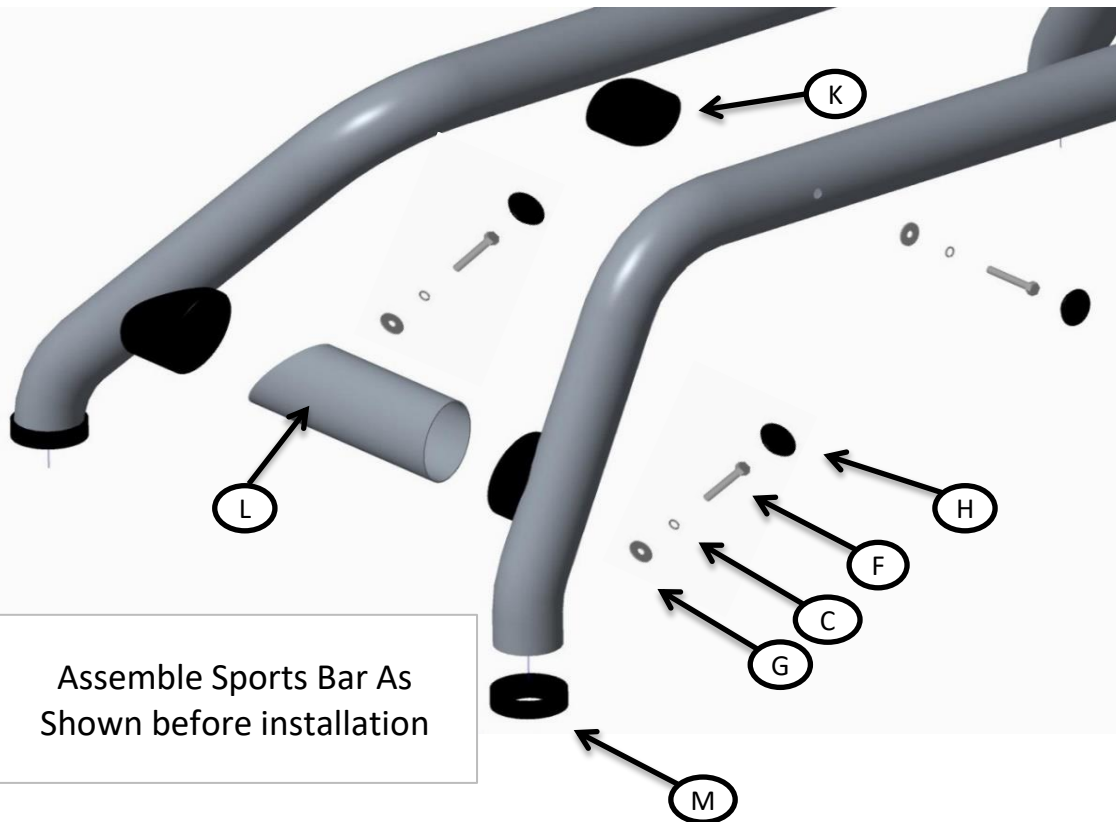
Ensure you have an adequate working space. Requires two people for fitment. Ensure that the correct tools are used with installation. Read through the fitting instructions carefully before installation.

Fitment Instruction: Amarok Sports bar

Visual / Graphic Illustration


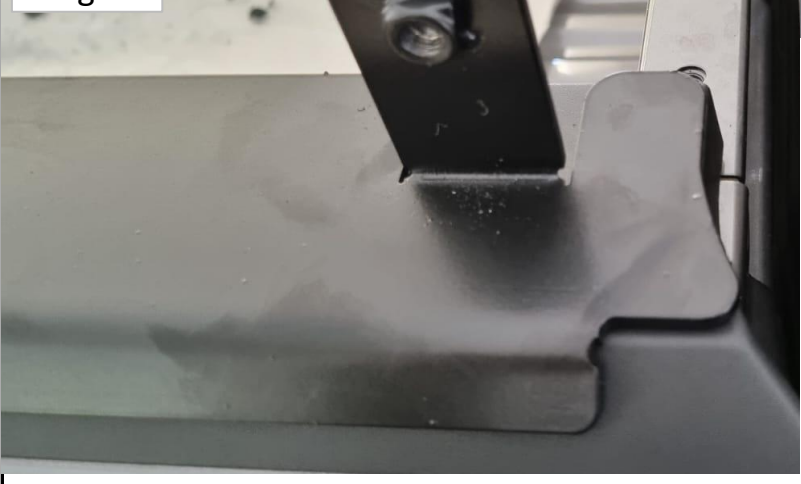

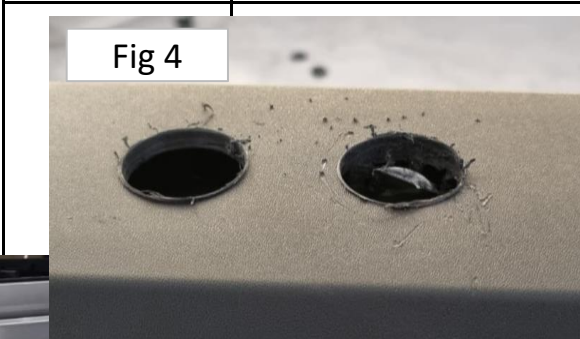

Step #

Description/Method



- 1 Assemble the sports bar using the fastners provided.

Fitment Instruction: Amarok Sports bar

Visual / Graphic Illustration	Step #	Description/Method
 <p data-bbox="47 448 208 501">Fig 1</p>	<p data-bbox="1267 501 1496 553">2</p>	<p data-bbox="1496 427 2177 687">Using the base plate as a guide, place it on the bin and follow the profile as per Fig 1 and 2. Mark your hole as per Fig 3 using a 27mm hole saw, drill 2 holes over the markings, then using a stanley knife, gently trim between the two holes. This will reveal the mounting holes beneath.</p>
 <p data-bbox="47 954 208 1007">Fig 2</p>	 <p data-bbox="846 1353 1021 1406">Fig 3</p>	 <p data-bbox="1267 703 1496 756">Fig 4</p>  <p data-bbox="2011 1353 2177 1406">Fig 5</p>

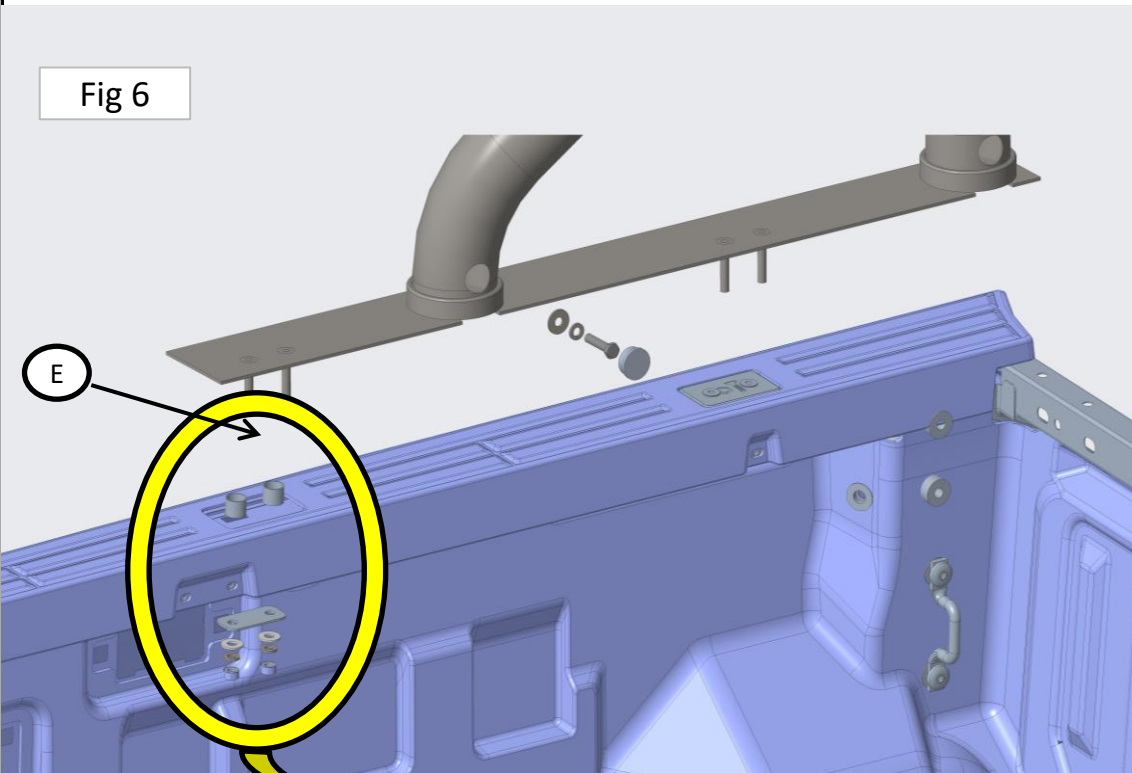
Fitment Instruction: Amarok Sports Bar

Visual / Graphic Illustration

Step #

Description/Method

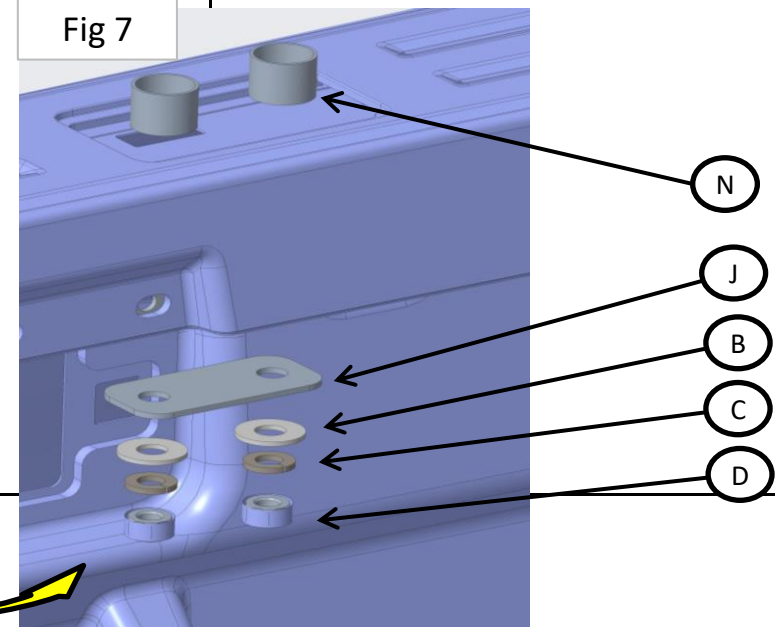
Fig 6



3

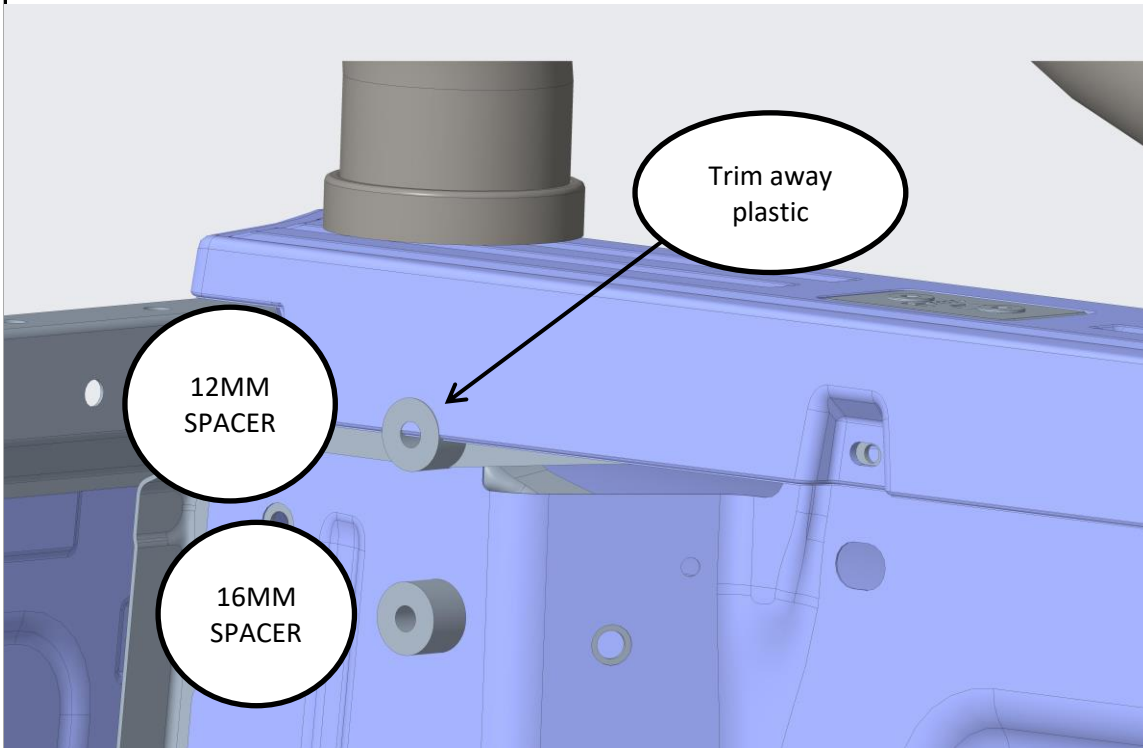
Loosely mount the Base Plate on to side using the hardware shown in Fig 1 and 2

Fig 7



Fitment Instruction: Amarok Sports Bar

Visual / Graphic Illustration



4

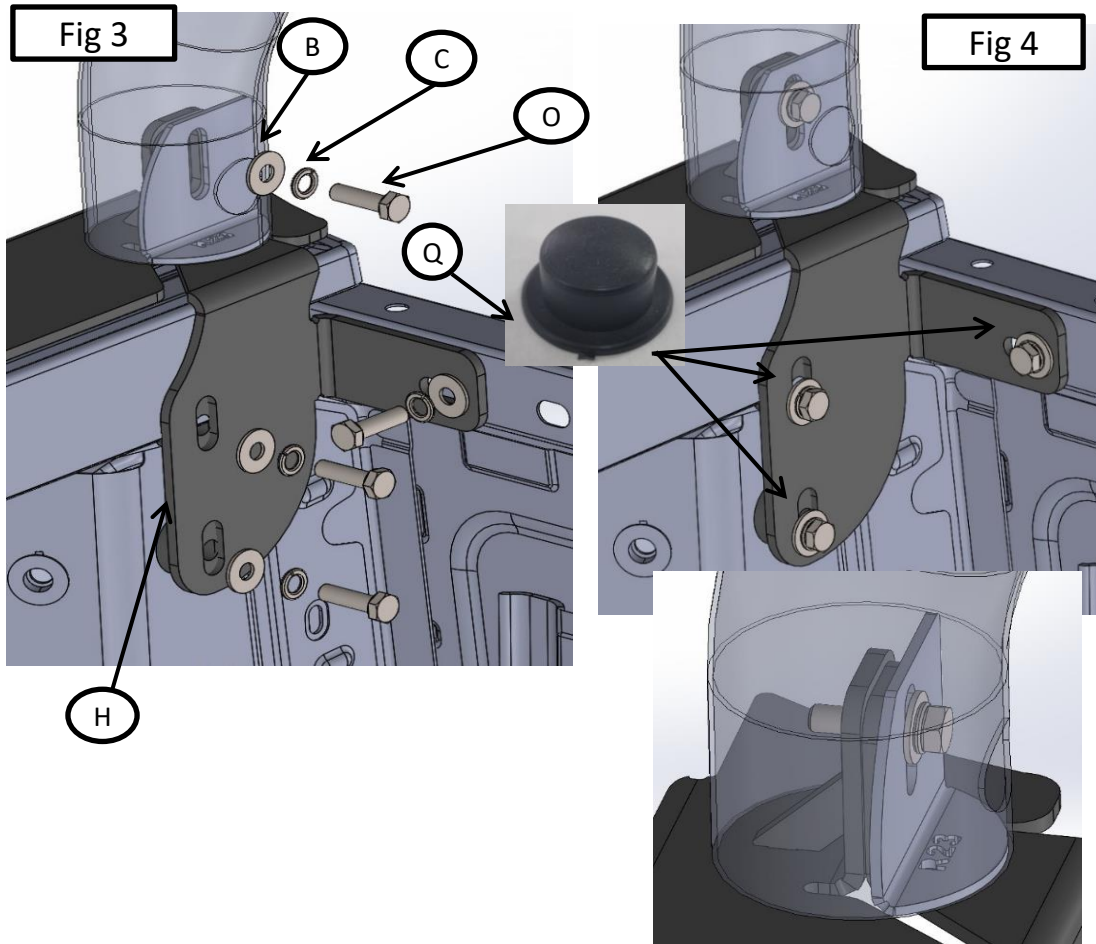
Using the 12 mm and 16 mm spacers provided, you can now mount the front bracket. Begin by making a slight trim around the 12mm spacer using a Stanley knife. Once you are done the spacer should fit flush.

Fitment Instruction:

Fitment Instruction:

Amarok Sports Bar

Visual / Graphic Illustration



Step #

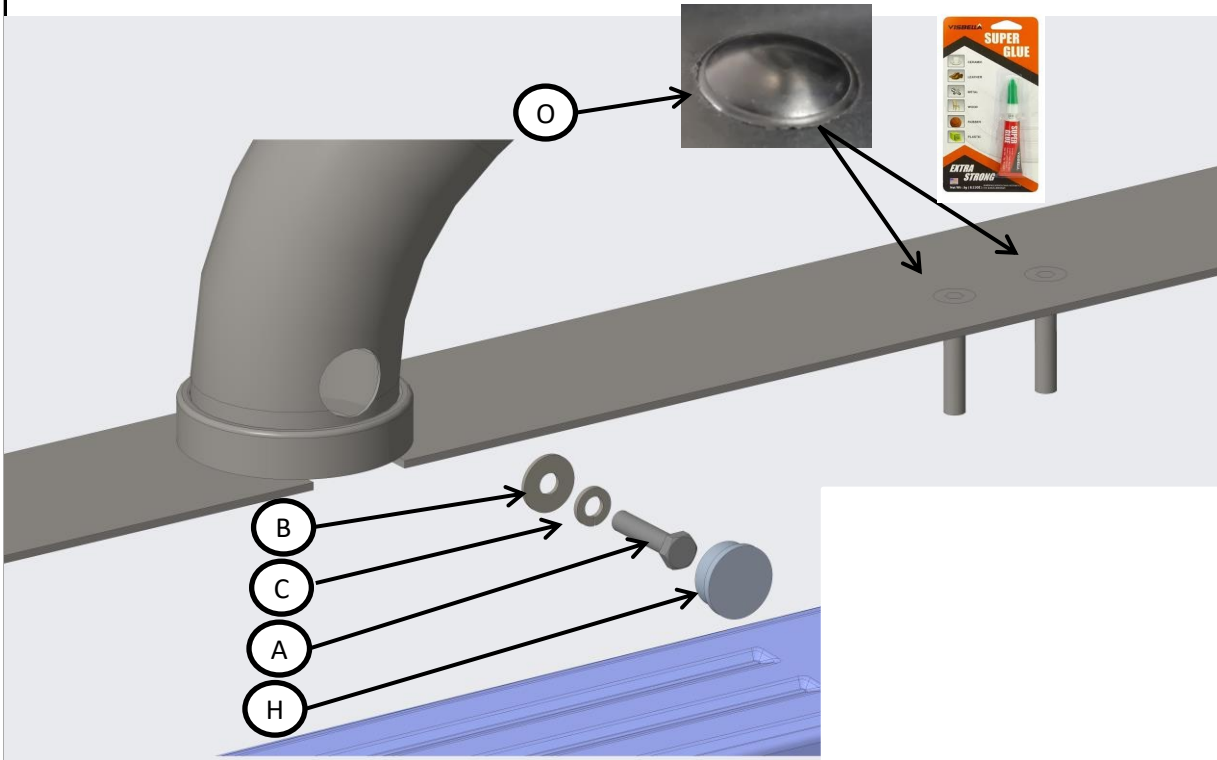
Description/Method

5

Install the Corner Brackets as shown in Fig 3 & 4. (Passenger side shown) Do not Tighten Fully yet. The M8 Bolt Cap(Q) will only be required at the end of the fitment, after you have the bar secured.

Amaork Sports Bar

Visual / Graphic Illustration



Step #

Description/Method

6

Once the base plate has been loosely mounted, place the assembled bar onto the base and using the fasteners below, loosley mount the entire bar to the base plates. The grommet(H) and the CSK cap(O) will only be required at the end of the fitment, after you have the bar secured.

NB - Use the super glue provided to secure the CSK cap. 1 drop per cap is sufficient. Apply it to the inside on the bolt head. DO NOT SPILL ON BASE PLATE!

Amarok Sports Bar

Visual / Graphic Illustration



Step #

Description/Method

7

Once the bar is placed correctly, you can begin to tighten the base plate first, then tighten the bar onto the base plate.

8

Do not forget to fit the grommets(H) into the bar.

Make sure bar is centralised and tighten all fasteners to specified torque. M8= 22Nm , M10= 42Nm , M6= 9Nm.

