

# ACCESSORY FITMENT INSTRUCTION

**Product**

Ford Ranger Next Gen, Wildtrak & Everest Nudge 2023

**Part no.**

(150050T-24)(150054T-WTD-24)(150054T-EV-24) (TN: 488/489 )



60  
Minutes

Models : 2023 +

Page 1 of 8

Date : 04/06/2024

## DIAGRAM



	Qty	Description		Qty	Description
A	2	M12x50mm Set Screw	L	4	M8 Plastic Nut caps
B	2	M12x30mmx3mm	M	4	M10 Plastic Nut caps
C	2	M12 Spring Washers	N	2	Main Chassis Bracket(P+D)
D	6	M10x30mm Set Screw	O	2	Side Spreader plate with weld bolts
E	2	M10x40mmx3mm Flat Washers	P	2	Nudge Mount bracket (P+D)
F	12	M10x30mmx3mm Flat Washers	Q	2	Upright Support bracket(P+D)
G	10	M10 Spring Washer			
H	4	M8x25mm Set Screw			
I	4	M8x22mmx2mm Flat Washer			
J	4	M8 Spring Washer			
K	8	M10 hex Nuts			
Qty			Qty		
		RATCHET & SOCKET SET			HACK SAW
		MASKING TAPE			

### Precautions during fitment:

Do not cause any damage to the vehicle. Apply masking Tape to the front bumper prevent any scratches. Requires 2 people to fit. Ensure that you are wearing the appropriate PPE during Fitment.

### Directions for use:

Read all instructions carefully before installation

## Fitment Instruction: Ranger Nudge bar

Visual / Graphic Illustration

Step #

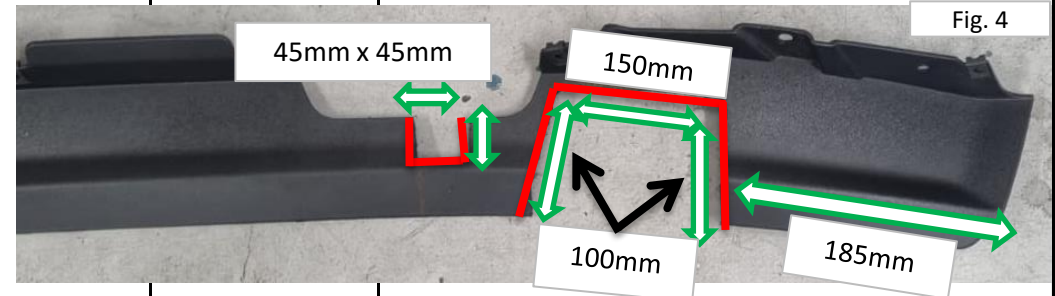
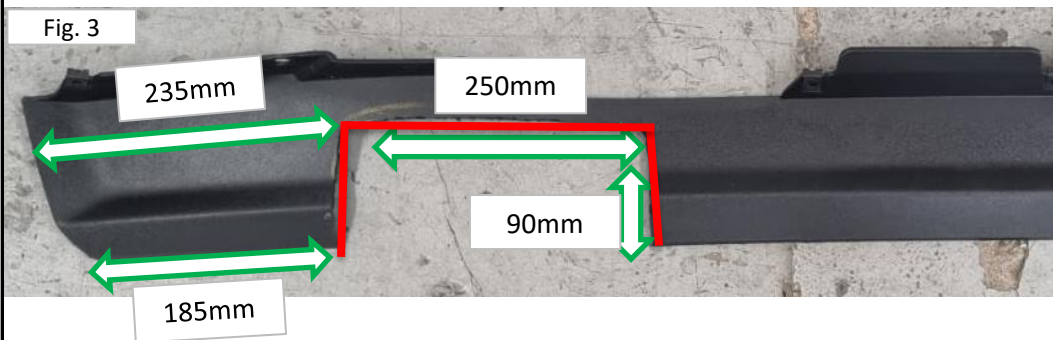
Description/Method

1

Remove Front Plastic Under cover.  
Mark the outline for your trim as shown in Fig 3 and 4.  
This will allow the brackets to come through without obstruction.  
Fig 2 shows you the final image of how the plastic should look.

**NB : After trimming the Plastic Cover you will need to install it back to the bumper before you begin the fitment.**

**NB : When fitting Wildtrak and Everest you will duplicate Fig 4 on both ends of the plastic. XLT and other base models will use Fig 3 and Fig 4.**



## Fitment Instruction: Ranger nudge bar

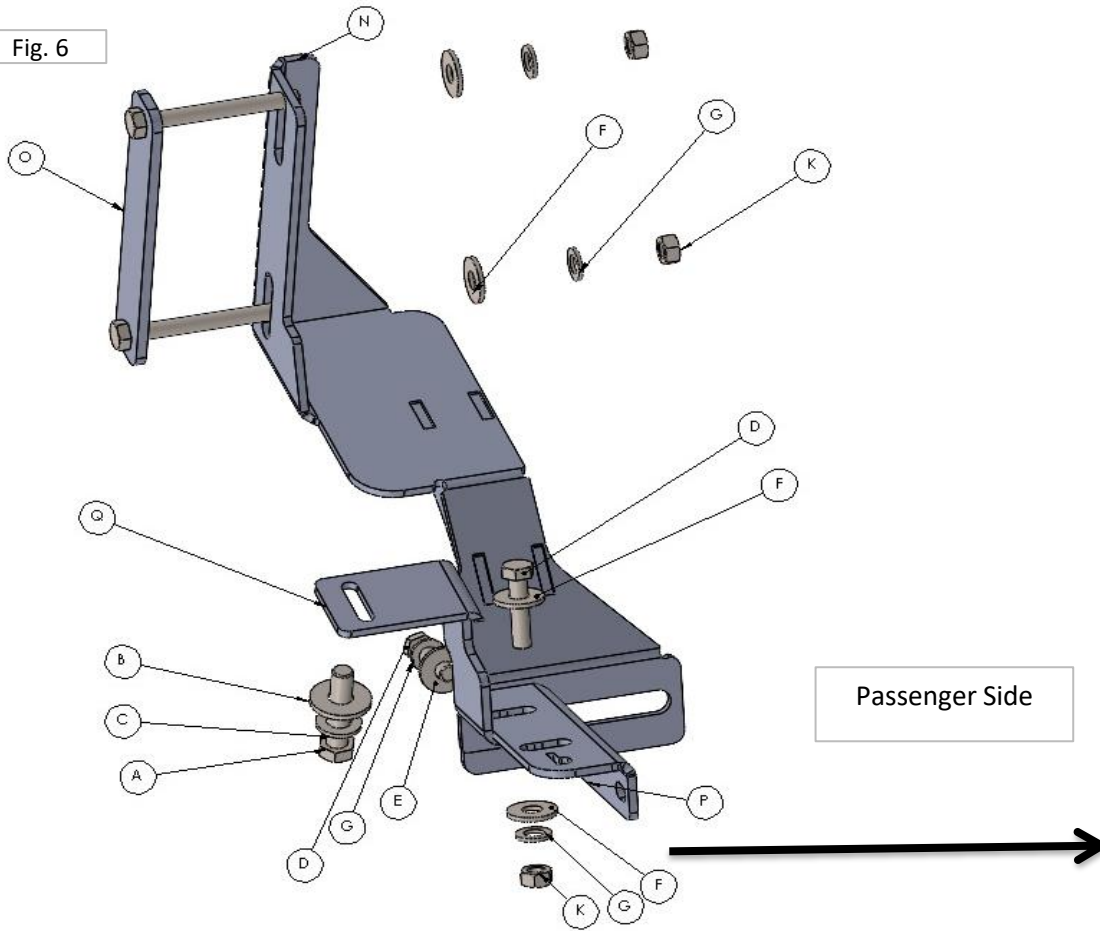
Visual / Graphic Illustration	Step #	Description/Method
<p>Fig. 5</p> <p style="text-align: right;">Passenger Side</p>		<p>Bracket assembly for passenger side shown in FIG 5</p>

## Fitment Instruction: Ranger Nudge bar

Visual / Graphic Illustration

Step #

Description/Method



Bracket assembly including fasteners for passenger side shown in FIG 6 and 7

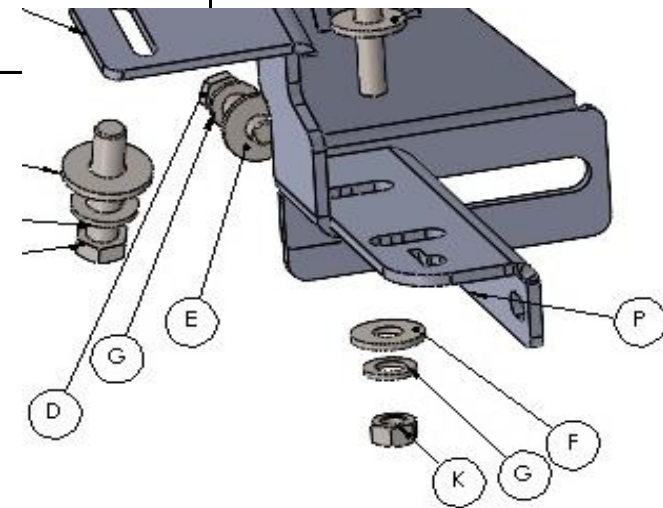
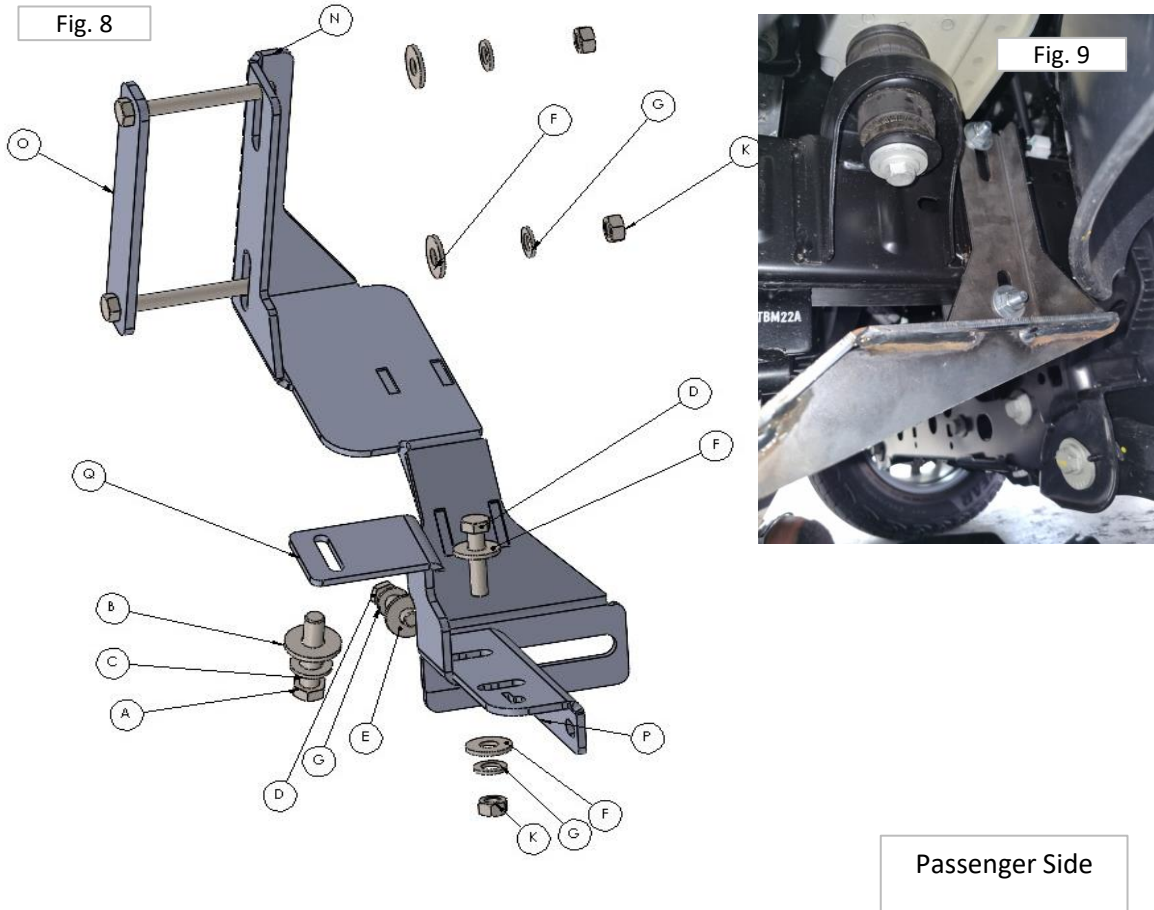


Fig. 7

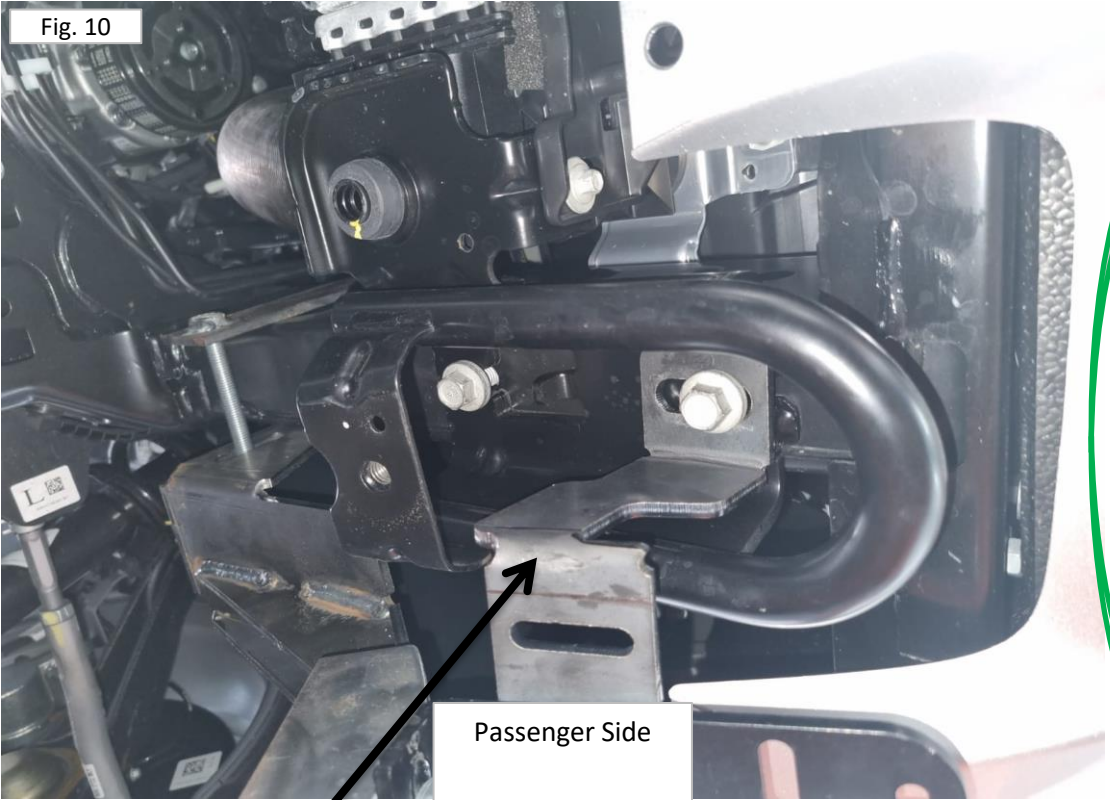
## Fitment Instruction:

### Visual / Graphic Illustration



Step #	Description/Method
1	Place bracket 'O' behind the body mount over the chassis, using the fastners provided(Refer to Fig 6 for fastners), loosley mount bracket 'N'as shown in Fig 9 . .
2	Mount bracket P to bracket N as shown in Fig 8 and finger tighten.Refer to Fig 6 for fastners.
3	Loosley mount bracket Q to bracket P as shown in Fig 8. Refer to Fig 6 for fastners.

## Fitment Instruction: Ranger Nudge bar

Visual / Graphic Illustration	Step #	Description/Method
 <p data-bbox="129 464 210 488">Fig. 10</p> <p data-bbox="566 1171 748 1198">Passenger Side</p> <p data-bbox="344 1299 398 1337">Q</p>	4	<p>Mount the top of bracket 'Q' inside the tow eye to the chassis using the M12 fasteners(Refer to Fig 6 for fastners) as shown in Fig 10.</p>
	5	<p>Repeat steps 1 to 4 on the drivers side.</p>
	<b>NB:</b>	<p><b>NB:</b> Do not use original fastners from chassis, remove and discard. Image used is just for illustration</p>

## Fitment Instruction: Ranger Nudge bar

Visual / Graphic Illustration

Step #

Description/Method



Fig. 11

Fit the M8 and M10 Black bolt caps to exposed bolt heads

6

Loosley mount the inside of the nudge bar to the bracket 'P' as shown in the Fig 11 and 12 using the M8 fastners.(Refer to Fig 6 for fastners)

7

Loosley mount the back of the nudge to bracket 'N' as shown in Fig 13. Use the 10 fastners provided.(Refer to Fig 6 for fastners). Repeat steps 6 and 7 on the Drivers side.

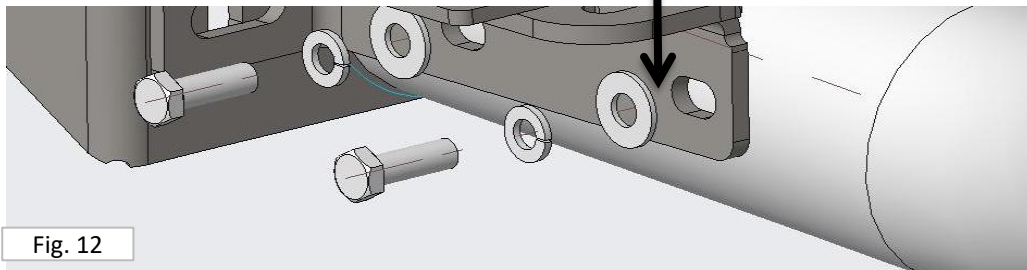


Fig. 12

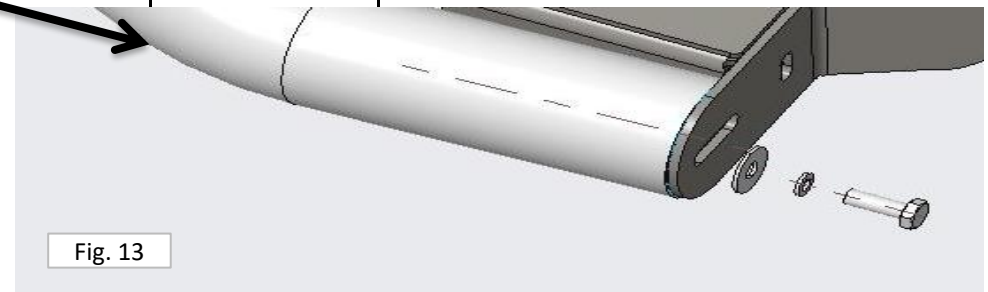
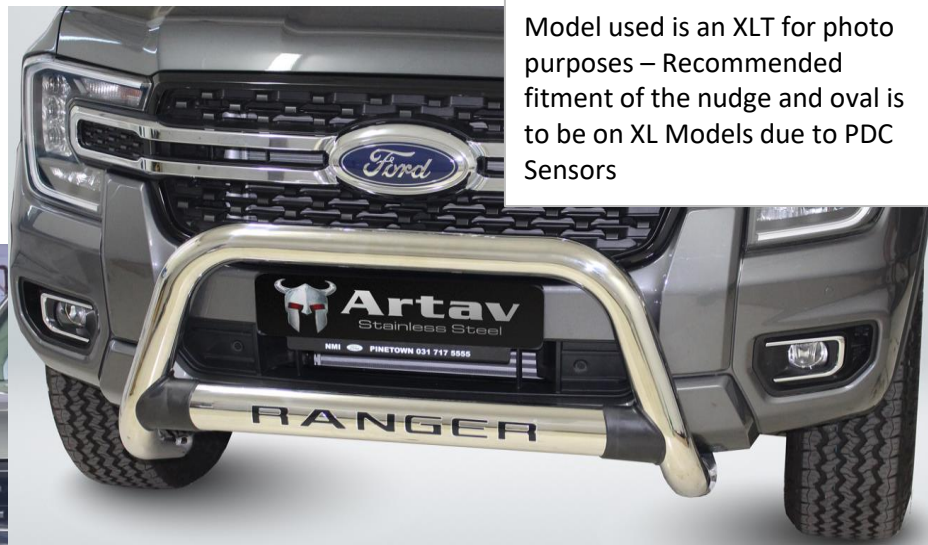


Fig. 13

Make sure bar is centralised and tighten all fasteners to specified torque. M8= 22Nm , M10= 42Nm , M6= 9Nm, M12=73Nm.



Model used is an XLT for photo purposes – Recommended fitment of the nudge and oval is to be on XL Models due to PDC Sensors



Ensure that the bar is fitted 20mm or 2 finger spacing from the bumper. This will ensure that PDC sensors are not affected.