

ACCESSORY FITMENT

Product

New VW Amarok PDC nudge bar Stainless

Part no.

(250061) (Tracking No.: 488)



60
Minutes

Models : 2023 +

Page 1 of 8

Date : 04/03/2023

DIAGRAM



	Qty	Description		Qty	Description
A	2	M12x50mm Set Screw	L	4	M8 Plastic Nut caps
B	2	M12x30mmx3mm	M	4	M10 Plastic Nut caps
C	2	M12 Spring Washers	N	2	Main Chassis Bracket(P+D)
D	6	M10x30mm Set Screw	O	2	Side Spreader plate with weld bolts
E	2	M10x40mmx3mm Flat Washers	P	2	Nudge Mount bracket (P+D)
F	12	M10x30mmx3mm Flat Washers	Q	2	Upright Support bracket(P+D)
G	10	M10 Spring Washer			
H	4	M8x25mm Set Screw			
I	4	M8x22mmx2mm Flat Washer			
J	4	M8 Spring Washer			
K	8	M10 hex Nuts			
Qty			Qty		
		RATCHET & SOCKET SET			HACK SAW
		MASKING TAPE			

Precautions during fitment:

Do not cause any damage to the vehicle. Apply masking Tape to the front bumper prevent any scratches. Requiries 2 people to fit. Ensure that you are wearing the appropriate PPE during Fitment.

Directions for use:

Read all instructions carefully before installation

Fitment Instruction: Amarok Nudge bar

Visual / Graphic Illustration

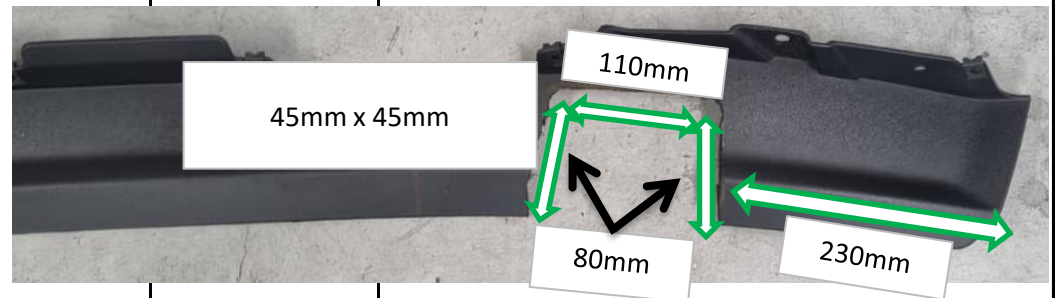
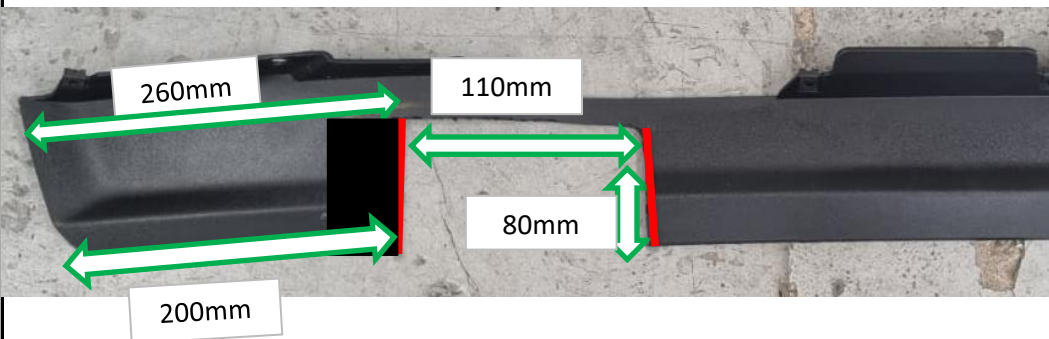
Fig. 1



Fig. 2



Fig. 4



Step #

1

Description/Method

Remove Front Plastic Under cover.
Mark the outline for your trim as shown in Fig 3 and 4.
This will allow the brackets to come through without obstruction.
Fig 2 shows you the final image of how the plastic should look.

NB : After trimming the Plastic Cover you will need to install it back to the bumper before you begin the fitment.

Fitment Instruction: Amarok nudge bar

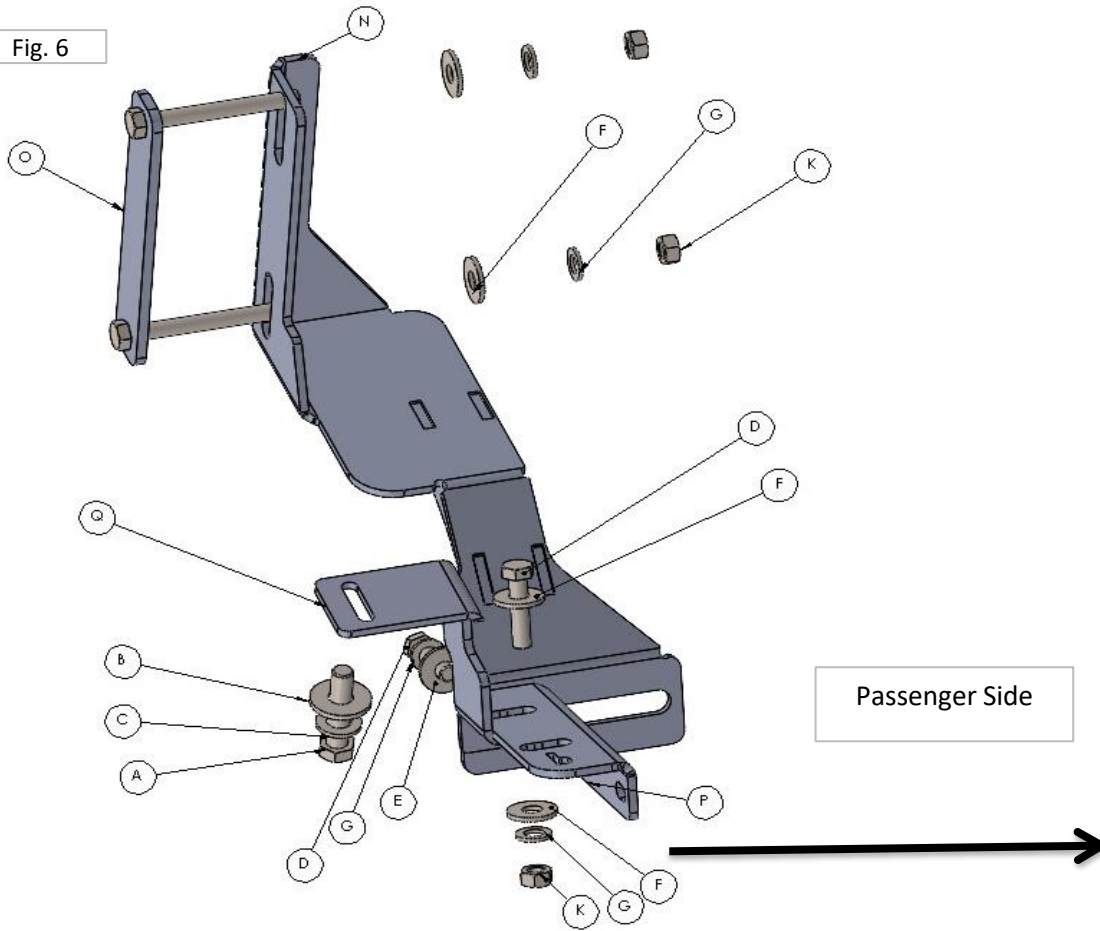
Visual / Graphic Illustration	Step #	Description/Method
		<p>Bracket assembly for passenger side shown in FIG 5</p>

Fitment Instruction: Amarok Nudge bar

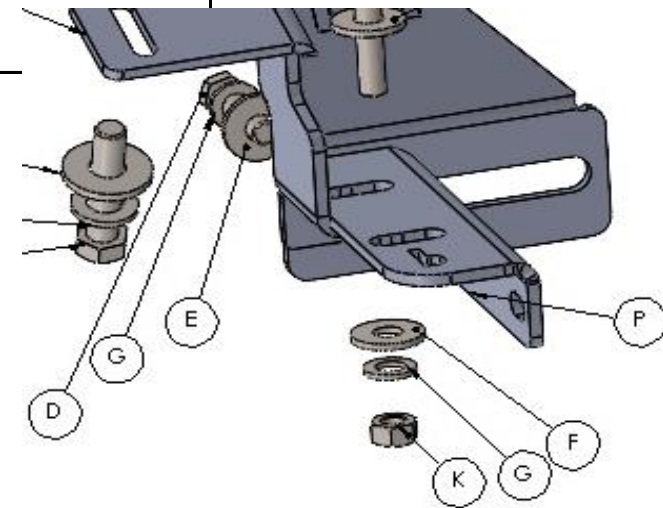
Visual / Graphic Illustration

Step #

Description/Method

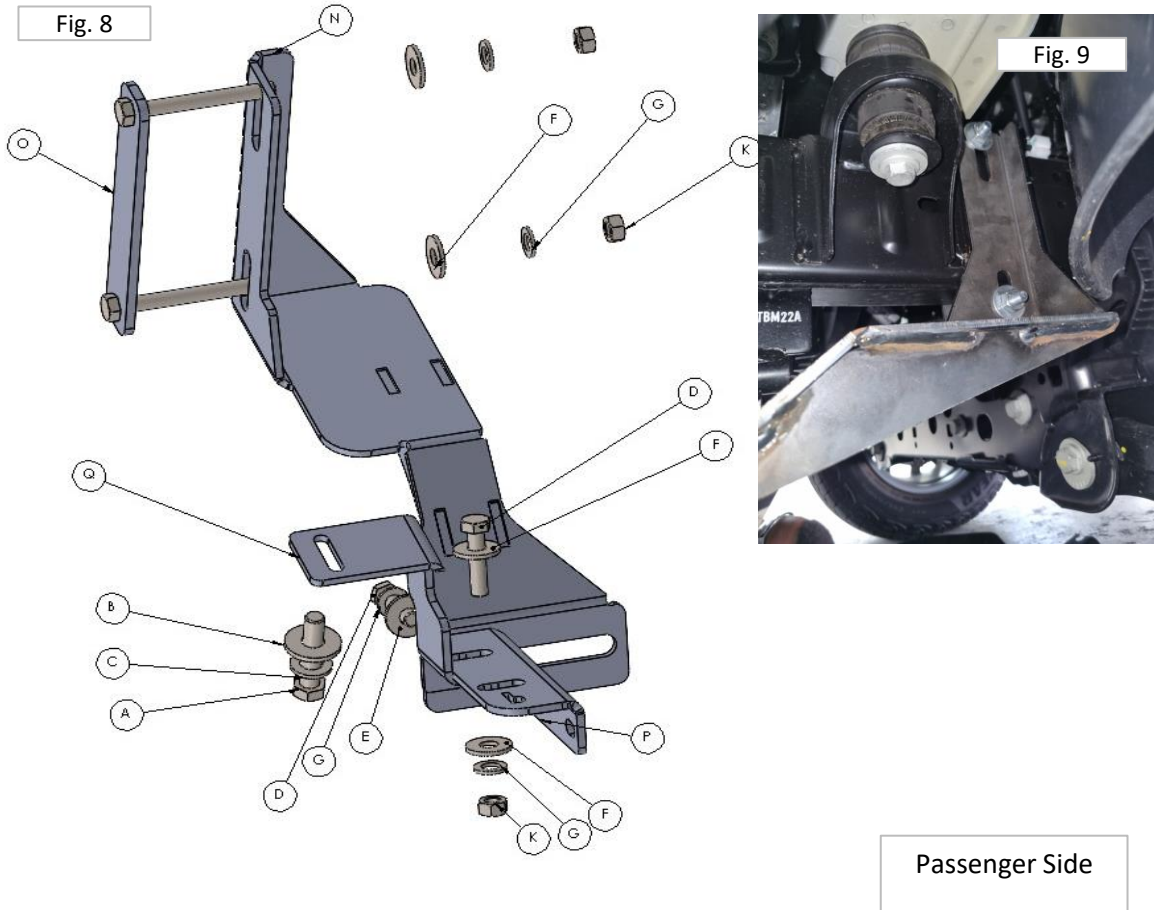


Bracket assembly including fasteners for passenger side shown in FIG 6 and 7



Fitment Instruction: Amarok Nudge bar

Visual / Graphic Illustration



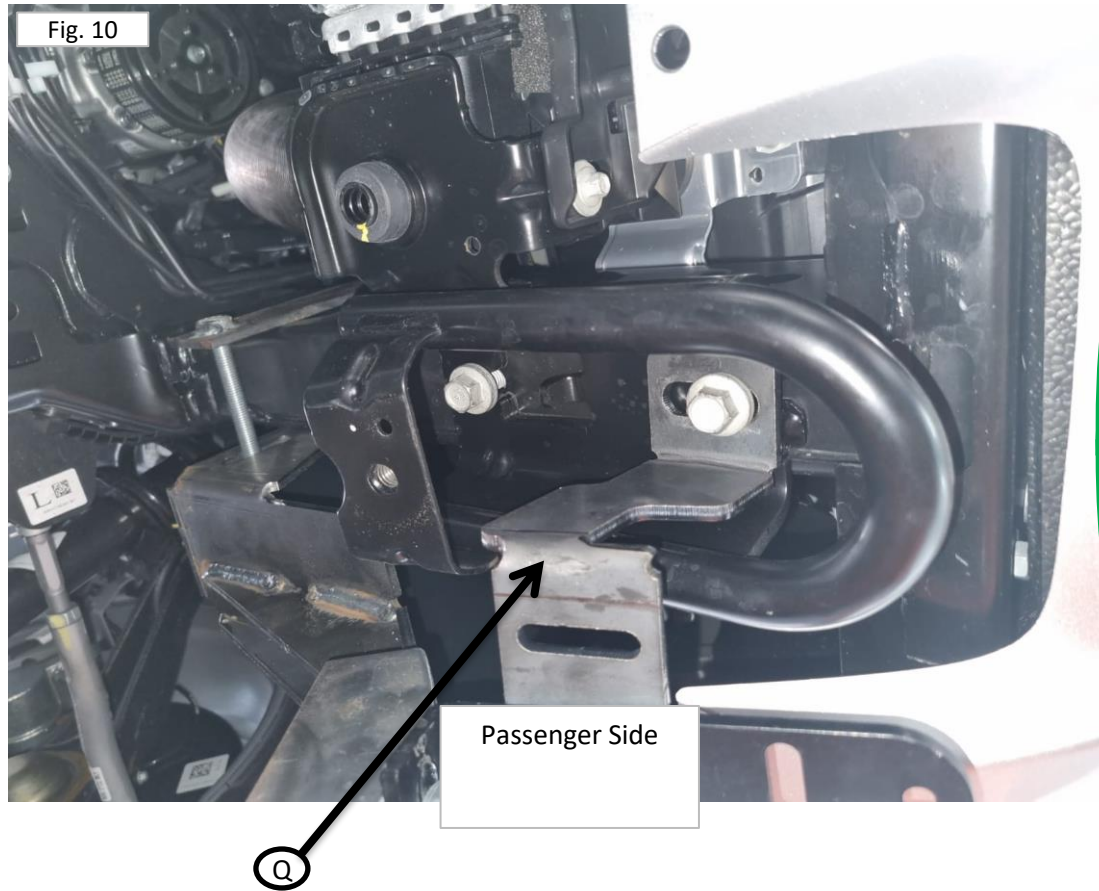
Step #	Description/Method
1	Place bracket 'O' behind the body mount over the chassis, using the fastners provided(Refer to Fig 6 for fastners), loosley mount bracket 'N'as shown in Fig 9 . .
2	Mount bracket P to bracket N as shown in Fig 8 and finger tighten.Refer to Fig 6 for fastners.
3	Loosley mount bracket Q to bracket P as shown in Fig 8. Refer to Fig 6 for fastners.

Fitment Instruction: Amarok Nudge bar

Visual / Graphic Illustration

Step #

Description/Method



4

Mount the top of bracket 'Q' inside the tow eye to the chassis using the M12 fasteners(Refer to Fig 6 for fastners) as shown in Fig 10.

5

Repeat steps 1 to 4 on the drivers side.

NB:

NB: Do not use original fastners from chassis, remove and discard. Image used is just for illustration

Fitment Instruction: Amarok Nudge bar

Visual / Graphic Illustration

Step #

Description/Method

Fig. 11

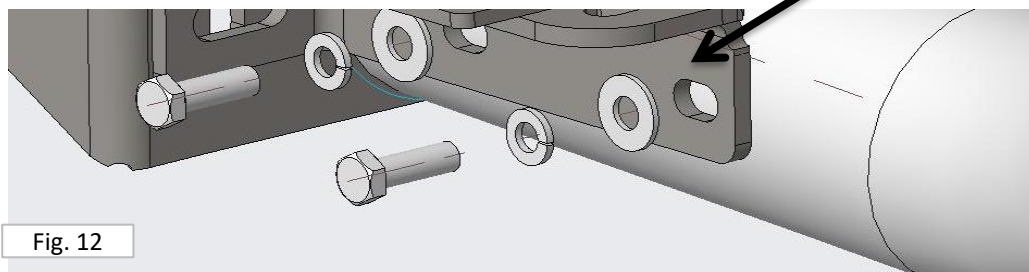
6

Loosley mount the inside of the nudge bar to the bracket 'P' as shown in the Fig 11 and 12 using the M8 fasteners.(Refer to Fig 6 for fasteners)

Fit the M8 and M10 Black bolt caps to exposed bolt heads

7

Loosley mount the back of the nudge to bracket 'N' as shown in Fig 13. Use the 10 fasteners provided.(Refer to Fig 6 for fasteners). Repeat steps 6 and 7 on the Drivers side.



Make sure bar is centralised and tighten all fasteners to specified torque. M8= 22Nm , M10= 42Nm , M6= 9Nm, M12=73Nm.

Model used is an XLT for photo purposes – Recommended fitment of the nudge and oval is to be on XL Models due to PDC Sensors



Ensure that the bar is fitted 20mm or 2 finger spacing from the bumper. This will ensure that PDC sensors are not affected.