

# ACCESSORY FITMENT INSTRUCTION

**Product**

Ford Ranger, Wildtrak, Everest, Tremor & Wildtrak X  
Nudge 2023

**Part no.**

(BS-150050-24),(BS-150054-WTD-24),(BS-150054-EV-24),(BS-TREMOR-24) & (BS-WILDTRAKX-24)TN:507



60  
Minutes

Models : All

Page 1 of 6

Date :04/05/2024

DIAGRAM



Kit content:

	Qty	Description		Qty	Description
A	6	M10x30 sets		2	SIDE SUPPORT BRACKET
B	16	M10x30x2.5 Flat washers			
C	8	M10 Spring washers			
D	8	M10 Hex nuts			
E	8	M10 Plastic caps			
F	2	M10 x 100 set screws			
G	2	MAIN CHASSIS BRACKET			

Additional equipment/Material needed for fitment :

Qty			Qty	
2	17	spanners		
1	17	socket and ratchet	1	Flat screwdriver
1	16	socket (Wild Trak X)		
1	15	socket		
1		Spline key set		

Precautions during fitment:

Wear correct PPE and dont scratch the vehicle during fitment.

Directions for use:

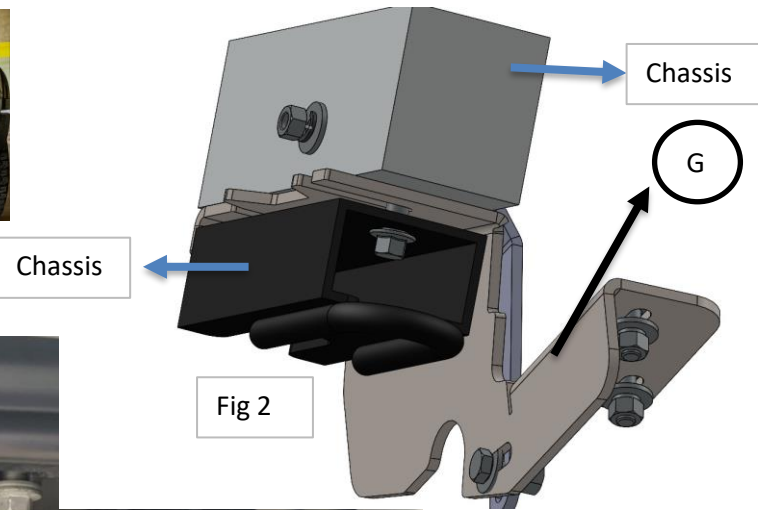
Read entire fitting instruction before you begin.

## Fitment Instruction: Ranger Nudge

### Visual / Graphic Illustration



Fig 1



Chassis

Chassis

G

Fig 2

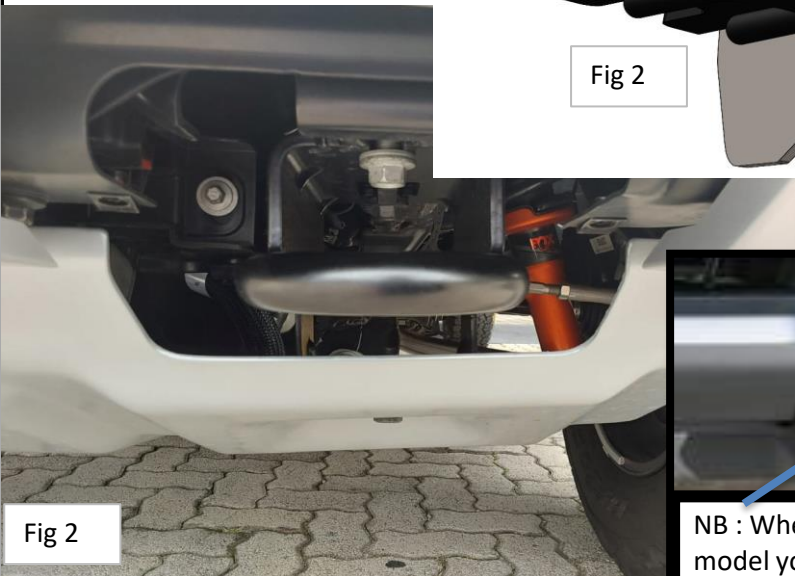
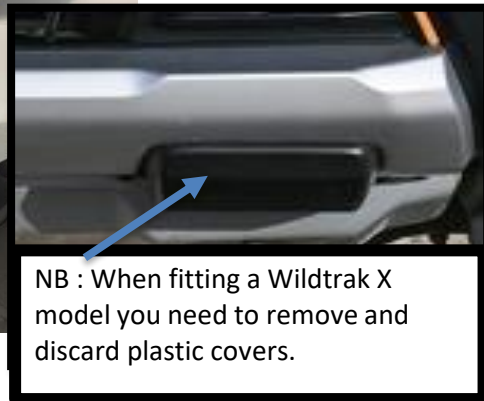


Fig 2



NB : When fitting a Wildtrak X model you need to remove and discard plastic covers.

Step #	Description/Method
1	Remove Plastic mud cover. Trim instructions are on Page 5. <b>NB : This does not apply to WILDTRAK X Models</b>
<b>NB : Plastic Cover will need to be installed back to the bumper before you begin fitment.</b>	
2	Loosen the bolts on the toweye. Do not remove it.
3	Slide the main chassis bracket(A) (Fig2) inbetween the tow and the chassis. Loosley tighten.
4	Repeat step 2 on the drivers side

## Fitment Instruction: Ranger nudge

Visual / Graphic Illustration

Step #

Description/Method

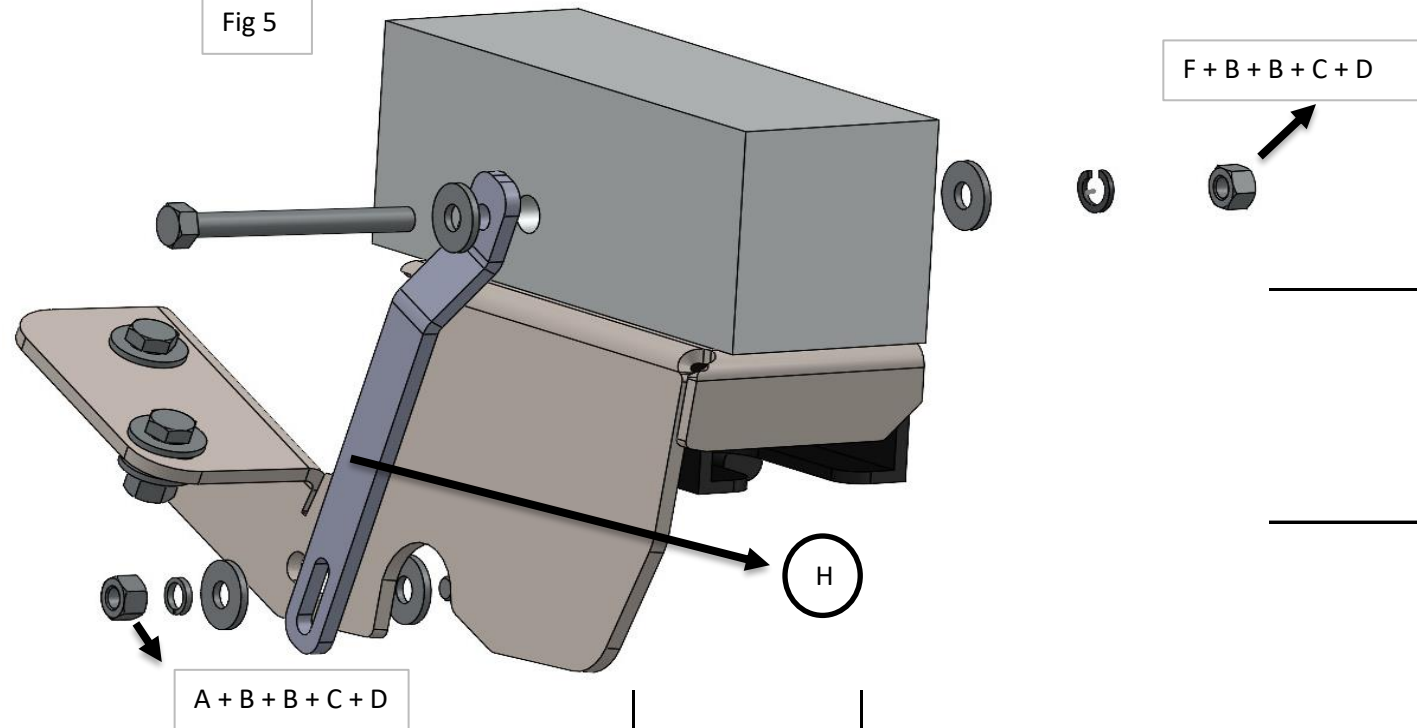
Fig 4



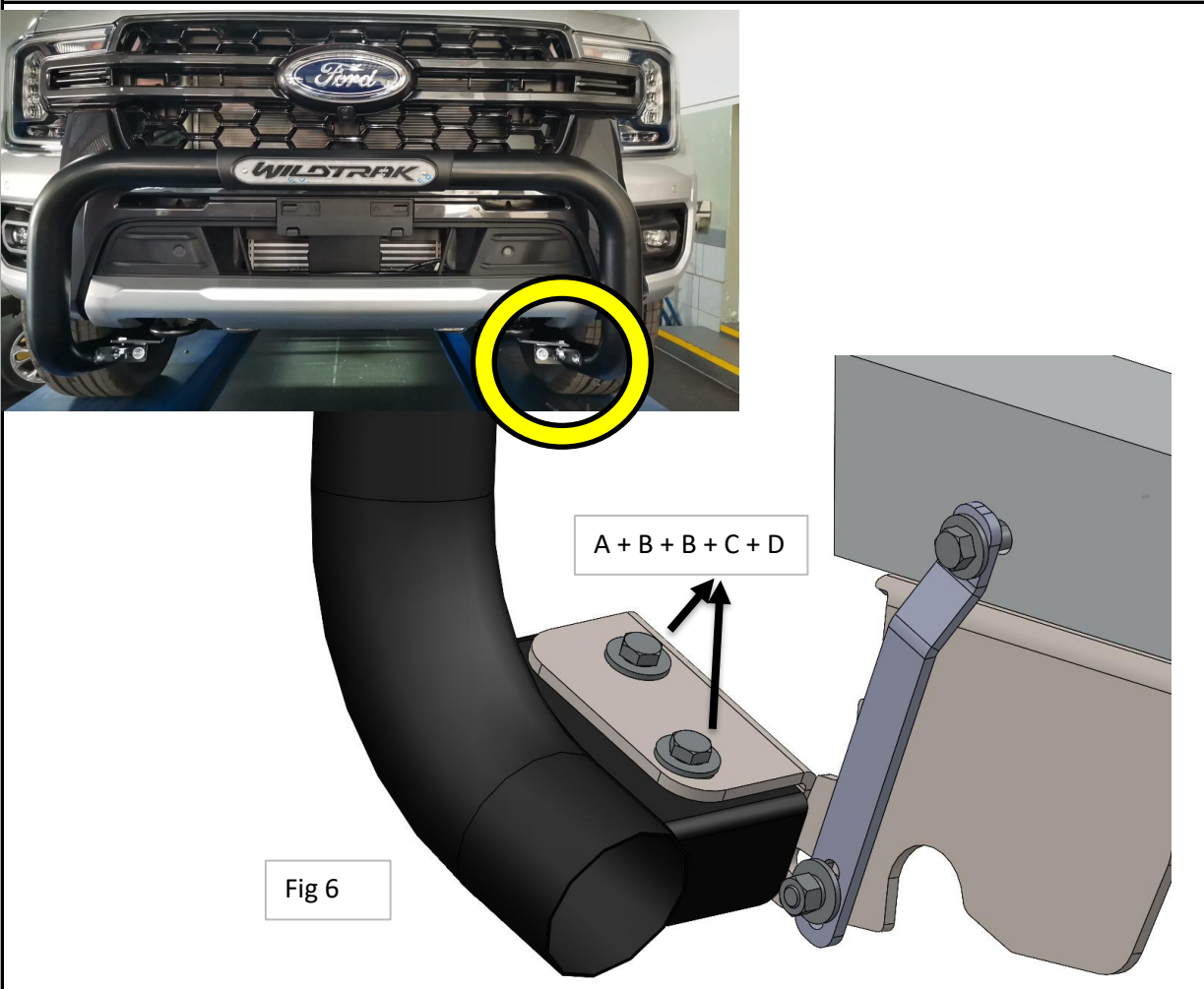
4

Loosely mount the side brace bracket(H) as shown in fig 4 and 5

Fig 5



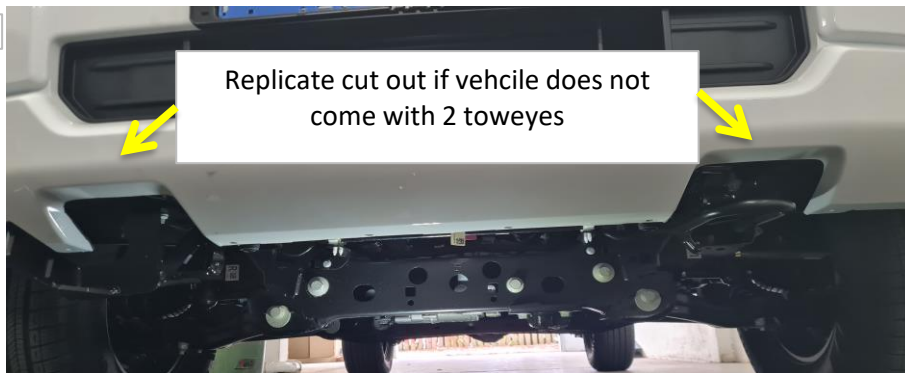
## Fitment Instruction: Ford Ranger nudge

Visual / Graphic Illustration	Step #	Description/Method
 <p style="text-align: center;">A+B+B+C+D</p> <p>Fig 6</p>	5	Loosely attach the nudge bar as shown in Fig 6.

## Fitment Instruction: Ford Ranger nudge

### Visual / Graphic Illustration

Fig. 7



### Step #

### Description/Method

5

Mark the outline for your trim as shown in Fig 8 and 9. This will allow the brackets to come through without obstruction.

**Trim mud cover as shown in Fig 8 and 9 and fit back to the bumper before you mount the bottom brackets.**

**NB: This does not apply to WILDTRAK X Models**

FIG 8

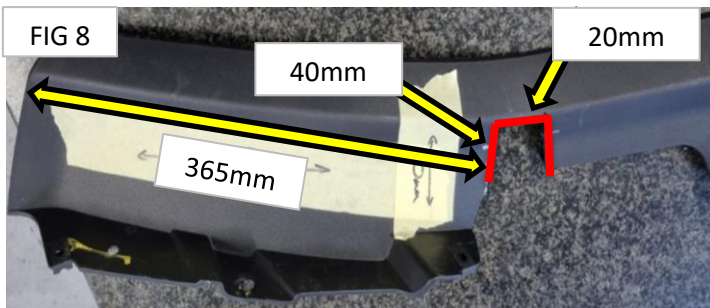


FIG 9



Make sure bar is centralised and tighten all fasteners to specified torque. M8= 22Nm , M10= 42Nm , M6= 9Nm.



Ensure that the bar is centralized with a 1 to 2 finger gap between the bar and the bumper. This will ensure that the PDC sensors don't get triggered.

