

# ACCESSORY FITMENT

**Product**

New VW Amarok PDC nudge bar Black

**Part no.**

250061-24 TN:512



60  
Minutes

Models : All

Page 1 of 6

Date :18/06/2024

**DIAGRAM**



**Kit content:**

	Qty	Description		Qty	Description
A	6	M10x30 sets		2	SIDE SUPPORT BRACKET
B	16	M10x30x2.5 Flat washers			
C	8	M10 Spring washers			
D	8	M10 Hex nuts			
E	8	M10 Plastic caps			
F	2	M10 x 100 set screws			
G	2	MAIN CHASSIS BRACKET			

**Additional equipment/Material needed for fitment :**

Qty		Description	Qty		Description
2		17 spanners			
1		17 socket and ratchet			

**Precautions during fitment:**

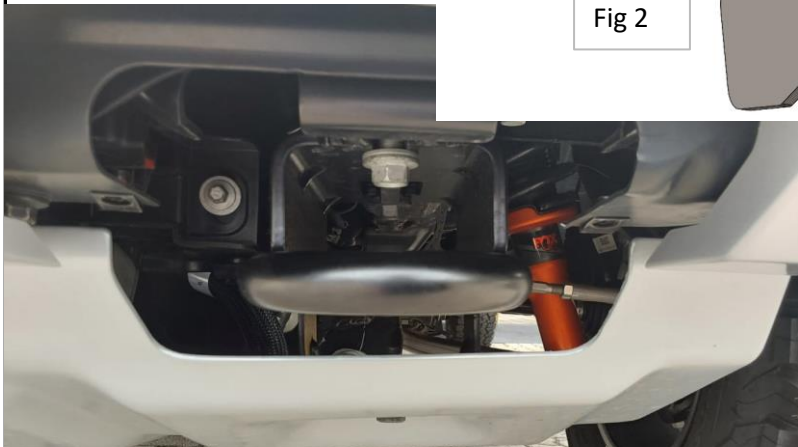
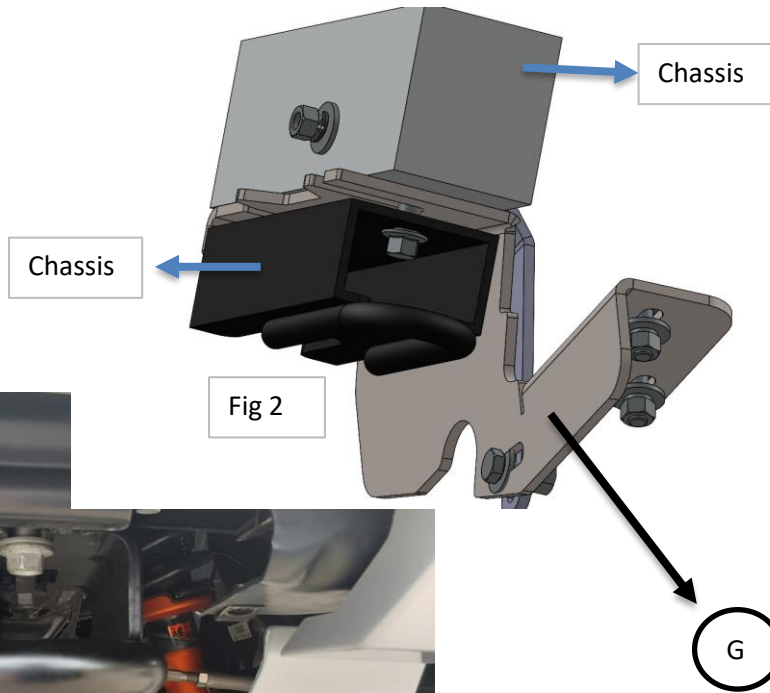
Wear correct PPE and dont scratch the vehicle during fitment.

**Directions for use:**

Read entire fitting instruction before you begin.

## Fitment Instruction: Ranger Nudge

Visual / Graphic Illustration



Step #

Description/Method

1

Remove Plastic under cover. Trim instructions are on Page 4

2

Loosen the bolts on the toweye. Do not remove it.

3

Slide the main chassis bracket(A) (Fig2) inbetween the tow and the chassis. Loosley tighten.

4

Repeat step 2 on the drivers side

**NB : Plastic Cover will need to be installed back to the bumper before you begin fitment.**

Fig 1

Fig 2

Fig 3

## Fitment Instruction: Ranger nudge

Visual / Graphic Illustration

Step #

Description/Method

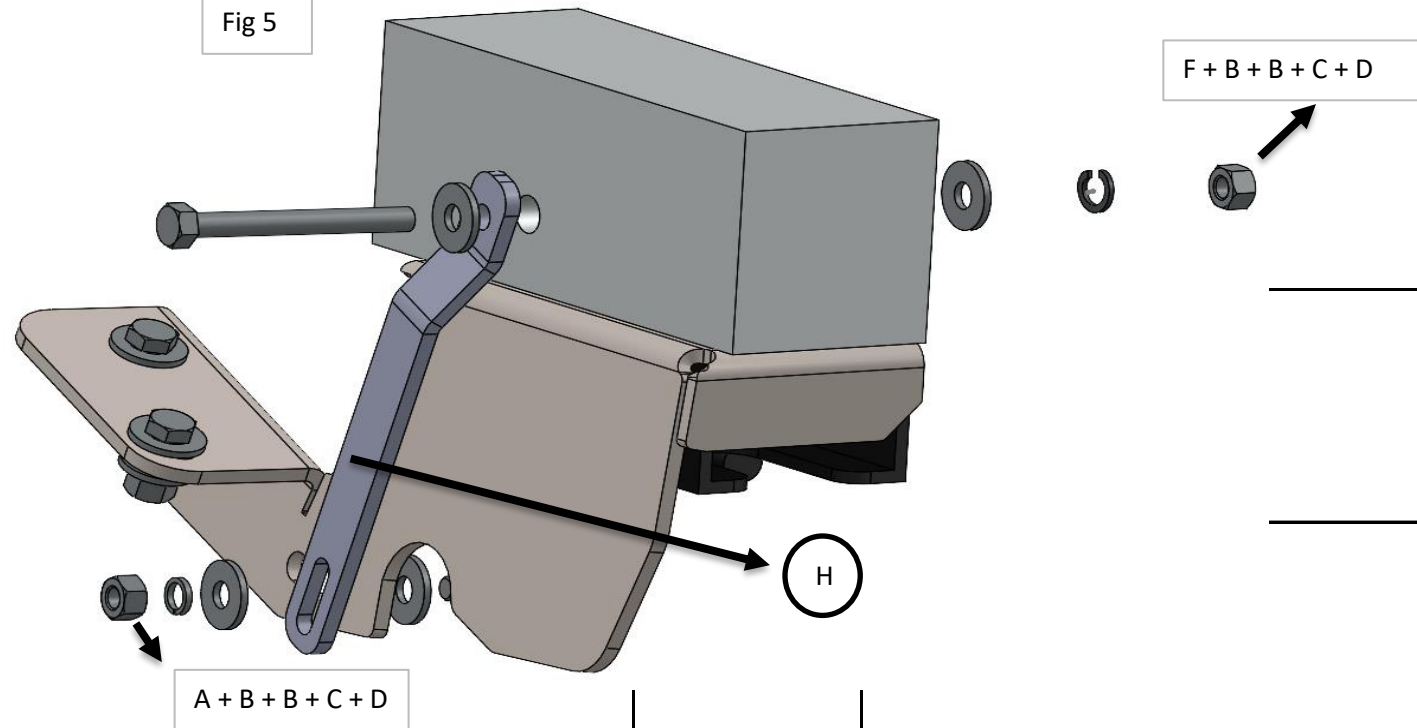
Fig 4



4

Loosely mount the side brace bracket(H) as shown in fig 4 and 5

Fig 5



## Fitment Instruction: Ford Ranger nudge

Visual / Graphic Illustration

Step #

Description/Method



5

Loosely attach the nudge bar as shown in Fig 6.

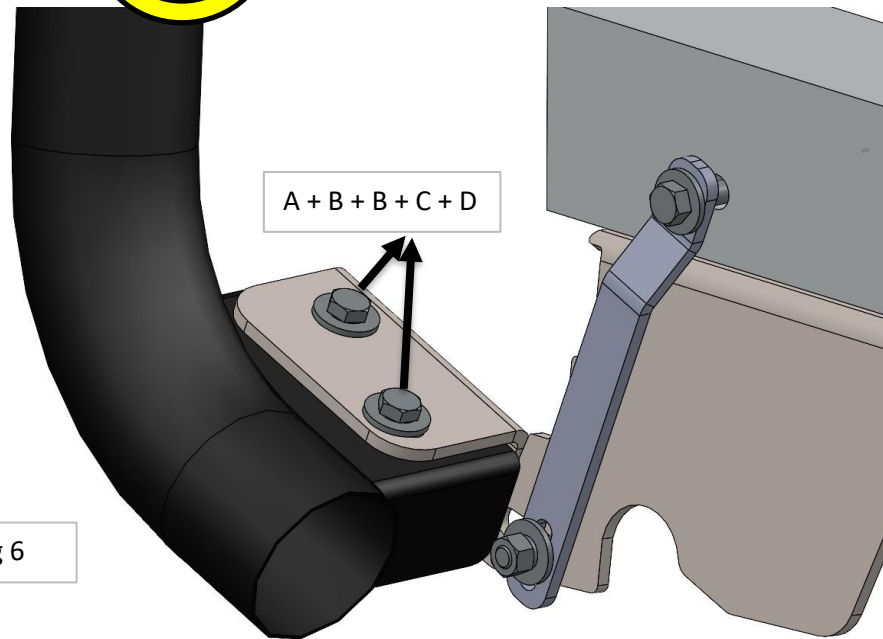


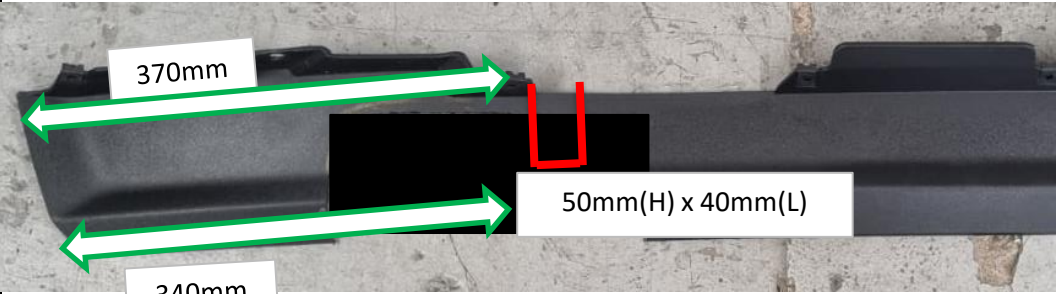
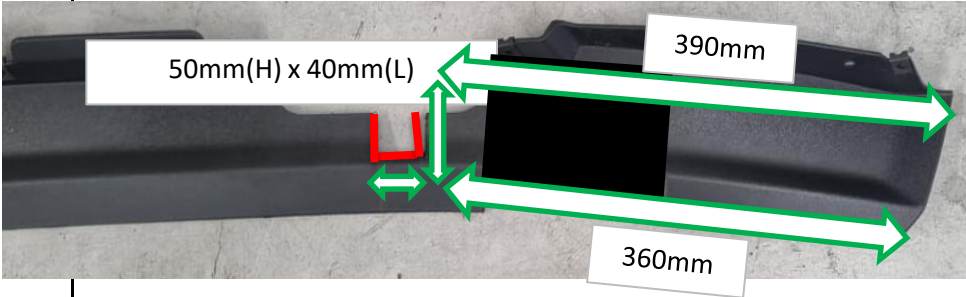


Fig 6

## Fitment Instruction: Ford Ranger nudge

Visual / Graphic Illustration	Step #	Description/Method
<div style="display: flex; justify-content: space-between; align-items: flex-start;"> <div style="width: 30%;"> <p>Fig. 7</p>  <p>Fig. 8</p>  <p>Fig. 10</p>  </div> <div style="width: 35%; border: 1px solid black; padding: 10px; text-align: center;"> <p><b>NB : After trimming the Plastic Cover you will need to install it back to the bumper before you begin the fitment.</b></p> </div> <div style="width: 30%; border: 1px solid black; padding: 10px; text-align: center;"> <p><b>NB : After trimming the Plastic Cover you will need to install it back to the bumper.</b></p> </div> </div>	<p>5</p>	<p>Mark the outline for your trim as shown in Fig 9 and 10. This will allow the brackets to come through without obstruction.</p>
	<p>Fig. 9</p>	

Make sure bar is centralised and tighten all fasteners to specified torque. M8= 22Nm , M10= 42Nm , M6= 9Nm.



Ensure that the bar is centralized with a 1 to 2 finger gap between the bar and the bumper. This will ensure that the PDC sensors don't get triggered.