

ACCESSORY FITMENT INSTRUCTION

Product

Foton Taxi

Part no.

135010-DFS TN : 599



60
Minutes

Models : 2024

Page 1 of 6

Date :04/12/2024

DIAGRAM



Kit content:

	Qty	Description		Qty	Description
A	4	M10x140 Bolts	H	6	M8 Hex nuts
B	8	M10x30x2.5 Flat washers	I	2	Top mount brackets (DS and PS)
C	4	M10 Spring washers	J	2	Bottom Mount brackets (DS and PS)
D	4	M10 Hex nuts	K	1	Nudge bar
E	6	M8x25 Sets			
F	12	M8x20x1.5 Flat washers			
G	6	M8 Spring washers			

Additional equipment/Material needed for fitment :

Qty		Ratchet and spanner set	Qty	
		Stanley knife / Hacksaw blade		
		Masking tape		

Precautions during fitment:

Ensure you have an adequate working space. Requires two people for fitment. Ensure that the correct tools are used with installation.

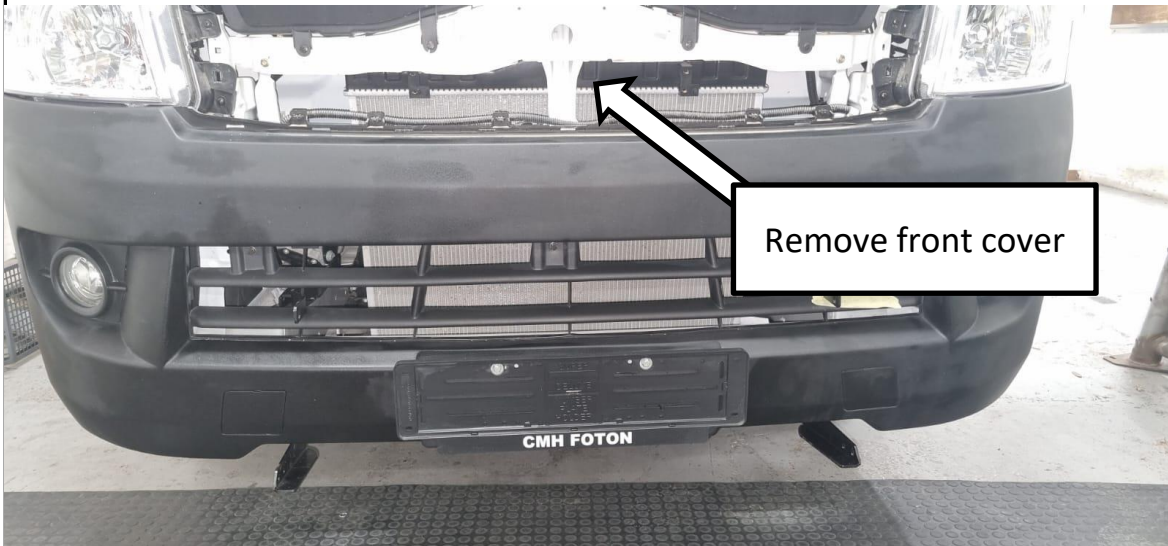
Directions for use:

Read through the fitting instructions carefully before installation.

Fitment Instruction: Foton Front Styling Bar

Visual / Graphic Illustration

FIG 1



Step #

Description/Method

1

Remove front Cover

Fitment Instruction: Foton Front Styling Bar

Visual / Graphic Illustration

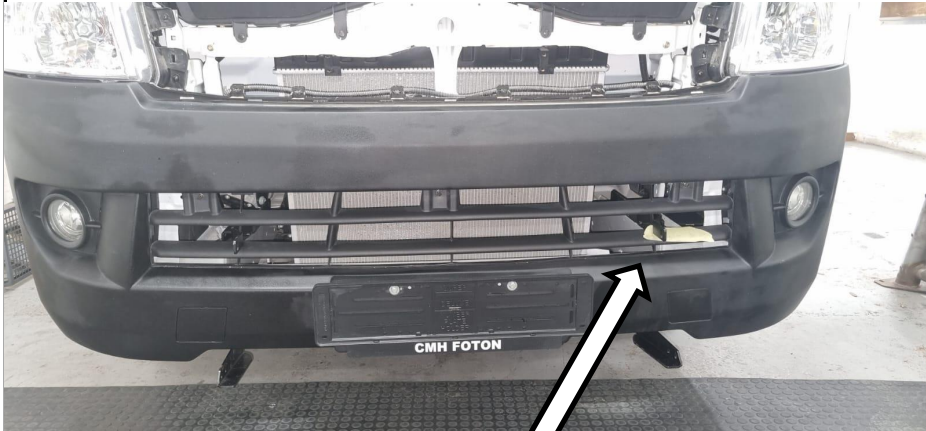
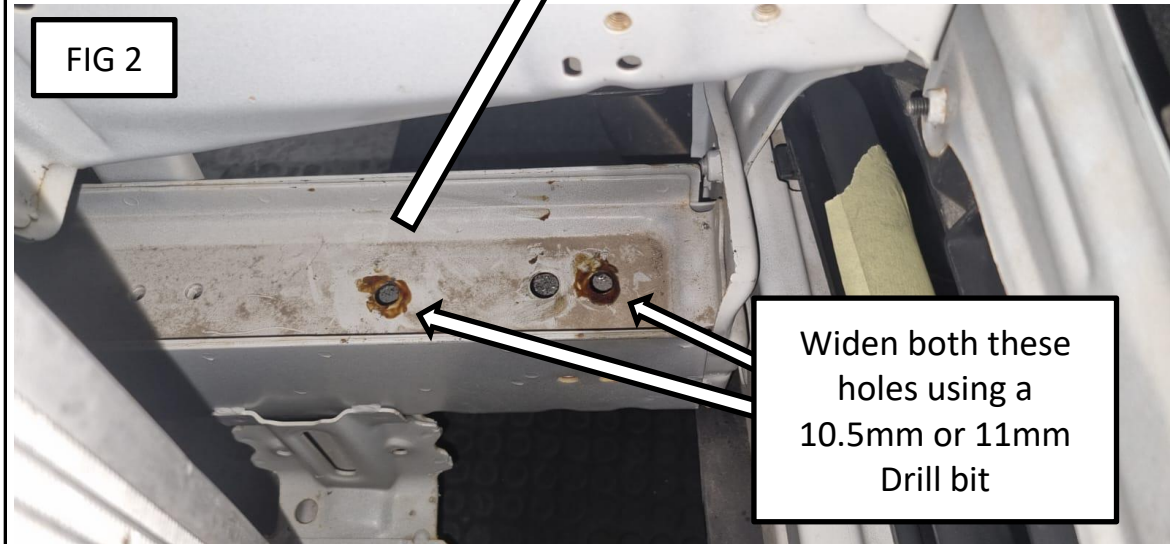


FIG 2



Widen both these holes using a 10.5mm or 11mm Drill bit

Step #

Description/Method

2

Drill and widen holes shown in Fig 2

3

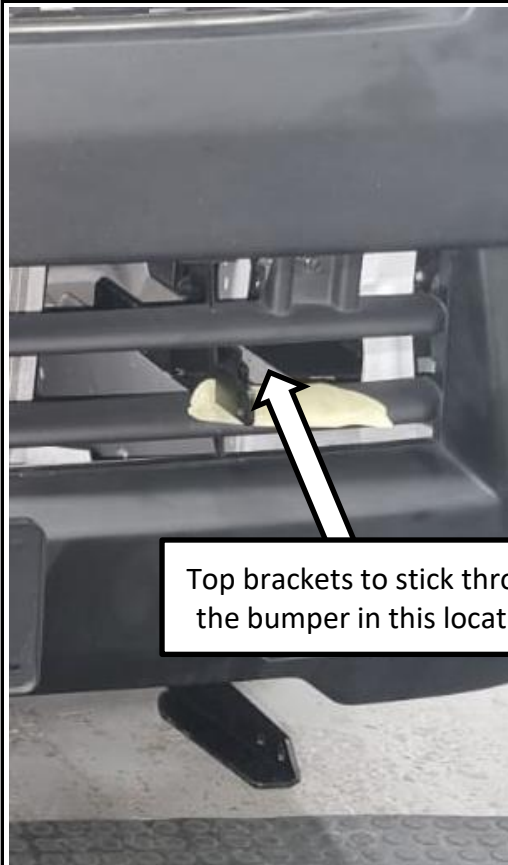
Apply Tectyle

4

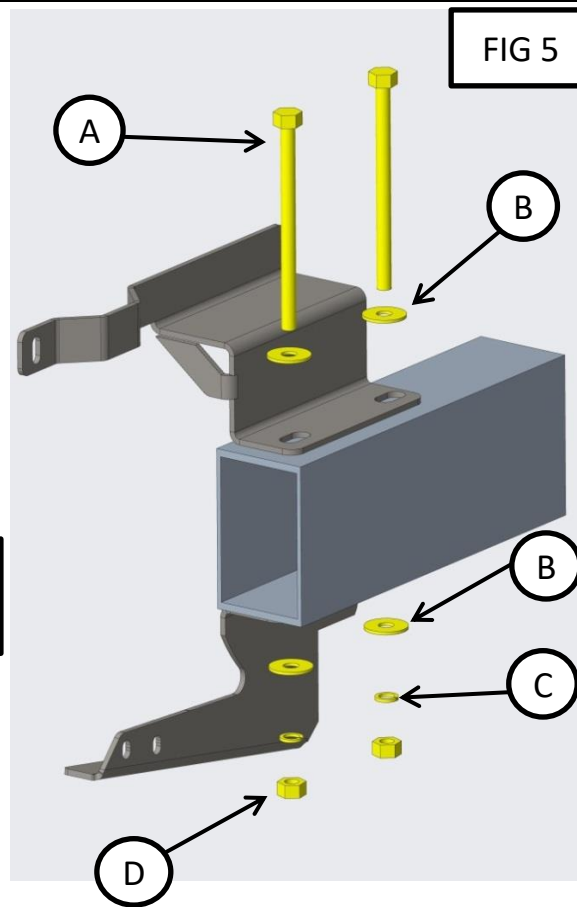
Repeat on Driver sides

Fitment Instruction: Foton Front Styling Bar

Visual / Graphic Illustration



Top brackets to stick through the bumper in this location.



Step #

Description/Method

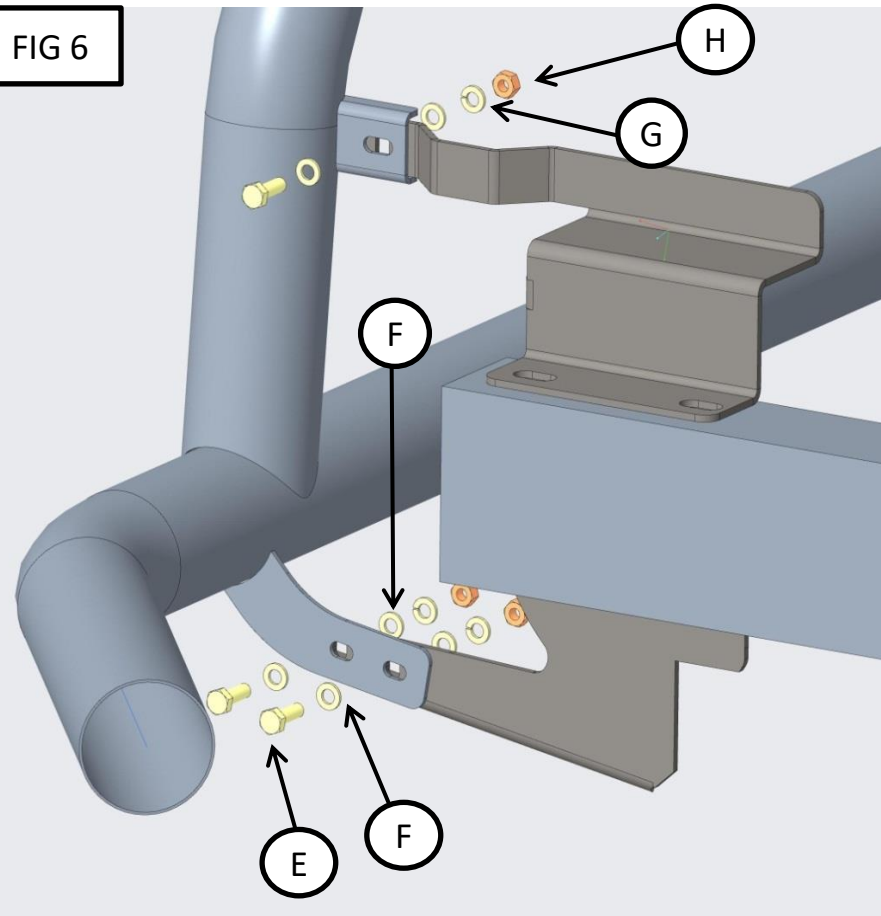
Tape up the area where the brackets stick out to avoid scratching the bumper. FIG 4.

Mount the brackets to the chassis as shown in FIG 5.



Fitment Instruction: Foton Front Styling Bar

Visual / Graphic Illustration



Step #

Description/Method

7

Mount the front styling bar to the brackets mounted in step 6 using the kit shown in FIG 6.

8

Mount the front cover back on.

