

ACCESSORY FITMENT

Product

Foton Tunland V7 PDC Nudge Bar

Part no.

135020T, BS-135020 TN : 637



60
Minutes

Models : DC

Page 1 of 6

Date : 27/10/2025

DIAGRAM

Kit content:



	Qty	Description		Qty	Description
A	4	M10 x 100 SETS	H	8	M10 HEX NUTS
B	2	M10 x 30 SETS	I	10	M10 SPRING WASHERS
C	4	M6 x 25 SETS	J	4	M8 SPRING WASHERS
D	4	M8 x 25 SETS	K	4	M6 SPRING WASHERS
E	14	M10 x 30 x 2 F/WASHERS	L	2	M8 PLASTIC CAPS
F	4	M8 x 22 x 2 F/WASHERS			
G	4	M6 x 16 F/WASHERS			

Additional equipment/Material needed for fitment :

Qty		Qty	
	Fitters Tool Box		

Precautions during fitment:

Do not damage the vehicle

Directions for use:

Read instructions



Fitment Instruction: Foton Tunland V7 PDC Nudge Bar

Visual / Graphic Illustration

Step #

Description/Method

Fig 1

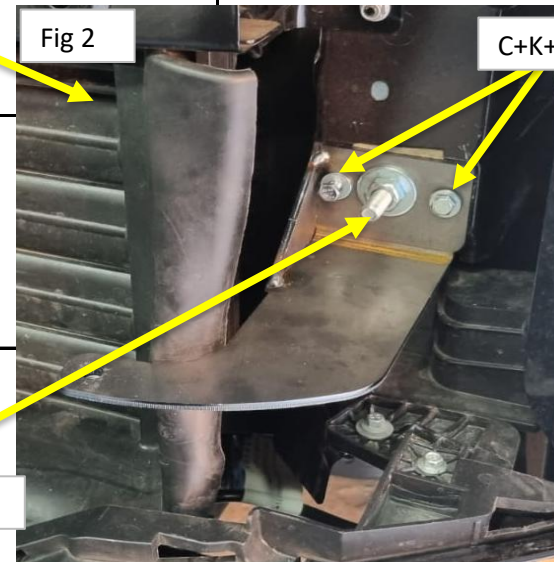


1

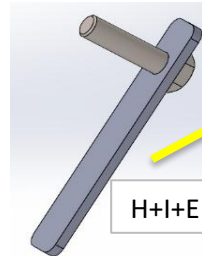
Remove the grill and have the top bracket fitted as shown below.

Fig 2



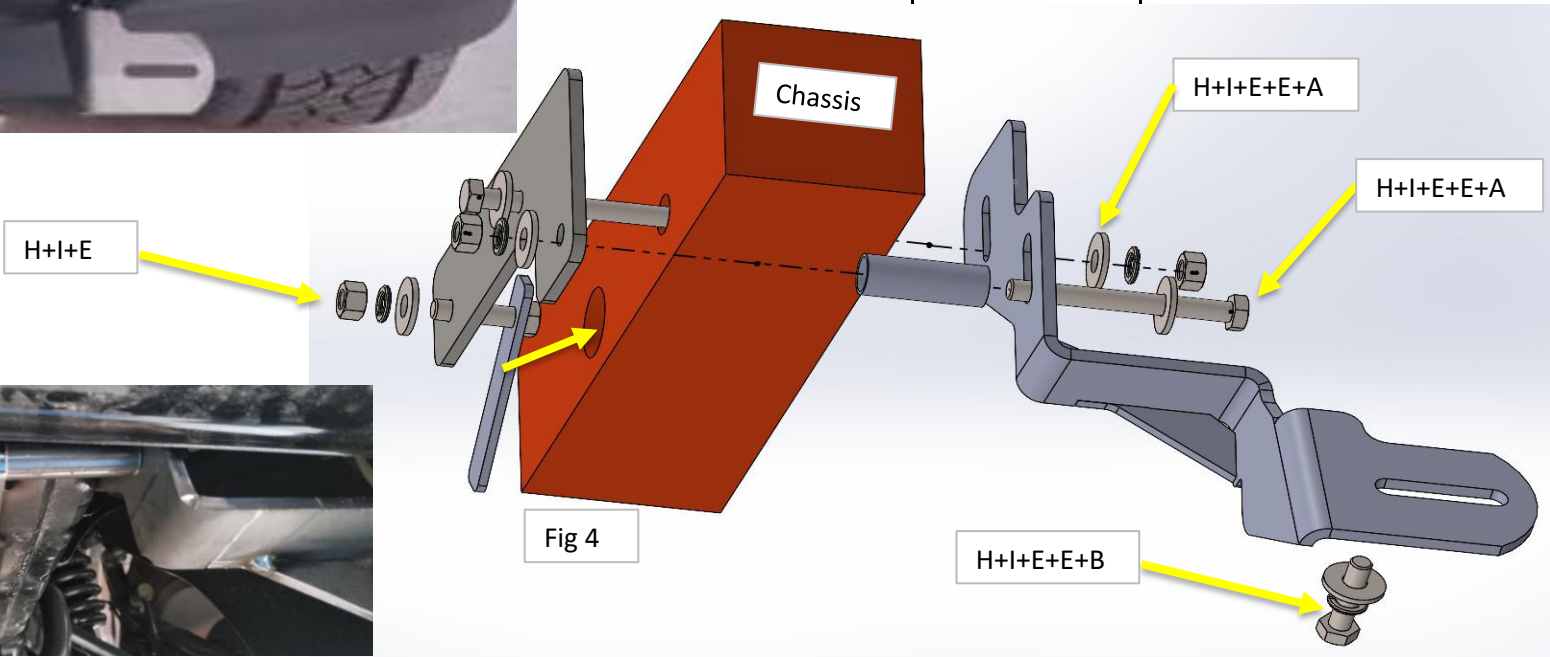
C+K+G





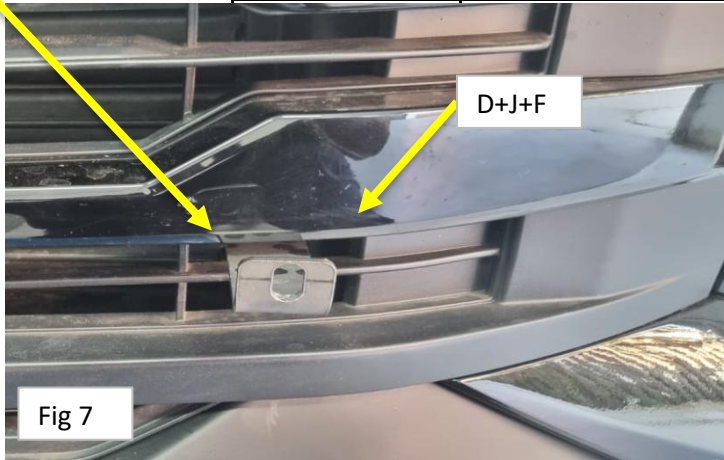
H+I+E



Fitment Instruction: Foton Tunland V7 PDC Nudge Bar

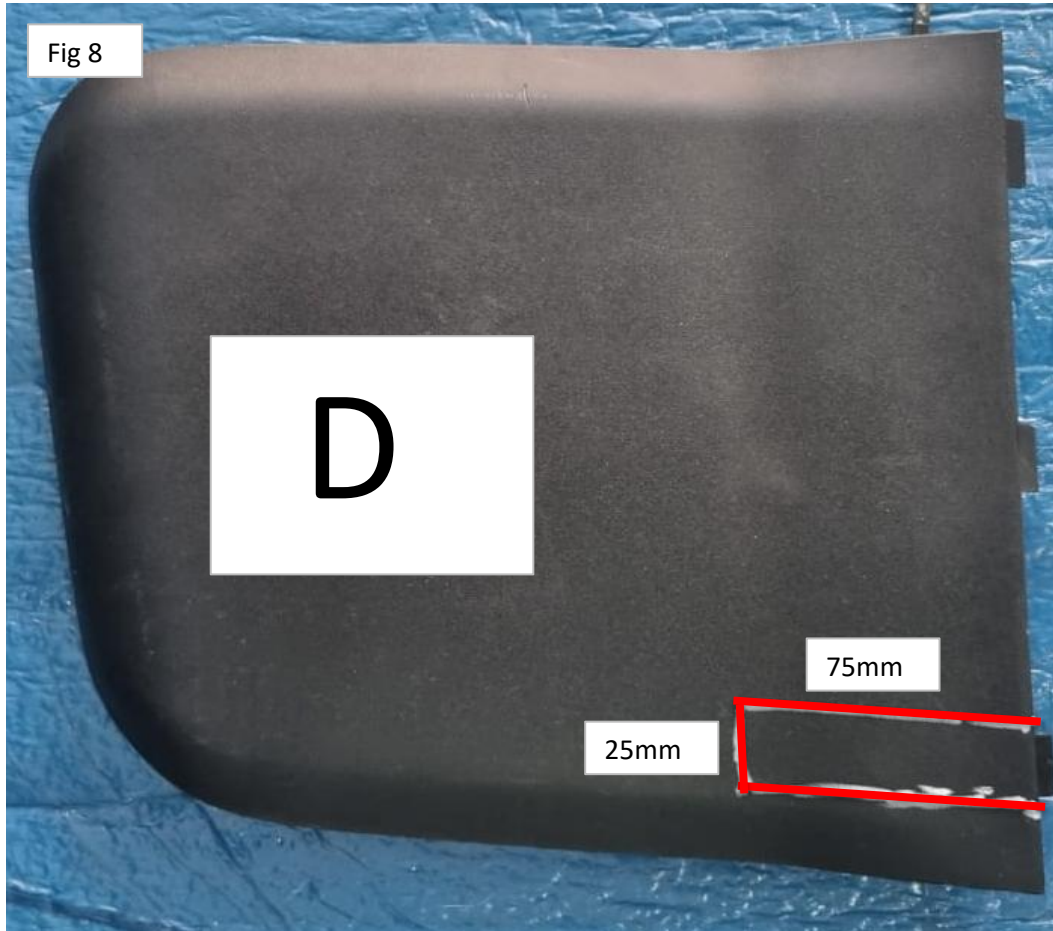
Visual / Graphic Illustration	Step #	Description/Method
 <p>Fig 3</p> <p>Passenger side</p>	2	Fig 4 shows the full assembly of the bottom brackets
 <p>Fig 5</p>		 <p>Fig 4</p> <p>Chassis</p> <p>H+I+E</p> <p>H+I+E+E+A</p> <p>H+I+E+E+A</p> <p>H+I+E+E+B</p>

Fitment Instruction: Foton Tunland V7 PDC Nudge Bar

Visual / Graphic Illustration	Step #	Description/Method
 <p>Fig 6</p>	3	<p>Loosley mount the top bolt on bracket onto the top bracket using the fasteners shown in Fig 7. Then place the grill back taking note of the exit positions of the bracket.</p>
 <p>Fig 6</p>	4	<p>Using the M10 fastners and the M8 fastners you can attach the nudge as shown in Fig6</p>
 <p>Fig 7</p> <p>D+J+F</p>		

Fitment Instruction:
Foton Tunland V7 PDC Nudge Bar

Visual / Graphic Illustration



Step #

Description/Method

5

Using the Image on the left, measure and trim the plastic as shown. Repeat the process on the Passenger side.

Make sure bar is centralised and tighten all fasteners to specified torque. M8= 22Nm , M10= 42Nm , M6= 9Nm.

